



Chipsmall Limited consists of a professional team with an average of over 10 year of expertise in the distribution of electronic components. Based in Hongkong, we have already established firm and mutual-benefit business relationships with customers from,Europe,America and south Asia,supplying obsolete and hard-to-find components to meet their specific needs.

With the principle of “Quality Parts,Customers Priority,Honest Operation,and Considerate Service”,our business mainly focus on the distribution of electronic components. Line cards we deal with include Microchip,ALPS,ROHM,Xilinx,Pulse,ON,Everlight and Freescale. Main products comprise IC,Modules,Potentiometer,IC Socket,Relay,Connector.Our parts cover such applications as commercial,industrial, and automotives areas.

We are looking forward to setting up business relationship with you and hope to provide you with the best service and solution. Let us make a better world for our industry!



## Contact us

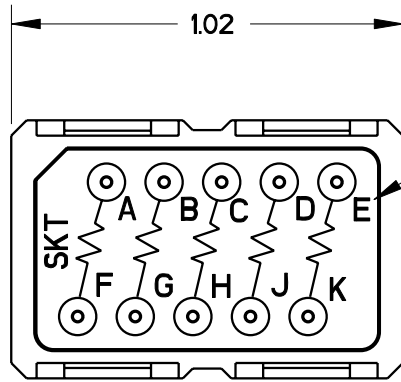
Tel: +86-755-8981 8866 Fax: +86-755-8427 6832

Email & Skype: info@chipsmall.com Web: www.chipsmall.com

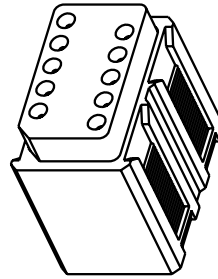
Address: A1208, Overseas Decoration Building, #122 Zhenhua RD., Futian, Shenzhen, China



REV	ECN	APP'D
A	5722	



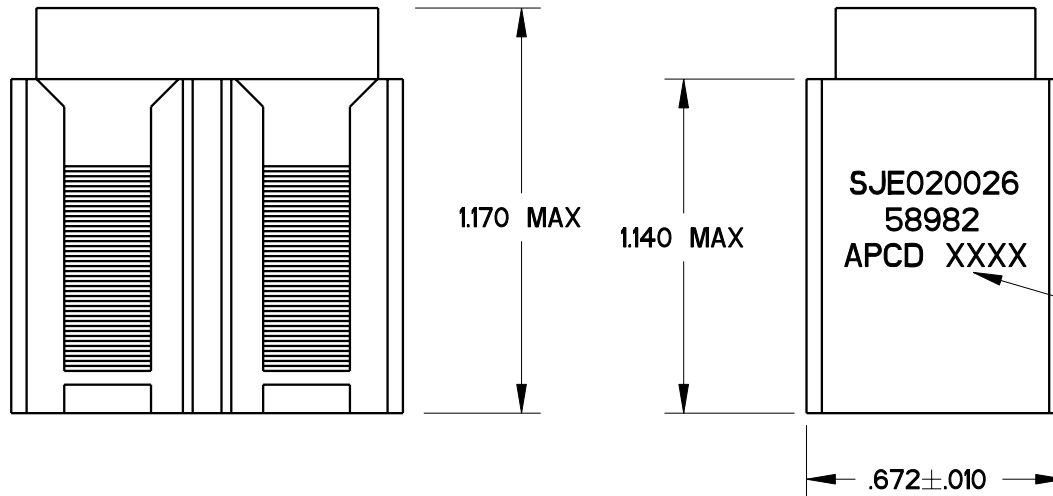
WHITE MARKING  
PER AW-2302



SCALE 1:1

NOTES:

- MATERIALS:  
 BODY: POLYETHERIMIDE PER MIL-P-46184.  
 GROMMET: SILICONE BLEND ELASTOMER.  
 DIODE: MIL-S-19500 (SEE TABLE)  
 INTERNAL PIN CONTACT:  
 COPPER ALLOY, HARD GOLD PLATE PER MIL-G-45204.
- PERFORMANCE SPECIFICATION PER MIL-T-81714.  
 (SUBJECT TO LIMITATIONS OF THE  
 ELECTRONIC COMPONENTS)  
 TEMPERATURE: -65°C TO 200°C.  
 INSULATION RESISTANCE: 5000 MEGOHMS MIN AT 25°C.  
 DIELECTRIC WITHSTANDING VOLTAGE:  
 1500 VRMS AT SEA LEVEL,  
 AND 200 VRMS AT 100,000 FT. ALTITUDE.  
 CURRENT RATING: 7.5A FOR SIZE 20 CONTACTS.  
 VIBRATION AND SHOCK: PER MIL-T-81714 PARA 3.5.8 & 9.
- MODULE ACCEPTS SOCKET CONTACTS (10) M39029/22-192.
- MODULE TO BE MOUNTED ON M81714/67 RAIL SYSTEM.



DATE CODE  
.06 HIGH MARKING  
COLOR: WHITE

<b>DIMENSIONS</b> ANSI Y14.5M UNITS: INCHES Pro/E FILE	<b>TOLERANCES</b> .XX ±0.01 .XXX ±0.005 ANGLES ±1.0°	<b>PROJECTION</b> 	<b>Amphenol Pcd</b> SPECIFICATION DRAWING		<b>ELECTRONIC MODULE</b> 51.1 OHM 1/8 W		
			DRWN J. TON 01/17/02	TITLE			
THIS DOCUMENT CONTAINS PROPRIETARY INFORMATION WHICH IS THE CONFIDENTIAL PROPERTY OF AMPHENOL PCD, BEVERLY, MA			ENGR A. PATRIE 1-14-02	SIZE A	DWG NO. SJE020026_C	REV A	
			APPD J. TON 1-14-02	CODE: 58982	SCALE: 2:1	SHEET 1 OF 1	