



Chipsmall Limited consists of a professional team with an average of over 10 year of expertise in the distribution of electronic components. Based in Hongkong, we have already established firm and mutual-benefit business relationships with customers from,Europe,America and south Asia,supplying obsolete and hard-to-find components to meet their specific needs.

With the principle of "Quality Parts,Customers Priority,Honest Operation,and Considerate Service",our business mainly focus on the distribution of electronic components. Line cards we deal with include Microchip,ALPS,ROHM,Xilinx,Pulse,ON,Everlight and Freescale. Main products comprise IC,Modules,Potentiometer,IC Socket,Relay,Connector.Our parts cover such applications as commercial,industrial, and automotives areas.

We are looking forward to setting up business relationship with you and hope to provide you with the best service and solution. Let us make a better world for our industry!



Contact us

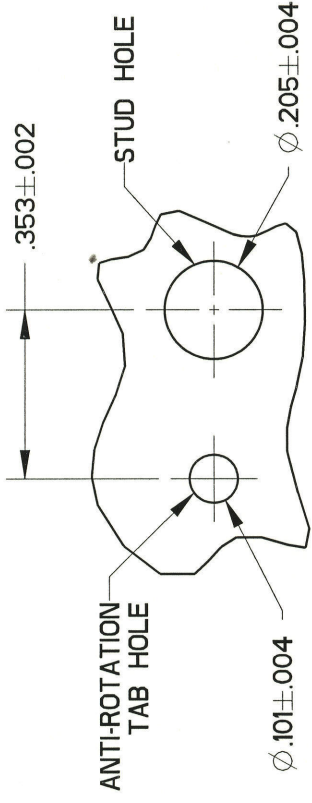
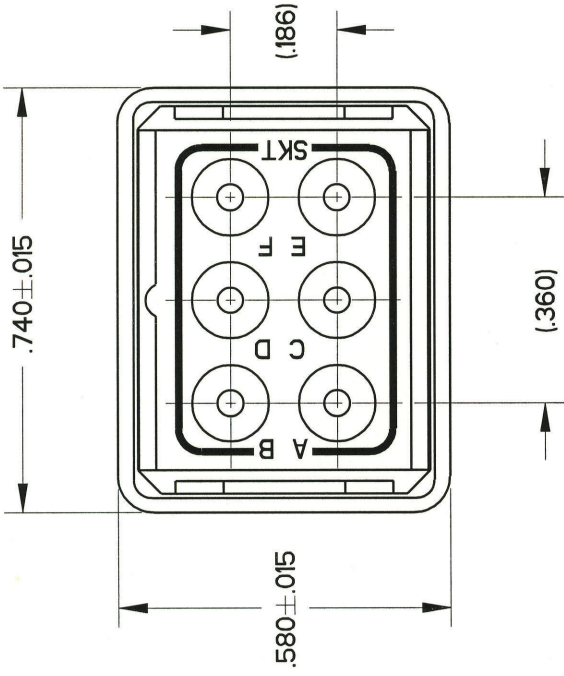
Tel: +86-755-8981 8866 Fax: +86-755-8427 6832

Email & Skype: info@chipsmall.com Web: www.chipsmall.com

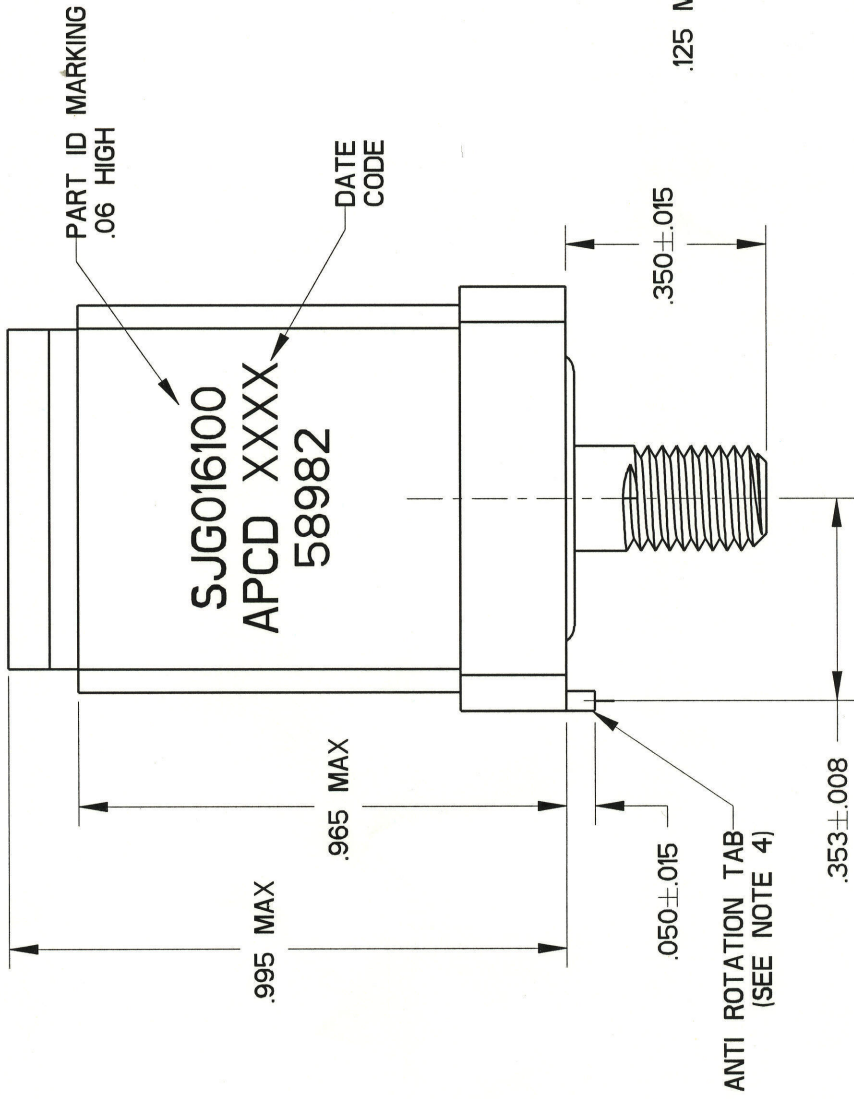
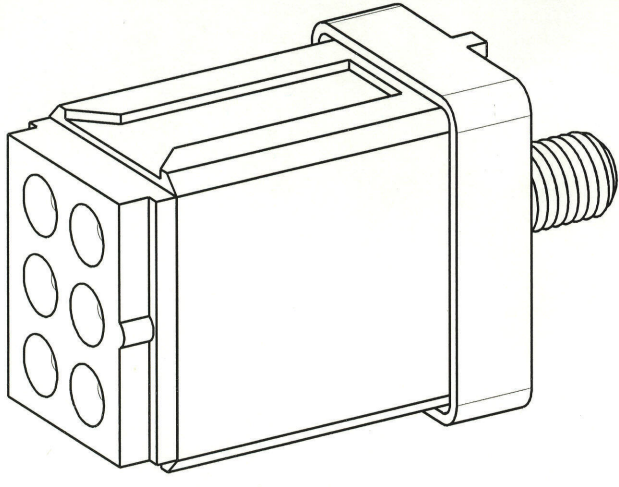
Address: A1208, Overseas Decoration Building, #122 Zhenhua RD., Futian, Shenzhen, China



REV	ECN	APP'D
J	5968	<i>[Signature]</i>



MOUNTING HOLE CONFIGURATION



PART ID MARKING
.06 HIGH

DATE CODE

SJG016100
APCD XXXX
58982

ANTI ROTATION TAB
(SEE NOTE 4)

- NOTES:
- PART MEETS ALL REQUIREMENTS OF MIL-T-81714/63
 - MATERIALS:
GROMMET - SILICONE RUBBER PER A-A-59588
BODY - POLYETHERIMIDE PER ASTM-D-5205
SHELL/STUD - COPPER ALLOY, GOLD PLATED PER SAE-AMS-2422
CONTACT RETAINER CLIPS - STAINLESS STEEL PER ASTM-A666
 - PART ACCEPTS M39029/22-193 SOCKET CONTACTS. SEE TABLE

APCD P/N	SUPPLIED	MARKING
SJG016100	SKTS / PLUGS	APCD PART NO.
SJG016101	7	2
	-	SJG016100

Amphenol Pcd

SPECIFICATION DRAWING

DRWN R. SWAINE 10/2/06

ENGR *[Signature]* 10/3/06

APPD *[Signature]* 10-4-06

DIMENSIONS	TOLERANCES	PROJECTION
ANSI Y14.5M UNITS: INCHES Pro/E FILE	.XX ±0.01 .XXX ±0.005 ANGLES ±2.0°	
ORIGINAL	THIS DOCUMENT CONTAINS PROPRIETARY INFORMATION WHICH IS THE CONFIDENTIAL PROPERTY OF AMPHENOL PCD INC., PEABODY, MA	

HARDWARE / SOCKET CONTACT BOM	DESCRIPTION	QTY.
200001201	FLAT WASHER, #10	1
200008201	HEX NUT, #10-32	1
200008301	LOCK WASHER, #10	1
CNS072900	M39029/22-193, CONTACT SZ 16/16	7
CNA032402	SEALING PLUG, SZ 16, MS27488-16-1	2

TITLE		SIZE	DWG NO.	REV
SJG, SIZE 16 GROUND MODULE TIN PLATED		B		J
CODE: 58982	SCALE: 2:1	SHEET 1	OF 1	