



Chipsmall Limited consists of a professional team with an average of over 10 year of expertise in the distribution of electronic components. Based in Hongkong, we have already established firm and mutual-benefit business relationships with customers from,Europe,America and south Asia,supplying obsolete and hard-to-find components to meet their specific needs.

With the principle of “Quality Parts,Customers Priority,Honest Operation,and Considerate Service”,our business mainly focus on the distribution of electronic components. Line cards we deal with include Microchip,ALPS,ROHM,Xilinx,Pulse,ON,Everlight and Freescale. Main products comprise IC,Modules,Potentiometer,IC Socket,Relay,Connector.Our parts cover such applications as commercial,industrial, and automotives areas.

We are looking forward to setting up business relationship with you and hope to provide you with the best service and solution. Let us make a better world for our industry!



## Contact us

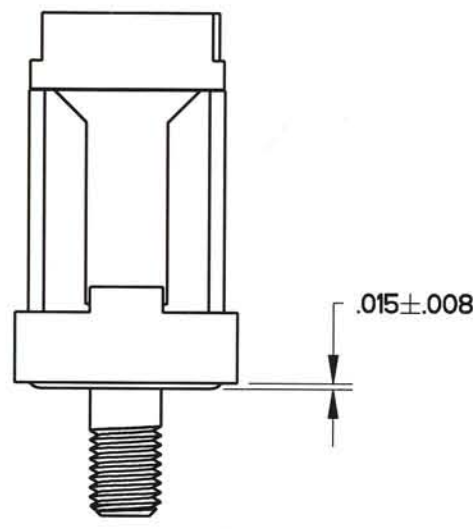
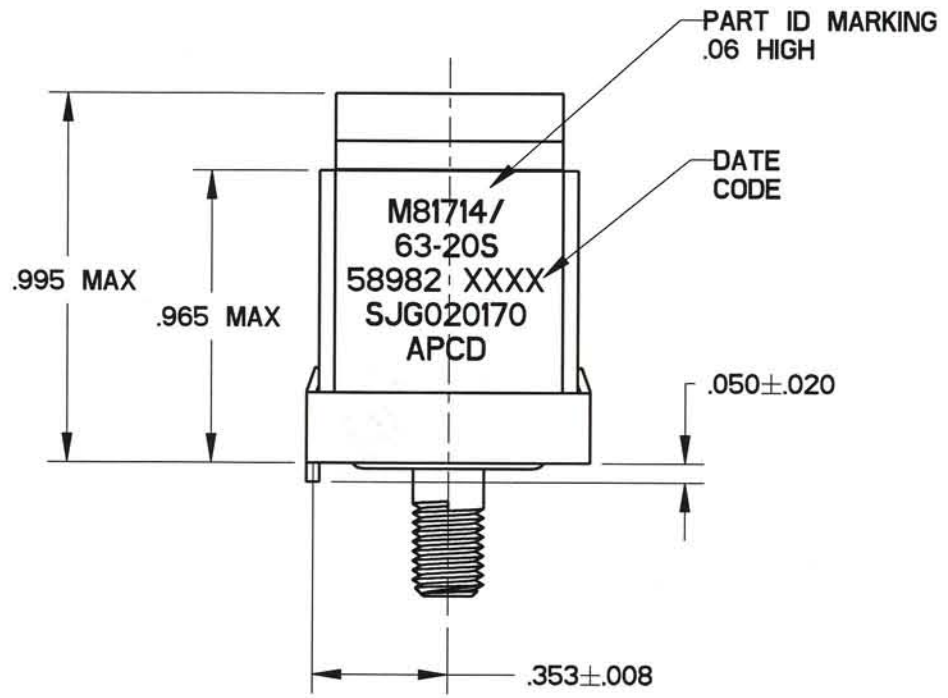
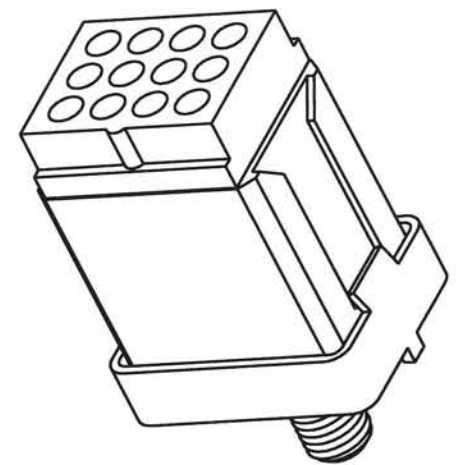
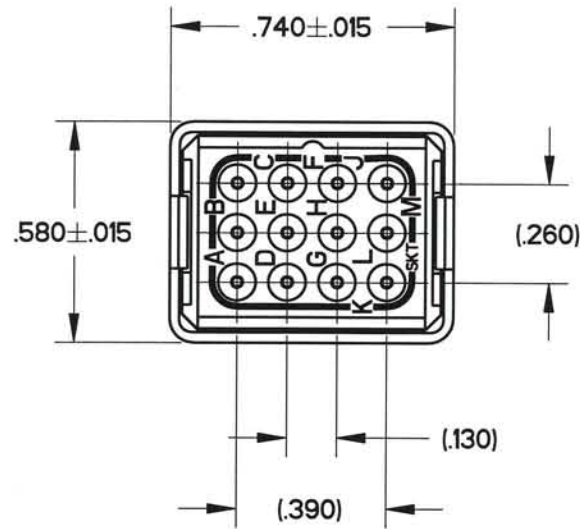
Tel: +86-755-8981 8866 Fax: +86-755-8427 6832

Email & Skype: info@chipsmall.com Web: www.chipsmall.com

Address: A1208, Overseas Decoration Building, #122 Zhenhua RD., Futian, Shenzhen, China



REV	ECN	APP'D
G	5839	4-14-06



- NOTES:
- MATERIALS:  
 BODY: POLYETHERIMIDE PER MIL-P-46184.  
 GROMMET: SILICONE BLEND ELASTOMER.  
 CONTACT RETAINERS: STAINLESS STEEL.  
 SHELL/STUD: COPPER ALLOY, GOLD PLATE PER MIL-G-45204  
 MOUNTING HARDWARE (SUPPLIED SEPARATELY):  
 STEEL, CADMIUM FINISH PER QQ-P-416
  - PERFORMANCE SPECIFICATIONS:  
 OPERATING TEMP: -65° TO 200°C  
 INSULATION RESISTANCE: 5000 MEGOHMS MIN @ 25°C  
 DIELECTRIC WITHSTANDING VOLTAGE: 1500 VRMS AT SEA LEVEL AND 200 VRMS AT 110,000 FT. ALTITUDE.  
 CURRENT RATING: 7.5 AMPS  
 VIBRATION AND SHOCK: PER MIL-T-81714, PARAGRAPH 3.5.5 AND 3.5.8.
  - MODULE ACCEPTS M39029/22-192 CONTACT AND MS27488-20 SEALING PLUG. (SEE TABLE)

APCD P/N	SUPPLIED		MARKING	
	SKTS	PLUGS	APCD PART NO.	MIL. NO.
SJG020170	13	2	SJG020170	M81714/63-20S
SJG020171	-	-		

HARDWARE / SOCKET CONTACT BOM		
APCD P/N	DESCRIPTION	QTY.
200001201	FLAT WASHER, #10	1
200008251	HEX NUT 10-32 CRS SJG	1
200008301	LOCK WASHER, INT TOOTH, #10	1
CNS070900	M39029/22-192 CONTACT SZ 20/20	13
CNA032401	SEALING PLUG, SZ 20, RED	2

DIMENSIONS ANSI Y14.5M UNITS: INCHES Pro/E FILE	TOLERANCES .XX ±0.01 .XXX ±0.005 ANGLES ±2.0°	PROJECTION 	<b>Amphenol Pcd</b> SPECIFICATION DRAWING ENGR R. SWAINE 03/16/06		TITLE SJG GOLD PLATED SIZE 20		
			ORIGINAL 	THIS DOCUMENT CONTAINS PROPRIETARY INFORMATION WHICH IS THE CONFIDENTIAL PROPERTY OF AMPHENOL PCD INC., PEABODY, MA		CHKD 4-14-06	APP'D 4-14-06

SJG020170

SJG020170