



Chipsmall Limited consists of a professional team with an average of over 10 year of expertise in the distribution of electronic components. Based in Hongkong, we have already established firm and mutual-benefit business relationships with customers from,Europe,America and south Asia,supplying obsolete and hard-to-find components to meet their specific needs.

With the principle of “Quality Parts,Customers Priority,Honest Operation,and Considerate Service”,our business mainly focus on the distribution of electronic components. Line cards we deal with include Microchip,ALPS,ROHM,Xilinx,Pulse,ON,Everlight and Freescale. Main products comprise IC,Modules,Potentiometer,IC Socket,Relay,Connector.Our parts cover such applications as commercial,industrial, and automotives areas.

We are looking forward to setting up business relationship with you and hope to provide you with the best service and solution. Let us make a better world for our industry!



Contact us

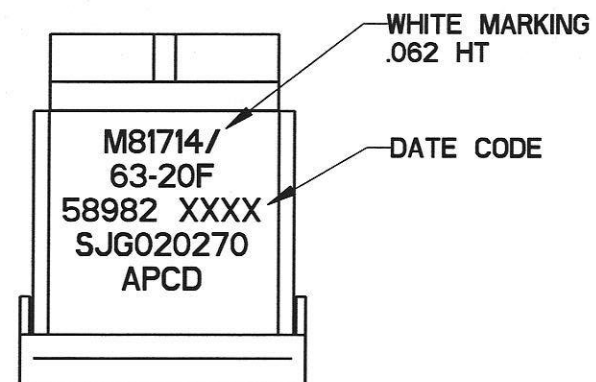
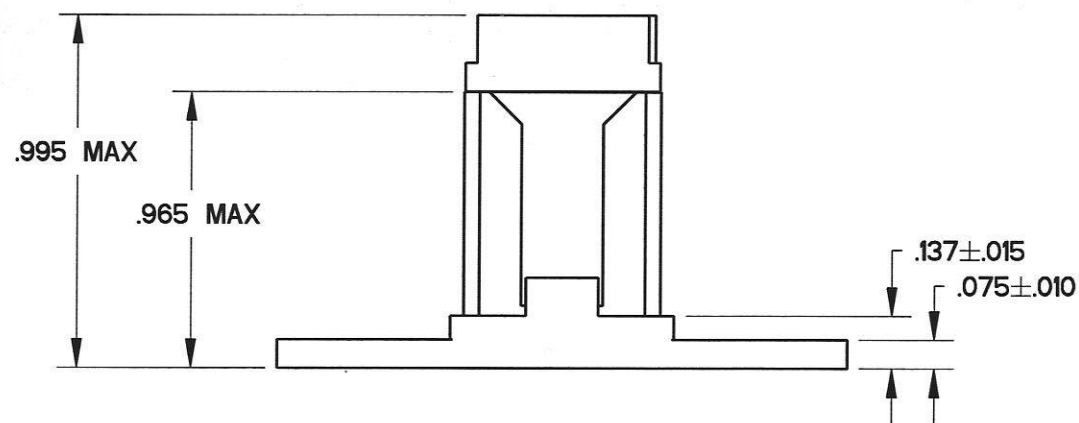
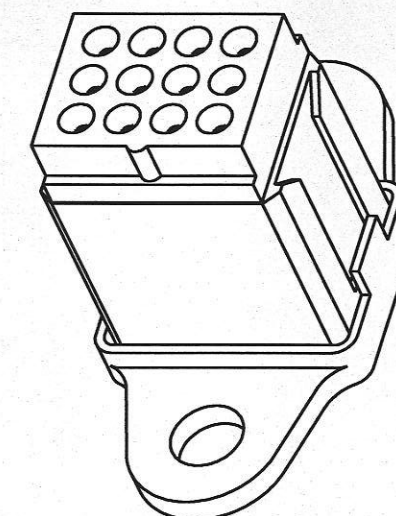
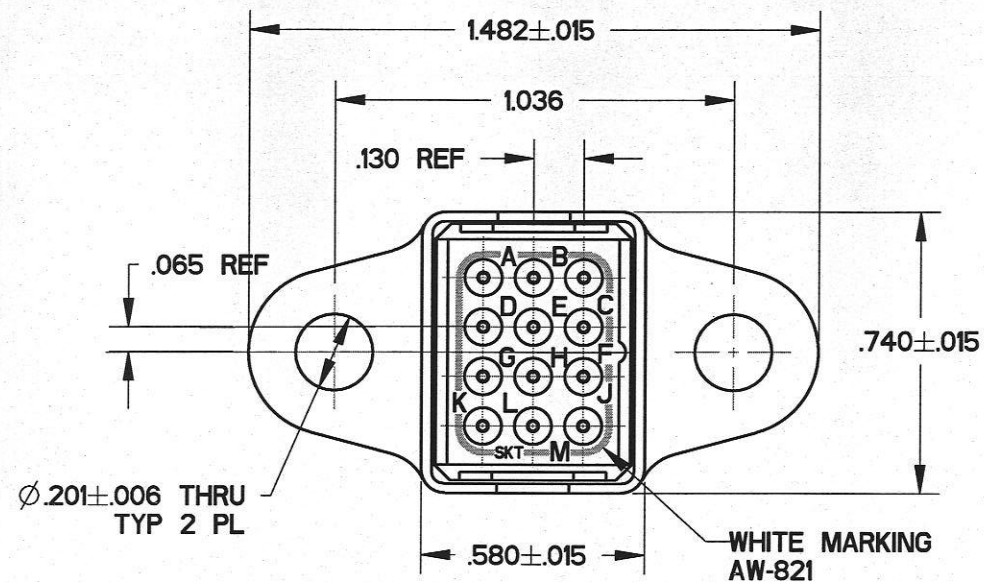
Tel: +86-755-8981 8866 Fax: +86-755-8427 6832

Email & Skype: info@chipsmall.com Web: www.chipsmall.com

Address: A1208, Overseas Decoration Building, #122 Zhenhua RD., Futian, Shenzhen, China



| REV | ECN | APP'D |
|-----|------|---------|
| B | 6024 | 4-12-07 |



- NOTES:
- PART MEETS ALL REQUIREMENTS OF MIL-T-81714/63
 - MATERIALS:
GROMMET - SILICONE RUBBER PER A-A-59588
BODY - POLYETHERIMIDE PER ASTM-D-5205
SHELL/STUD - COPPER ALLOY, GOLD PLATED PER SAE-AMS-2422
CONTACT RETAINER CLIPS - STAINLESS STEEL PER ASTM-A666
 - PART ACCEPTS M39029/22-192 SOCKET CONTACTS. SEE TABLE

| APCD P/N | SUPPLIED | | MARKING |
|-----------|----------|-------|---------------|
| | SKTS | PLUGS | APCD PART NO. |
| SJG020270 | 13 | 2 | SJG020270 |
| SJG020271 | - | - | |

| | | | | | | | | |
|---|---|-----------------------|--|------------------------------------|------------|---|----------|--|
| DIMENSIONS ANSI Y14.5M UNITS: INCHES Pro/E FILE | TOLERANCES .XX ±0.01 .XXX ±0.005 ANGLES ±2.0° | PROJECTION | Amphenol Pcd SPECIFICATION DRAWING | | | TITLE SJG, SIZE 20 GROUNDING MODULE GOLD PLATED | | |
| | | | DRWN R. SWAINE 02/15/07 | ENGR <i>[Signature]</i> 4/12/07 | SIZE B | DWG NO. SJG020270 | REV B | |
| ORIGINAL | THIS DOCUMENT CONTAINS PROPRIETARY INFORMATION WHICH IS THE CONFIDENTIAL PROPERTY OF AMPHENOL PCD INC., PEABODY, MA | | | CODE: 58982 | SCALE: 2:1 | SHEET 1 OF 1 | | |

SJG020270

SJG020270