



Chipsmall Limited consists of a professional team with an average of over 10 year of expertise in the distribution of electronic components. Based in Hongkong, we have already established firm and mutual-benefit business relationships with customers from,Europe,America and south Asia,supplying obsolete and hard-to-find components to meet their specific needs.

With the principle of “Quality Parts,Customers Priority,Honest Operation,and Considerate Service”,our business mainly focus on the distribution of electronic components. Line cards we deal with include Microchip,ALPS,ROHM,Xilinx,Pulse,ON,Everlight and Freescale. Main products comprise IC,Modules,Potentiometer,IC Socket,Relay,Connector.Our parts cover such applications as commercial,industrial, and automotives areas.

We are looking forward to setting up business relationship with you and hope to provide you with the best service and solution. Let us make a better world for our industry!



## Contact us

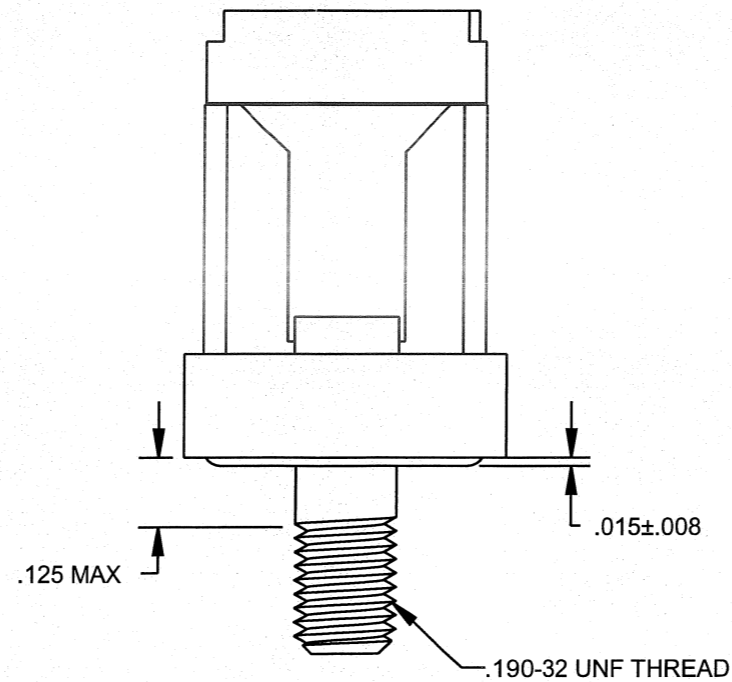
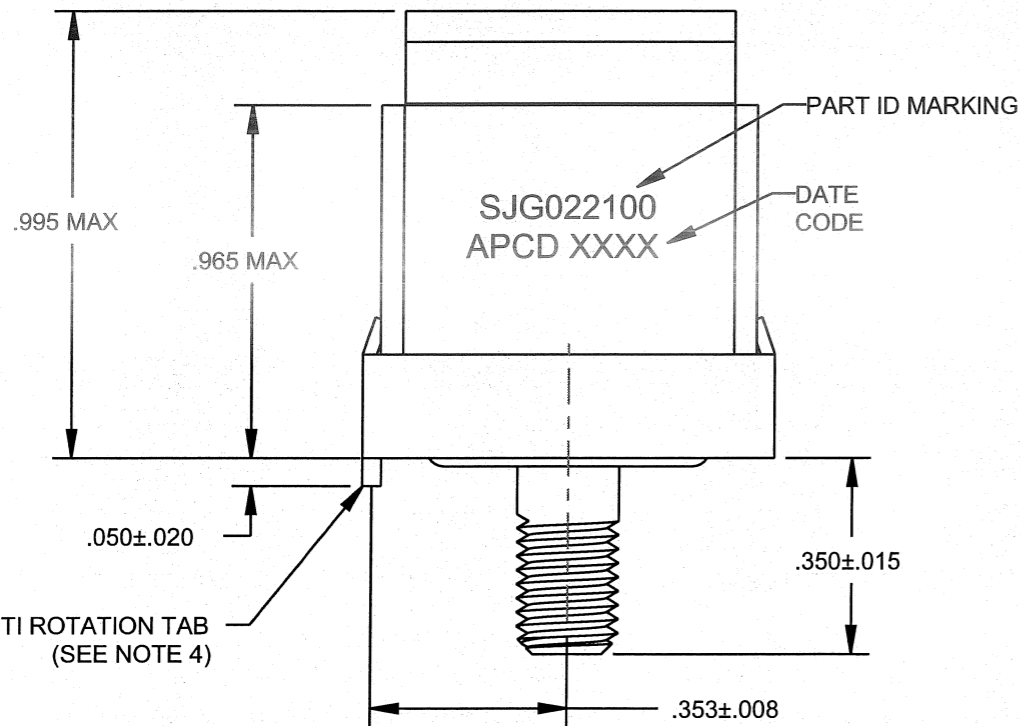
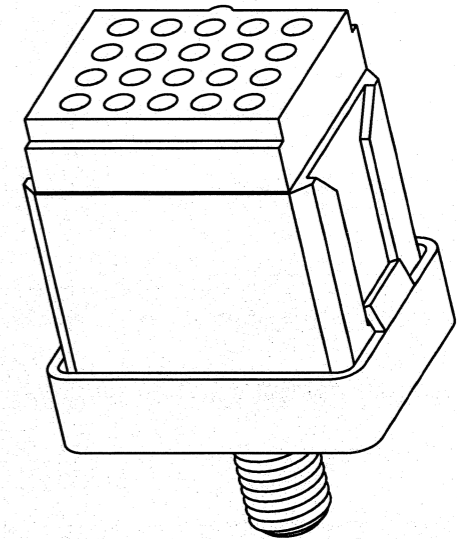
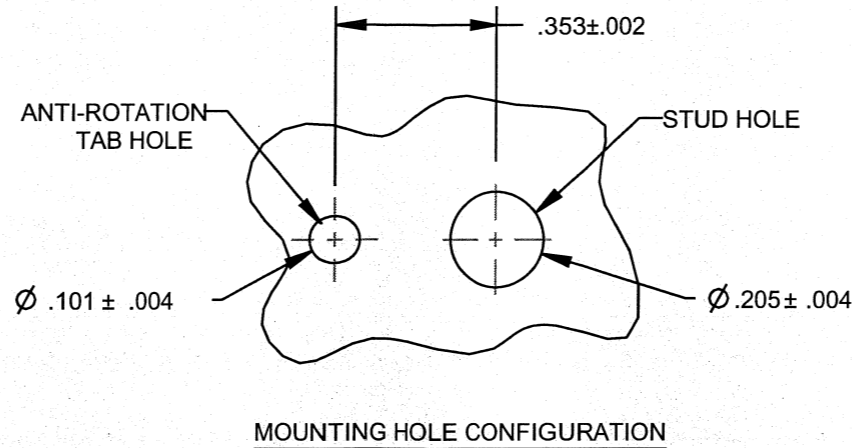
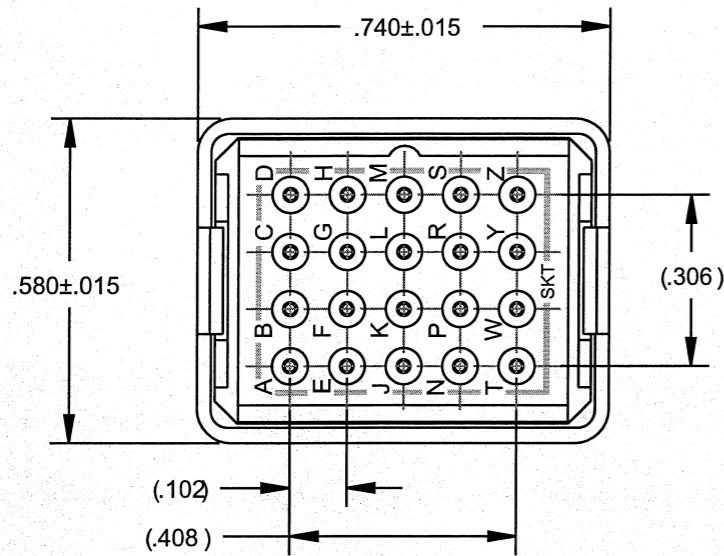
Tel: +86-755-8981 8866 Fax: +86-755-8427 6832

Email & Skype: info@chipsmall.com Web: www.chipsmall.com

Address: A1208, Overseas Decoration Building, #122 Zhenhua RD., Futian, Shenzhen, China



REV	ECN	APP'D
G	5910	
H	6248	<i>[Signature]</i> 7/30/08



- NOTES:
- MATERIALS:  
 BODY: POLYETHERIMIDE PER ASTM-D5205.  
 GROMMET: SILICONE BLEND ELASTOMER PER A-A-59588.  
 CONTACT RETAINERS: STAINLESS STEEL.  
 SHELL/STUD: COPPER ALLOY, TIN PER MIL-T-10727, TYPE 1  
 MOUNTING HARDWARE: (SUPPLIED SEPARATELY)  
 STEEL, CADMIUM FINISH PER SAE-AMS-QQ-P-416
  - PERFORMANCE SPECIFICATIONS:  
 MEETS ALL PERFORMANCE REQUIREMENTS OF MIL-T-81714.
  - MODULE ACCEPTS M39029/22-191 CONTACTS AND MS27488-22-1 SEALING PLUGS. SEE TABLE
  - ANTI ROTATION TAB SHALL ENTER INTO MOUNTING HOLE.

APCD P/N	SUPPLIED		MARKING
	SKTS	PLUGS	APCD PART NO.
SJG022100	21	2	SJG022100
SJG022101	-	-	

HARDWARE / SOCKET CONTACT BOM		
APCD P/N	DESCRIPTION	QTY.
200001201	FLAT WASHER, #10	1
200008251	HEX NUT 10-32 CRS SJG	1
200008301	LOCK WASHER, INT TOOTH, #10	1
CNS070900	M39029/22-191 CONTACT SZ 20/20	13
CNA032404	SEALING PLUG, SZ 22	2

DIMENSIONS ANSI Y14.5M UNITS: INCHES Pro/E FILE	TOLERANCES .XX ± 0.01 .XXX ± 0.005 ANGLES ± 2.0°	PROJECTION 	<b>Amphenol Pcd</b> SPECIFICATION DRAWING DRWN R. SWAINE 9/26/06 ENGR <i>[Signature]</i> 7/30/08 APPD <i>[Signature]</i> 7/30/08		TITLE SJG, SIZE 22 GROUNDING MODULE TIN FINISH		
ORIGINAL 	THIS DOCUMENT CONTAINS PROPRIETARY INFORMATION WHICH IS THE CONFIDENTIAL PROPERTY OF AMPHENOL PCD, BEVERLY, MA		SIZE <b>B</b>	DWG NO. <b>SJG022100</b>	REV <b>H</b>		
			CODE: 58982	SCALE: 2:1	SHEET 1 OF 1		

SJG022100

SJG022100