



Chipsmall Limited consists of a professional team with an average of over 10 year of expertise in the distribution of electronic components. Based in Hongkong, we have already established firm and mutual-benefit business relationships with customers from,Europe,America and south Asia,supplying obsolete and hard-to-find components to meet their specific needs.

With the principle of “Quality Parts,Customers Priority,Honest Operation,and Considerate Service”,our business mainly focus on the distribution of electronic components. Line cards we deal with include Microchip,ALPS,ROHM,Xilinx,Pulse,ON,Everlight and Freescale. Main products comprise IC,Modules,Potentiometer,IC Socket,Relay,Connector.Our parts cover such applications as commercial,industrial, and automotives areas.

We are looking forward to setting up business relationship with you and hope to provide you with the best service and solution. Let us make a better world for our industry!



Contact us

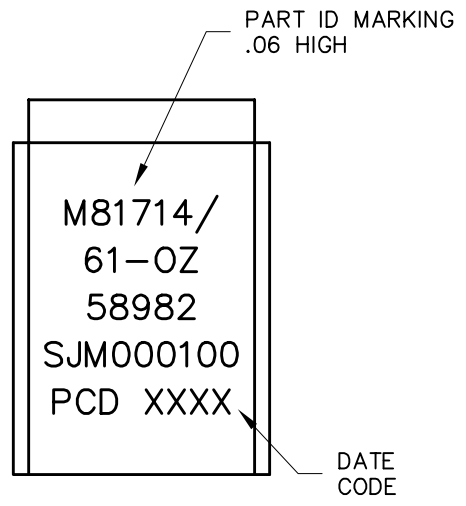
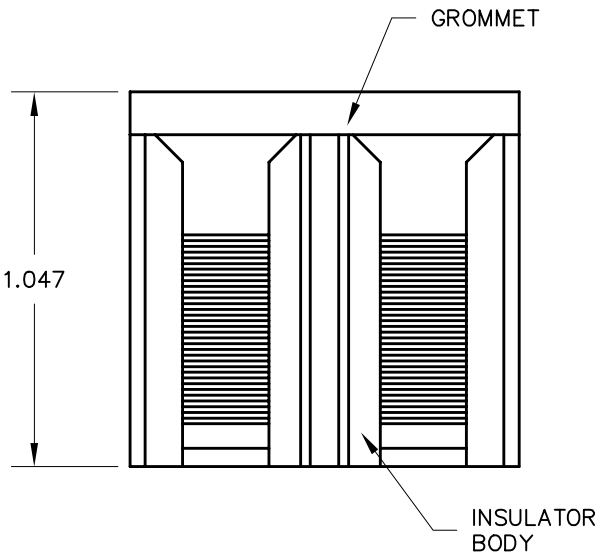
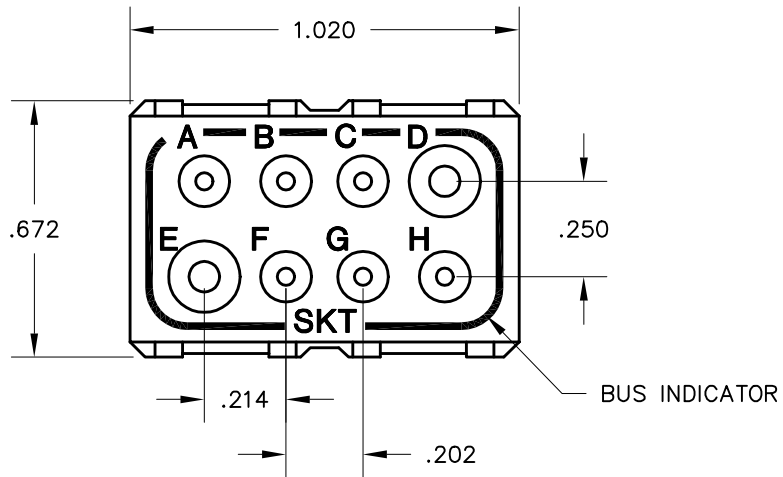
Tel: +86-755-8981 8866 Fax: +86-755-8427 6832

Email & Skype: info@chipsmall.com Web: www.chipsmall.com

Address: A1208, Overseas Decoration Building, #122 Zhenhua RD., Futian, Shenzhen, China



REV	ECN	APP'D
D	3963	JC 4/25/00
F	4127	



- NOTES:
- MATERIALS:
 BODY: POLYETHERIMIDE PER MIL-P-46184.
 GROMMET: SILICONE BLEND ELASTOMER.
 CONTACT RETAINERS: BERYLLIUM COPPER.
 INTERNAL PIN CONTACTS: COPPER ALLOY,
 HARD GOLD PLATE
 PER MIL-G-45204.
 - PERFORMANCE SPECIFICATIONS:
 OPERATING TEMP: -65° TO 200°C
 INSULATION RESISTANCE: 5000 MEGOHMS MIN @ 25°C
 DIELECTRIC WITHSTANDING VOLTAGE:
 1500 VRMS AT SEA LEVEL
 AND 200 VRMS AT 110,000 FT. ALTITUDE.
 CURRENT RATING: 23 AMPS-SIZE 12
 13 AMPS-SIZE 16
 VIBRATION AND SHOCK: PER MIL-T-81714,
 PARAGRAPH 3.5.5 AND 3.5.8.
 - MODULE SUPPLIED WITH THREE (3) M39029/22-605 AND SEVEN (7) M39029/22-193 SOCKET CONTACTS; TWO (2) EACH MS27488-12 & MS27488-16 PLUGS.

DIMENSIONS ANSI Y14.5M UNITS: INCHES ACAD FILE	TOLERANCES .XX ± .XXX ±.010 ANGLES ±2°	PROJECTION 	SPECIFICATION DRAWING			TITLE SOCKET JUNCTION MODULE SIZE 12 & 16 - 1-BUS M81714/61-OZ		
			ENGR A. PATRIE 4/19/00			SIZE A	DWG NO. SJM000100	REV F
ORIGINAL	THIS DOCUMENT CONTAINS PROPRIETARY INFORMATION WHICH IS THE CONFIDENTIAL PROPERTY OF PCD, INC. PEABODY, MA, USA		CHKD J. TON 4/24/00		CODE: 58982		SCALE: 2:1	SHEET 1 OF 1
			APPD J. CAHALY 4/25/00					