



Chipsmall Limited consists of a professional team with an average of over 10 year of expertise in the distribution of electronic components. Based in Hongkong, we have already established firm and mutual-benefit business relationships with customers from,Europe,America and south Asia,supplying obsolete and hard-to-find components to meet their specific needs.

With the principle of “Quality Parts,Customers Priority,Honest Operation,and Considerate Service”,our business mainly focus on the distribution of electronic components. Line cards we deal with include Microchip,ALPS,ROHM,Xilinx,Pulse,ON,Everlight and Freescale. Main products comprise IC,Modules,Potentiometer,IC Socket,Relay,Connector.Our parts cover such applications as commercial,industrial, and automotives areas.

We are looking forward to setting up business relationship with you and hope to provide you with the best service and solution. Let us make a better world for our industry!



Contact us

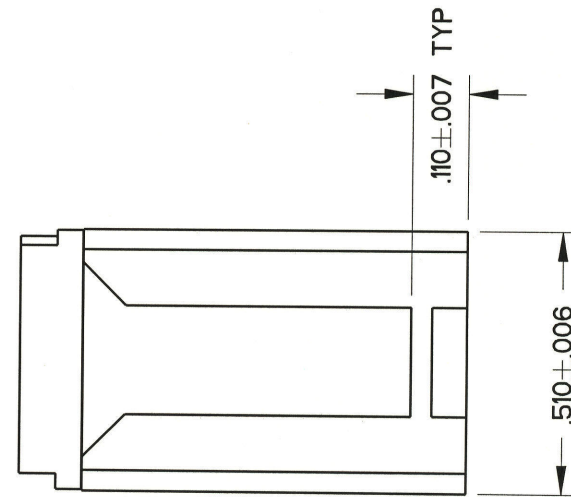
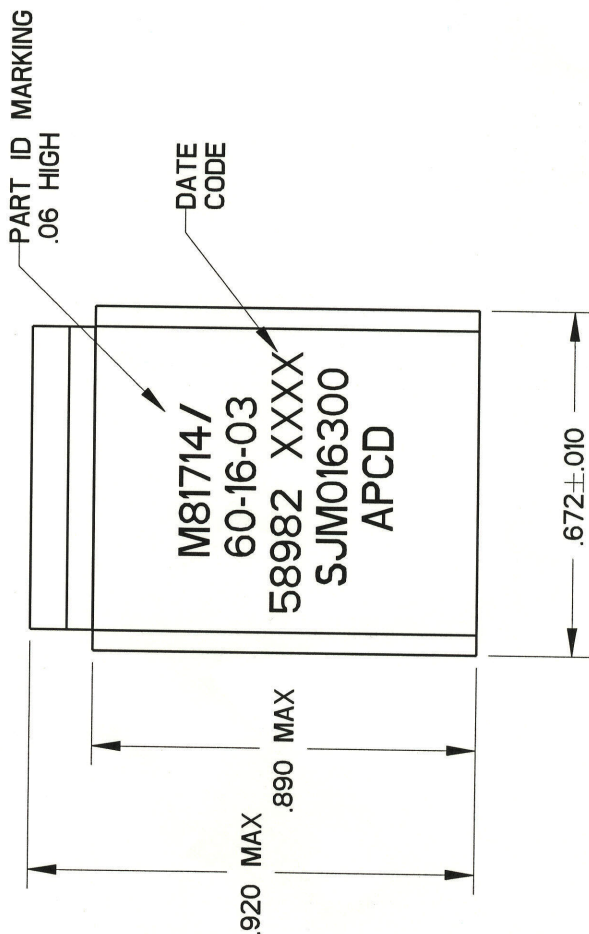
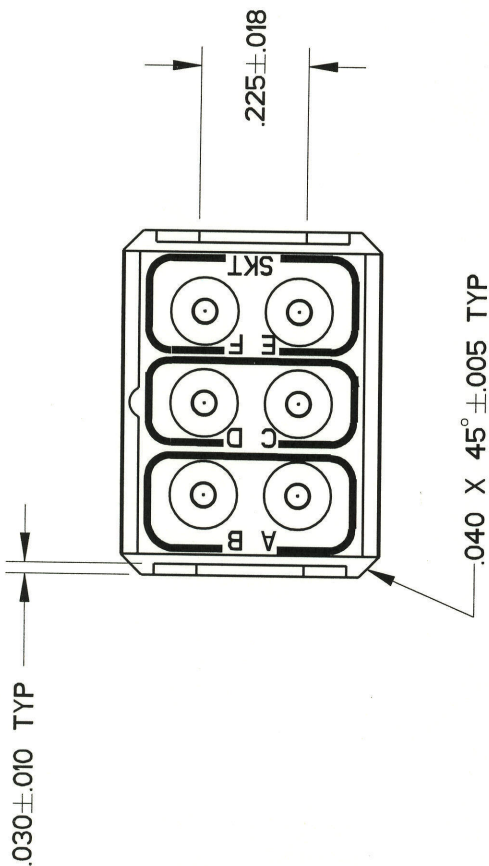
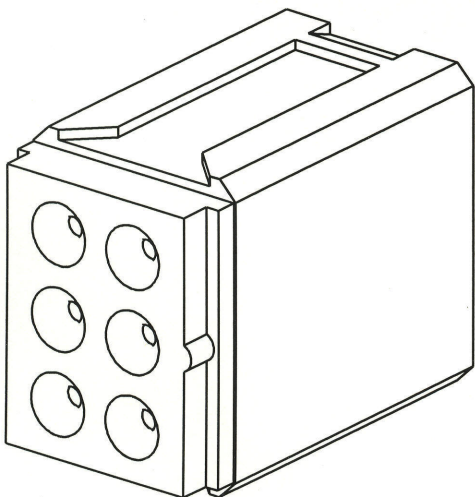
Tel: +86-755-8981 8866 Fax: +86-755-8427 6832

Email & Skype: info@chipsmall.com Web: www.chipsmall.com

Address: A1208, Overseas Decoration Building, #122 Zhenhua RD., Futian, Shenzhen, China



REV	ECN	APP'D
J	5968	<i>JTT 10-4-06</i>



- NOTES:
- PART MEETS ALL REQUIREMENTS OF MIL-T-81714/60
 - MATERIALS:
GROMMET - SILICONE RUBBER PER A-A-59588
BODY - POLYETHERIMIDE PER ASTM-D-5205
INTERNAL CONTACT - BRASS PER ASTM-B16, GOLD PLATED PER SAE-AMS-2422
CONTACT RETAINER CLIPS - STAINLESS STEEL PER ASTM-A666
 - PART ACCEPTS M39029/22-193 SOCKET CONTACTS. SEE TABLE

APCD P/N	SUPPLIED		MARKING	
	SKTS	PLUGS	APCD PART NO.	MIL. NO.
SJM016300	7	2	SJM016300	M81714/60-16-03
SJM016301	-	-		

Amphenol Pcd SPECIFICATION DRAWING DRWN R. SWAINE 10/2/06 ENGR <i>[Signature]</i> 10/3/06 APP'D <i>[Signature]</i> 10-4-06		TITLE SOCKET JUNCTION MODULE SIZE 16, 3-BUS	
DIMENSIONS ANSI Y14.5M UNITS: INCHES Pro/E FILE	TOLERANCES .XX ±0.01 .XXX ±0.005 ANGLES ±2.0°	PROJECTION 	THIS DOCUMENT CONTAINS PROPRIETARY INFORMATION WHICH IS THE CONFIDENTIAL PROPERTY OF AMPHENOL PCD INC., PEABODY, MA
ORIGINAL 	SIZE B DWG NO. SJM016300_C	CODE: 58982 SCALE: 8:3	REV J SHEET 1 OF 1