



Chipsmall Limited consists of a professional team with an average of over 10 year of expertise in the distribution of electronic components. Based in Hongkong, we have already established firm and mutual-benefit business relationships with customers from,Europe,America and south Asia,supplying obsolete and hard-to-find components to meet their specific needs.

With the principle of “Quality Parts,Customers Priority,Honest Operation,and Considerate Service”,our business mainly focus on the distribution of electronic components. Line cards we deal with include Microchip,ALPS,ROHM,Xilinx,Pulse,ON,Everlight and Freescale. Main products comprise IC,Modules,Potentiometer,IC Socket,Relay,Connector.Our parts cover such applications as commercial,industrial, and automotives areas.

We are looking forward to setting up business relationship with you and hope to provide you with the best service and solution. Let us make a better world for our industry!



Contact us

Tel: +86-755-8981 8866 Fax: +86-755-8427 6832

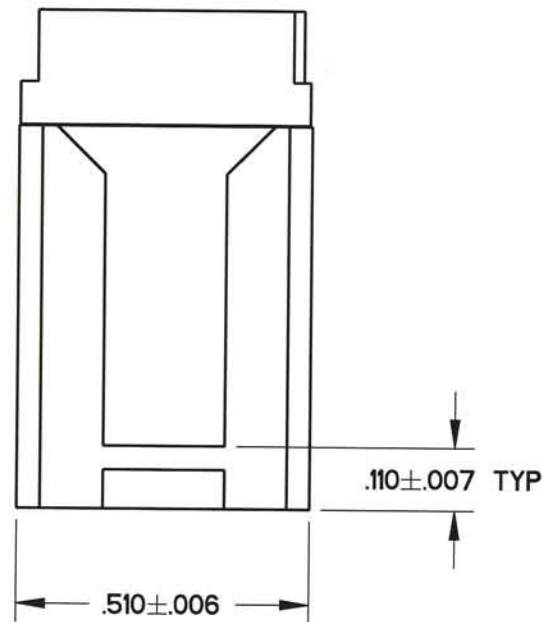
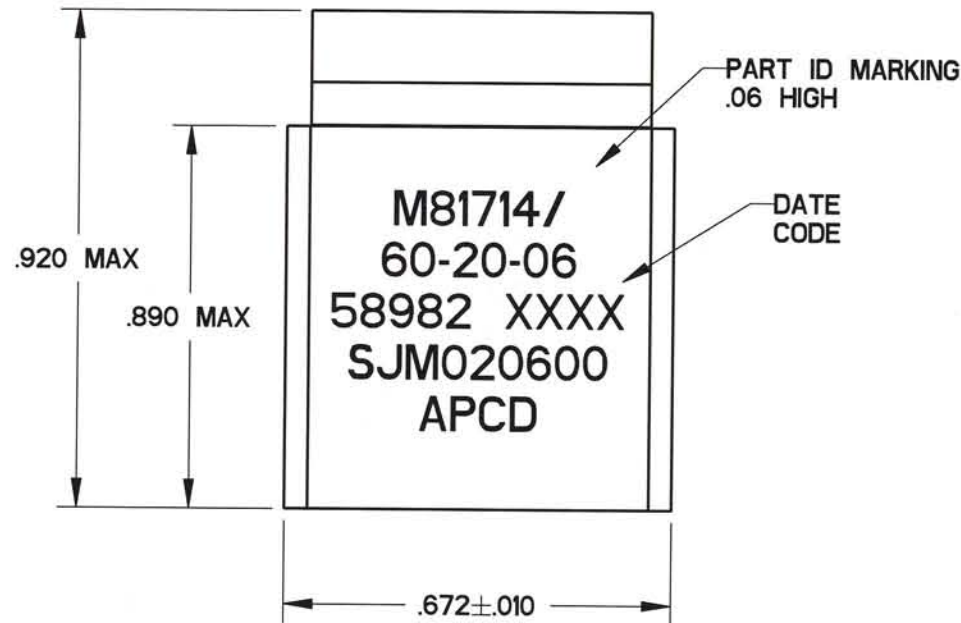
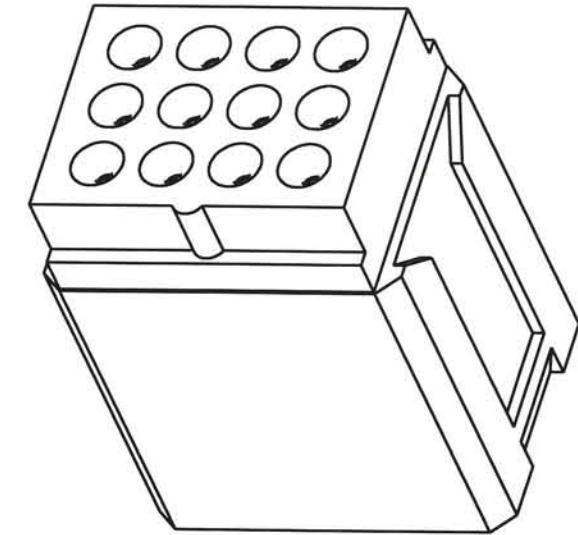
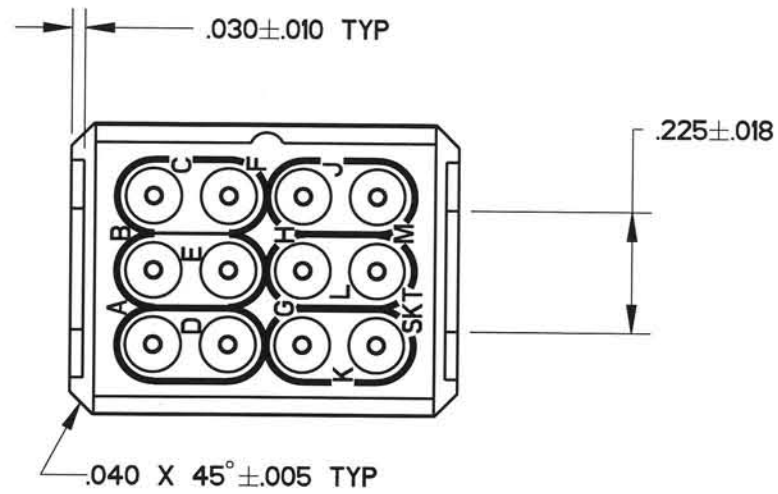
Email & Skype: info@chipsmall.com Web: www.chipsmall.com

Address: A1208, Overseas Decoration Building, #122 Zhenhua RD., Futian, Shenzhen, China



SJM020600

REV	ECN	APP'D
K	5839	JT 4-14-06



- NOTES:
- MATERIALS:
BODY: POLYETHERIMIDE PER MIL-P-46184.
GROMMET: SILICONE BLEND ELASTOMER.
CONTACT RETAINERS: STAINLESS STEEL.
INTERNAL PIN CONTACTS: COPPER ALLOY, HARD GOLD PLATE PER MIL-G-45204.
 - PERFORMANCE SPECIFICATIONS:
OPERATING TEMP: -65° TO 200°C
INSULATION RESISTANCE: 5000 MEGOHMS IN @ 25°C
DIELECTRIC WITHSTANDING VOLTAGE: 1500 VRMS AT SEA LEVEL AND 200 VRMS AT 110,000 FT. ALTITUDE
CURRENT RATING: 7.5 AMPS.
VIBRATION AND SHOCK: PER MIL-T-81714, PARAGRAPH 3.5.5 AND 3.5.8.
 - MODULE ACCEPTS M39029/22-192 CONTACT AND MS27488-20 SEALING PLUG. (SEE TABLE)

APCD P/N	SUPPLIED		MARKING	
	SKTS	PLUGS	APCD PART NO.	MIL. NO.
SJM020600	13	2	SJM020600	M81714/60-20-06
SJM020601	-	-		

DIMENSIONS ANSI Y14.5M UNITS: INCHES Pro/E FILE	TOLERANCES .XX ±0.01 .XXX ±0.005 ANGLES ±2.0°	PROJECTION 	Amphenol Pcd SPECIFICATION DRAWING ENGR R. SWAINE 03/16/06		TITLE SOCKET JUNCTION MODULE SIZE 20, 06		
			ORIGINAL 	THIS DOCUMENT CONTAINS PROPRIETARY INFORMATION WHICH IS THE CONFIDENTIAL PROPERTY OF AMPHENOL PCD INC., PEABODY, MA CHKD [Signature] 4-14-06 APPD [Signature] 4-14-06		SIZE B	DWG NO. SJM020600
			CODE: 58982	SCALE: 3:1	SHEET 1 OF 1		

SJM020600

SJM020600