



Chipsmall Limited consists of a professional team with an average of over 10 year of expertise in the distribution of electronic components. Based in Hongkong, we have already established firm and mutual-benefit business relationships with customers from,Europe,America and south Asia,supplying obsolete and hard-to-find components to meet their specific needs.

With the principle of “Quality Parts,Customers Priority,Honest Operation,and Considerate Service”,our business mainly focus on the distribution of electronic components. Line cards we deal with include Microchip,ALPS,ROHM,Xilinx,Pulse,ON,Everlight and Freescale. Main products comprise IC,Modules,Potentiometer,IC Socket,Relay,Connector.Our parts cover such applications as commercial,industrial, and automotives areas.

We are looking forward to setting up business relationship with you and hope to provide you with the best service and solution. Let us make a better world for our industry!



## Contact us

Tel: +86-755-8981 8866 Fax: +86-755-8427 6832

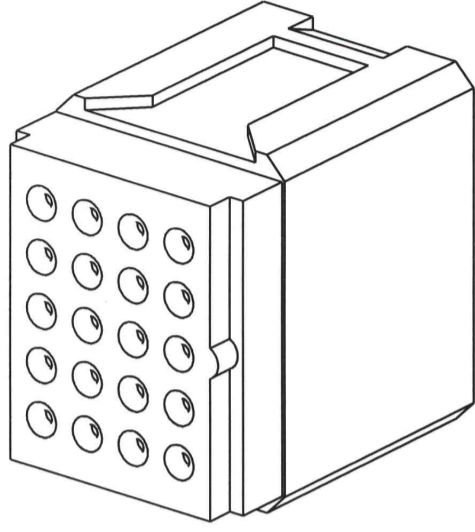
Email & Skype: info@chipsmall.com Web: www.chipsmall.com

Address: A1208, Overseas Decoration Building, #122 Zhenhua RD., Futian, Shenzhen, China

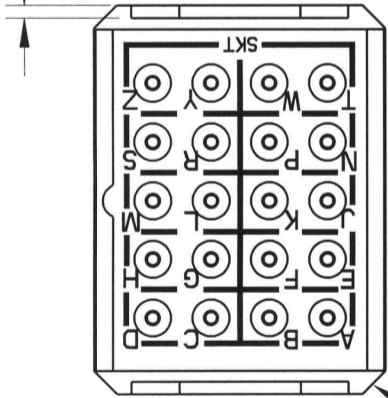




REV	ECN	APPD
M	5910	RS 7/27/06
N	5979	JT 11/16/06
0	6027	

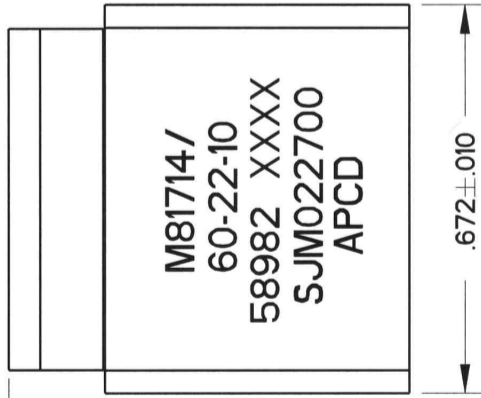


.030±.010 TYP



.225±.018

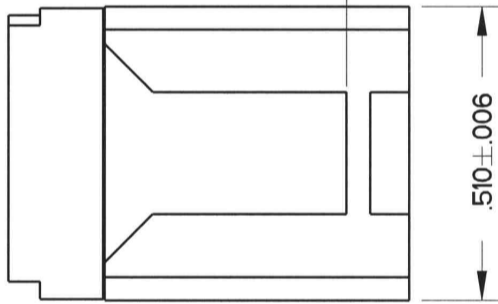
.040 X 45° ±.005 TYP.



.920 MAX

.890 MAX

.672±.010



.510±.006

.110±.007 TYP

NOTES:

- PART MEETS ALL REQUIREMENTS OF MIL-T-81714/60
- MATERIALS:  
GROMMET - SILICONE RUBBER PER A-A-59588  
BODY - POLYETHERIMIDE PER ASTM-D-5205  
INTERNAL CONTACT - BRASS PER ASTM-B16 GOLD PLATED PER SAE-AMS-2422  
CONTACT RETAINER CLIPS - STAINLESS STEEL PER ASTM-A666
- PART ACCEPTS M39029/22-191 SOCKET CONTACTS. SEE TABLE

APCD P/N	SUPPLIED		MARKING	
	SKTS	PLUGS	APCD PART NO.	MIL. NO.
SJM022700	21	2	SJM022700	M81714/60-22-10
SJM022701	-	-		

TITLE

Amphenol Pcd

SPECIFICATION DRAWING

DRWN R. SWAINE 9/25/06

ENGR R. NEWMAN 11/15/06  
APPD

PROJECTION



TOLERANCES

.XX ±0.01  
.XXX ±0.005  
ANGLES ±2.0°

DIMENSIONS

ANSI Y14.5M  
UNITS: INCHES  
Pro/E FILE

ORIGINAL

THIS DOCUMENT CONTAINS PROPRIETARY INFORMATION WHICH IS THE CONFIDENTIAL PROPERTY OF AMPHENOL PCD INC., PEABODY, MA

SOCKET JUNCTION MODULE  
SIZE 22, 10-BUS

SIZE B

DWG NO.

SJM022700

REV

0

CODE: 58982

SCALE: 3:1

SHEET

1 OF 1