



Chipsmall Limited consists of a professional team with an average of over 10 year of expertise in the distribution of electronic components. Based in Hongkong, we have already established firm and mutual-benefit business relationships with customers from,Europe,America and south Asia,supplying obsolete and hard-to-find components to meet their specific needs.

With the principle of "Quality Parts,Customers Priority,Honest Operation,and Considerate Service",our business mainly focus on the distribution of electronic components. Line cards we deal with include Microchip,ALPS,ROHM,Xilinx,Pulse,ON,Everlight and Freescale. Main products comprise IC,Modules,Potentiometer,IC Socket,Relay,Connector.Our parts cover such applications as commercial,industrial, and automotives areas.

We are looking forward to setting up business relationship with you and hope to provide you with the best service and solution. Let us make a better world for our industry!



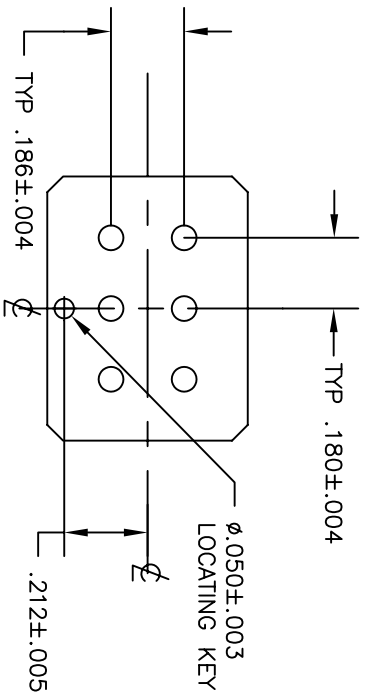
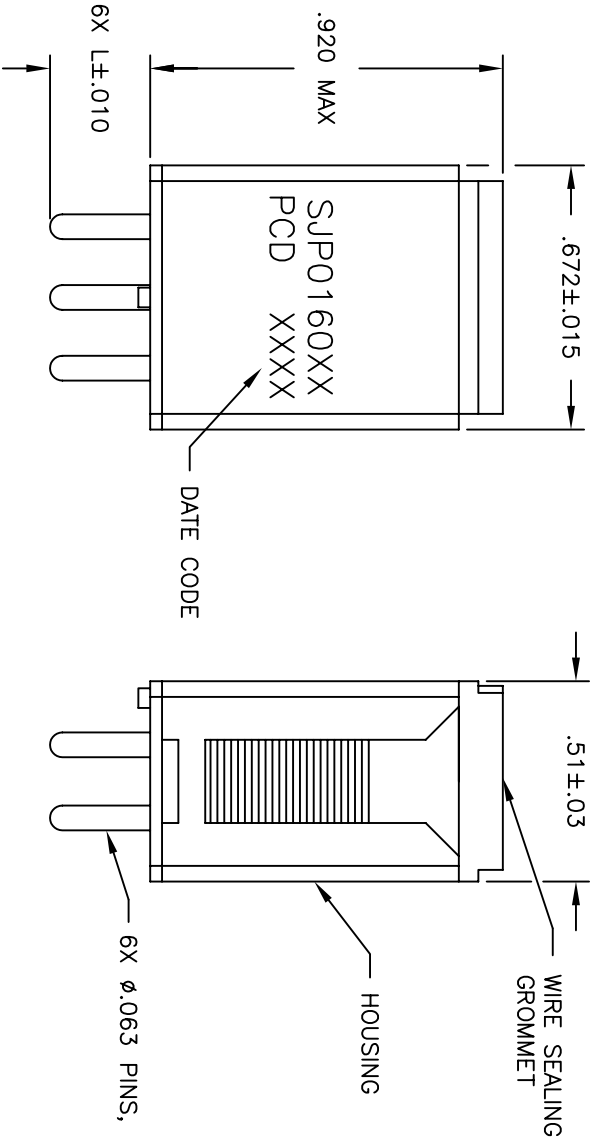
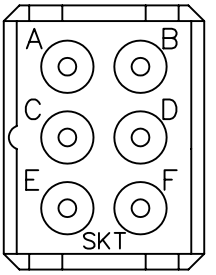
## Contact us

Tel: +86-755-8981 8866 Fax: +86-755-8427 6832

Email & Skype: info@chipsmall.com Web: www.chipsmall.com

Address: A1208, Overseas Decoration Building, #122 Zhenhua RD., Futian, Shenzhen, China



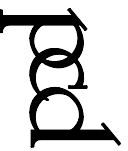


- NOTES:
- MATERIALS:
    - BODY: POLYETHERIMIDE PER MIL-P-46184.
    - GROMMET: SILICONE BLEND ELASTOMER PER ZZ-R-765.
    - CONTACT RETAINERS: STAINLESS STEEL 301, 1/2 HARD.
    - PIN CONTACTS: COPPER ALLOY, HARD GOLD PLATE
    - PER MIL-G-45204, TYPE I, GRADE C, CLASS 1.
  - PERFORMANCE SPECIFICATIONS:
    - OPERATING TEMP: -65° TO 200°C
    - INSULATION RESISTANCE: 5000 MEGOHMS MIN @ 25°C
    - DIELECTRIC WITHSTANDING VOLTAGE: 1500 VRMS AT SEA LEVEL AND 200 VRMS AT 110,000 FT. ALTITUDE.
    - CURRENT RATING: 13 AMPS
    - VIBRATION AND SHOCK: PER MIL-T-81714, PARAGRAPH 3.5.5 AND 3.5.8.
    - MODULE SUPPLIED WITH SEVEN (7) M39029/22-193 SOCKET CONTACTS AND TWO (2) MS27488-16 SEALING PLUGS.

REV	ECN	APP'D
A	5132	

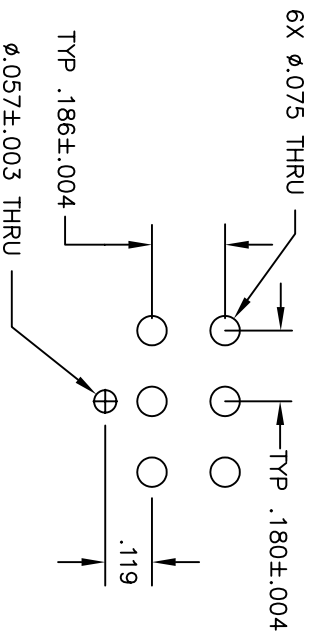
**SPECIFICATION DRAWING**

ENGR  
A. PATRIE 2/29/00



TITLE  
SOCKET MODULE, SIZE 16  
PCB MOUNT

**PRINTED CIRCUIT BOARD CONFIGURATION**



RECOMMENDED PCB THICKNESS = 0.062 +/- .008

PART NO.	DIM "L"
SJP016000	.187
SJP016010	.250

DIMENSIONS	TOLERANCES	PROJECTION
ANSI Y14.5M	.XX ±.01	
UNITS: INCHES	.XXX ±.005	
ACAD FILE	ANGLES ±2°	

ORIGINAL  
THIS DOCUMENT CONTAINS  
PROPRIETARY INFORMATION WHICH  
IS THE CONFIDENTIAL PROPERTY  
OF PCD, INC. PEABODY, MA, USA

CHKD	APPD
------	------

SIZE	DWG NO.	REV
A	SJP016000	A
CODE: 58982	SCALE: 2X	SHEET 1 OF 1