



Chipsmall Limited consists of a professional team with an average of over 10 year of expertise in the distribution of electronic components. Based in Hongkong, we have already established firm and mutual-benefit business relationships with customers from,Europe,America and south Asia,supplying obsolete and hard-to-find components to meet their specific needs.

With the principle of “Quality Parts,Customers Priority,Honest Operation,and Considerate Service”,our business mainly focus on the distribution of electronic components. Line cards we deal with include Microchip,ALPS,ROHM,Xilinx,Pulse,ON,Everlight and Freescale. Main products comprise IC,Modules,Potentiometer,IC Socket,Relay,Connector.Our parts cover such applications as commercial,industrial, and automotives areas.

We are looking forward to setting up business relationship with you and hope to provide you with the best service and solution. Let us make a better world for our industry!



Contact us

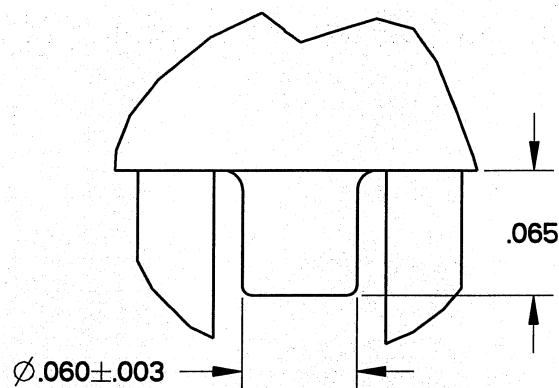
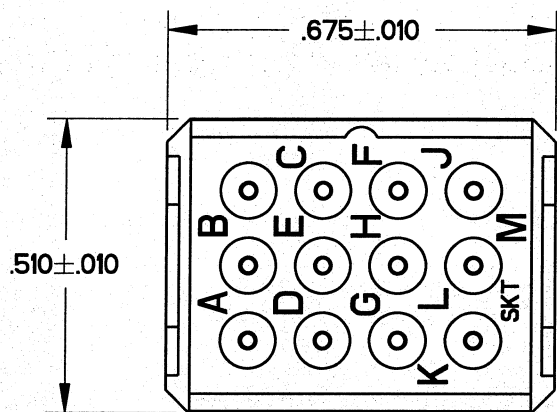
Tel: +86-755-8981 8866 Fax: +86-755-8427 6832

Email & Skype: info@chipsmall.com Web: www.chipsmall.com

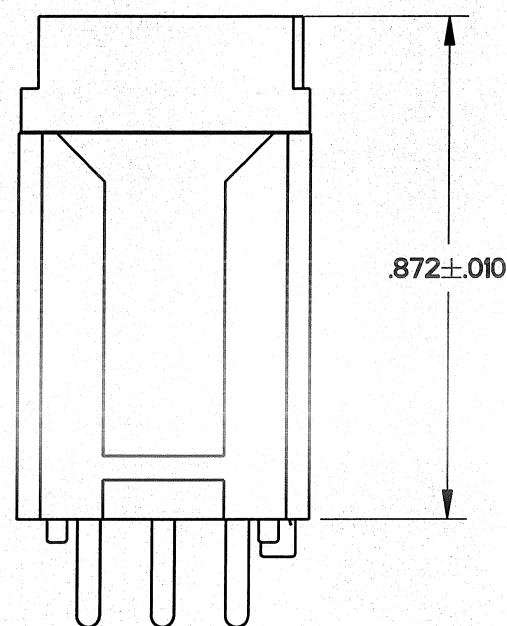
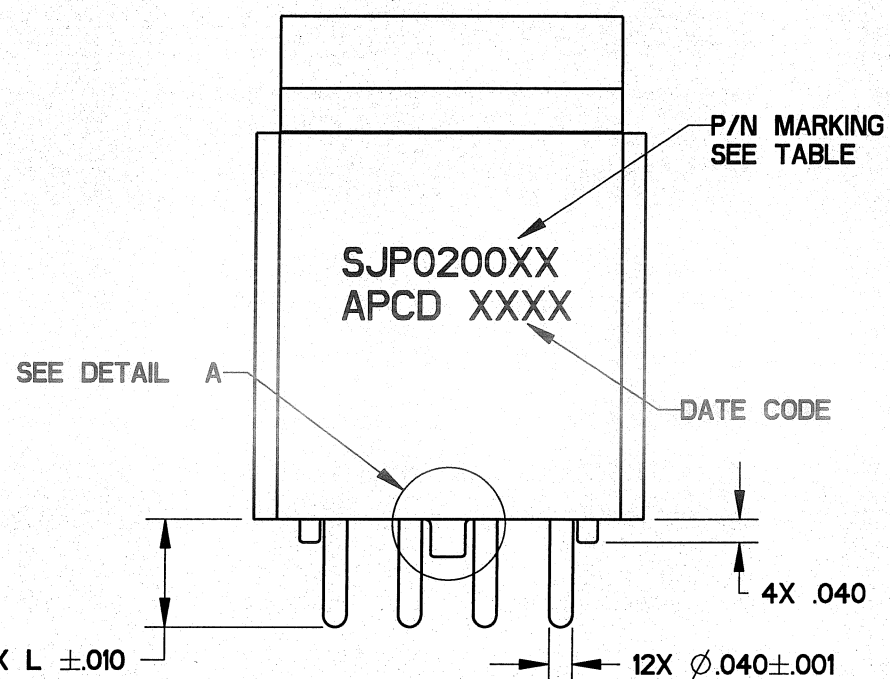
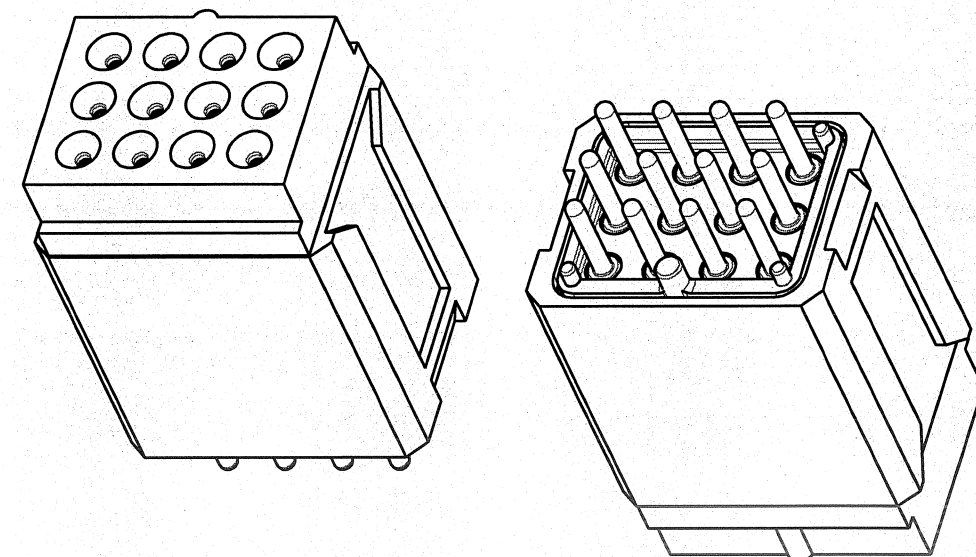
Address: A1208, Overseas Decoration Building, #122 Zhenhua RD., Futian, Shenzhen, China



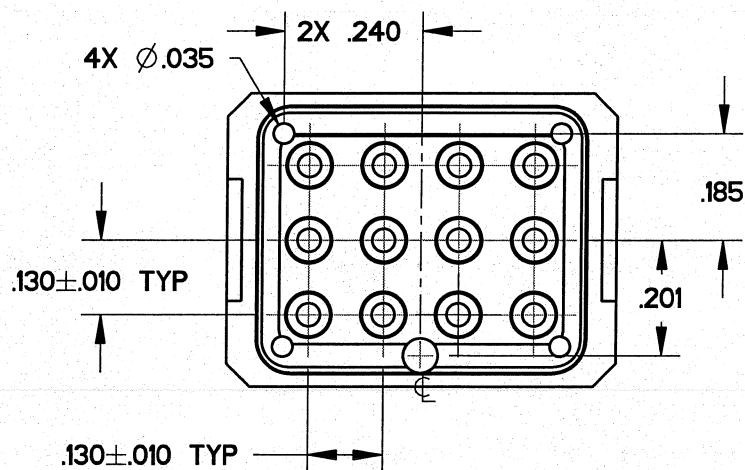
REV	ECN	APP'D
-	5873	JT 7/31/06
A	6062	JT 4/27/07
B	6070	JT 5-21-07
C	6166	JT 12/26/07
D	6167	JT 1/4/08
E	6221	JT 5/23/08
F	6246	JT 8/14/08



DETAIL A
SCALE 10:1



- NOTES:
- MATERIALS:
 BODY: POLYETHERIMIDE PER MIL-P-46184, VIRGIN MATERIAL ONLY.
 GROMMET: SILICONE BLEND ELASTOMER.
 CONTACT RETAINERS: STAINLESS STEEL.
 INTERNAL/EXTERNAL PIN CONTACTS: COPPER ALLOY, HARD GOLD PLATE PER MIL-DTL-45204.
 - MODULE ACCEPTS M39029/22-192 CONTACT AND MS27488-20 SEALING PLUG.
 - INSULATION RESISTANCE: 5000 MEGAOHMS MIN AT 25°C



PART NO.	CONTACTS SUPPLIED	LENGTH "L"	P/N MARKING
SJP020000	M39029/22-192, QTY 13	.187	SJP020000
SJP020001	NONE		
SJP020010	M39029/22-192, QTY 13	.250	SJP020010
SJP020011	NONE		

DIMENSIONS ANSI Y14.5M UNITS: INCHES Pro/E FILE	TOLERANCES .XX ±0.01 .XXX ±0.005 ANGLES ±2.0°	PROJECTION 	Amphenol Pcd SPECIFICATION DRAWING			TITLE SOCKET MODULE, SJP PC MOUNT SIZE 20		
			DRWN R. SWAINE 7/28/06	ENGR 8/11/08		SIZE B	DWG NO. SJP020000_C	REV F
ORIGINAL 	THIS DOCUMENT CONTAINS PROPRIETARY INFORMATION WHICH IS THE CONFIDENTIAL PROPERTY OF AMPHENOL PCD, BEVERLY, MA			APPD 8/14/08	CODE: 58982	SCALE: 2:1	SHEET 1 OF 1	

SJP020000_C

SJP020000_C