



Chipsmall Limited consists of a professional team with an average of over 10 year of expertise in the distribution of electronic components. Based in Hongkong, we have already established firm and mutual-benefit business relationships with customers from,Europe,America and south Asia,supplying obsolete and hard-to-find components to meet their specific needs.

With the principle of “Quality Parts,Customers Priority,Honest Operation,and Considerate Service”,our business mainly focus on the distribution of electronic components. Line cards we deal with include Microchip,ALPS,ROHM,Xilinx,Pulse,ON,Everlight and Freescale. Main products comprise IC,Modules,Potentiometer,IC Socket,Relay,Connector.Our parts cover such applications as commercial,industrial, and automotives areas.

We are looking forward to setting up business relationship with you and hope to provide you with the best service and solution. Let us make a better world for our industry!



Contact us

Tel: +86-755-8981 8866 Fax: +86-755-8427 6832

Email & Skype: info@chipsmall.com Web: www.chipsmall.com

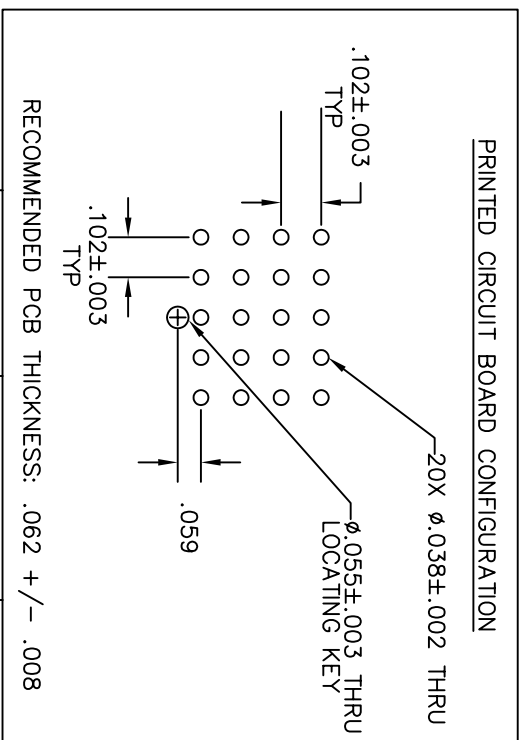
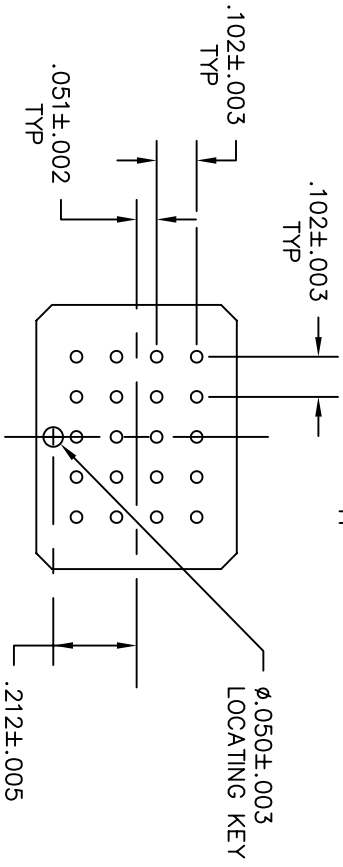
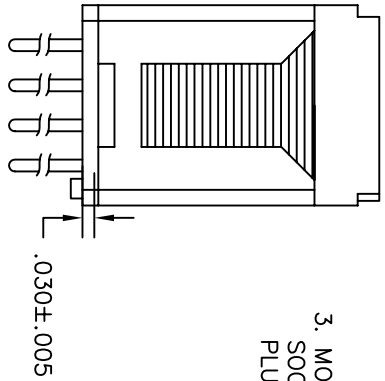
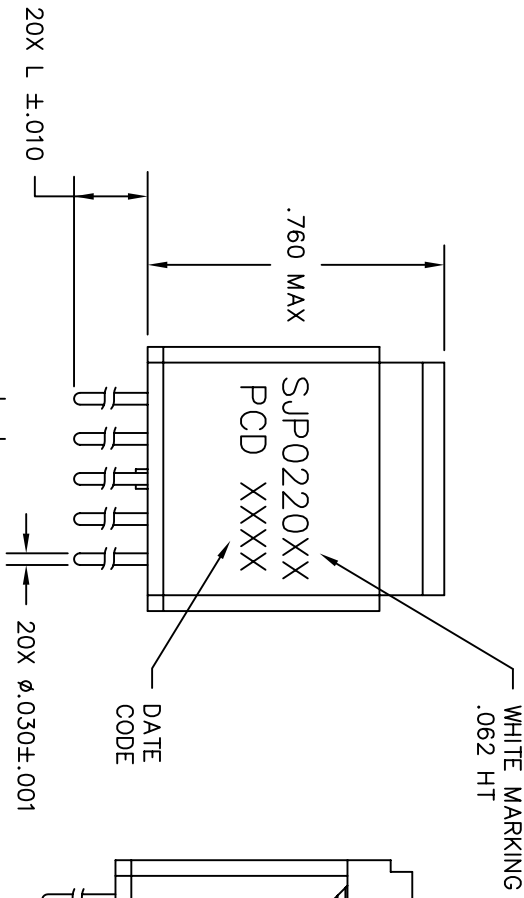
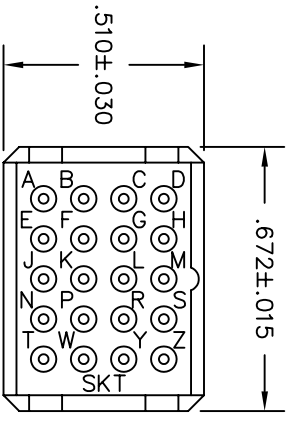
Address: A1208, Overseas Decoration Building, #122 Zhenhua RD., Futian, Shenzhen, China



REV	ECN	APP'D
B	5132	

NOTES:

- MATERIALS:
 - BODY: POLYETHERIMIDE PER MIL-P-46184.
 - GROMMET: SILICONE BLEND ELASTOMER PER ZZ-R-765.
 - CONTACT RETAINERS: STAINLESS STEEL 301, 1/2 HARD.
 - PIN CONTACTS: COPPER ALLOY, HARD GOLD PLATE
 - PER MIL-G-45204, TYPE I, GRADE C, CLASS 1.
- PERFORMANCE SPECIFICATIONS:
 - OPERATING TEMP: -65° TO 200°C
 - INSULATION RESISTANCE: 5000 MEGOHMS MIN @ 25°C
 - DIELECTRIC WITHSTANDING VOLTAGE: 1500 VRMS AT SEA LEVEL AND 200 VRMS AT 110,000 FT. ALTITUDE.
 - CURRENT RATING: 5 AMPS
 - VIBRATION AND SHOCK: PER MIL-T-81714,
 - PARAGRAPH 3.5.5 AND 3.5.8.
- MODULE SUPPLIED WITH 21 M39029/22-191 SOCKET CONTACTS AND TWO (2) MS27488-22 SEALING PLUGS.



PART NO.	SUPPLIED		DIM L
	SKTS	PLUGS	
SJP022000	21	2	.187
SJP022010	21	2	.250

DIMENSIONS	ANSI Y14.5M	TOLERANCES	PROJECTION
	UNITS: INCHES	.XX ±.01	
ACAD FILE	ANGLES ±2°	<p style="text-align: center;">SPECIFICATION DRAWING</p> <p>ENGR A. PATRIE 8/31/01</p> <p>CHKD APPD</p>	
ORIGINAL	<p>THIS DOCUMENT CONTAINS PROPRIETARY INFORMATION WHICH IS THE CONFIDENTIAL PROPERTY OF PCD, INC. PEABODY, MA, USA</p>		

		TITLE	
SIZE	DWG NO.	SOCKET MODULE PCB MOUNT	
A	SJP022000		
CODE: 58982	SCALE: 2X	REV B	
		SHEET 1 OF 1	