



Chipsmall Limited consists of a professional team with an average of over 10 year of expertise in the distribution of electronic components. Based in Hongkong, we have already established firm and mutual-benefit business relationships with customers from,Europe,America and south Asia,supplying obsolete and hard-to-find components to meet their specific needs.

With the principle of “Quality Parts,Customers Priority,Honest Operation,and Considerate Service”,our business mainly focus on the distribution of electronic components. Line cards we deal with include Microchip,ALPS,ROHM,Xilinx,Pulse,ON,Everlight and Freescale. Main products comprise IC,Modules,Potentiometer,IC Socket,Relay,Connector.Our parts cover such applications as commercial,industrial, and automotives areas.

We are looking forward to setting up business relationship with you and hope to provide you with the best service and solution. Let us make a better world for our industry!



## Contact us

Tel: +86-755-8981 8866 Fax: +86-755-8427 6832

Email & Skype: info@chipsmall.com Web: www.chipsmall.com

Address: A1208, Overseas Decoration Building, #122 Zhenhua RD., Futian, Shenzhen, China



### 1. Scope

The present specifications shall apply to an SJPZ-E20.

### 2. Outline

Type	Silicon Diode
Structure	Resin Molded
Applications	Over Voltage Absorption

### 3. Flammability

UL94V-0 (Equivalent)

## 4. Absolute maximum ratings

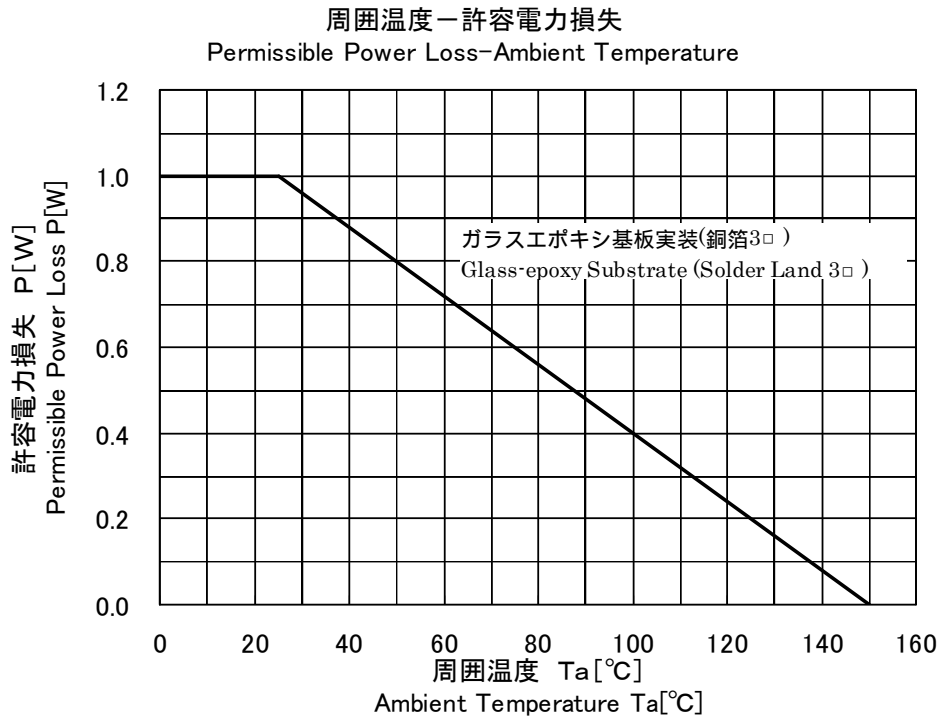
No.	Item	Symbol	Unit	Rating	Conditions
1	Permissible Power loss	P	W	1	Refer to Derating of 6
2	Transient Peak Reverse Power	$P_{RSM}$	W	95	Single Square Wave
3	Junction Temperature	$T_j$	°C	-55~+150	—
4	Storage Temperature	$T_{stg}$	°C	-55~+150	—

5. Electrical characteristics( $T_a=25^{\circ}\text{C}$  , unless otherwise specified)

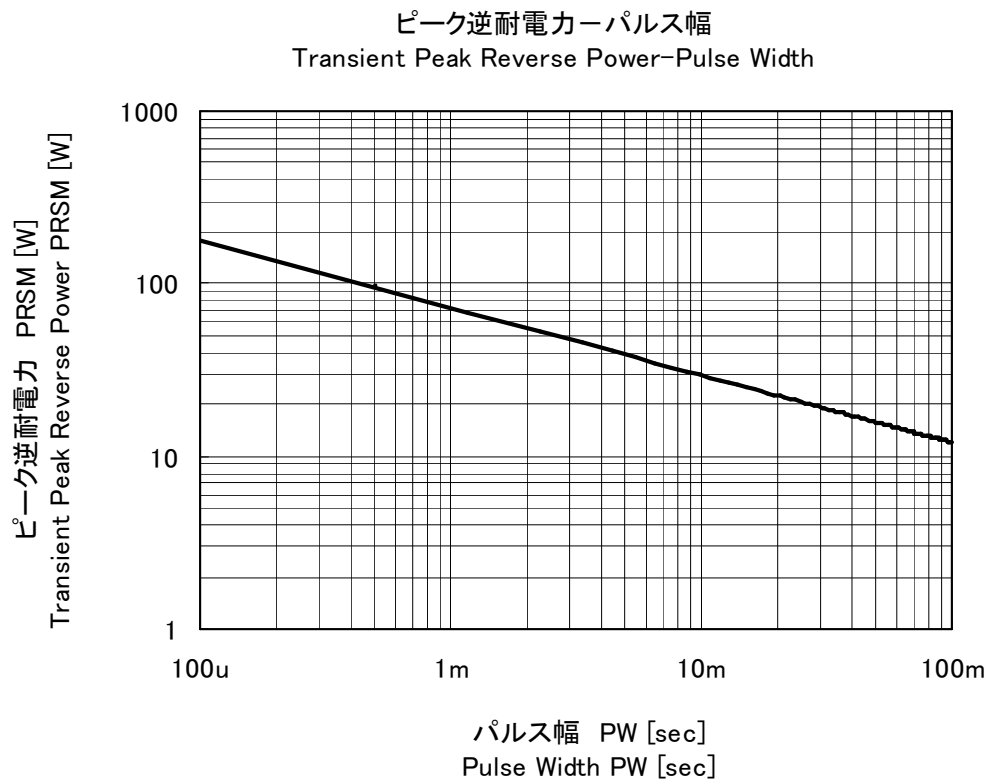
No.	Item	Symbol	Unit	Value	Conditions
1	Reverse Breakdown Voltage	$V_Z$	V	18.8 ~ 21.2	$I_Z=1\text{mA}$
2	Reverse Leakage Current	$I_R$	$\mu\text{A}$	10 max.	$V_R=15\text{V}$
3	Temperature Coefficient Breakdown Voltage	$\gamma_z$	$\text{mV}/^{\circ}\text{C}$	16 typ.	$I_Z=1\text{mA}$
4	Equivalent Resistance of Breakdown Region	$R_Z$	$\Omega$	4 typ.	$I_Z=10\text{mA} \sim 20\text{mA}$

6. Derating

Permissible Power Loss

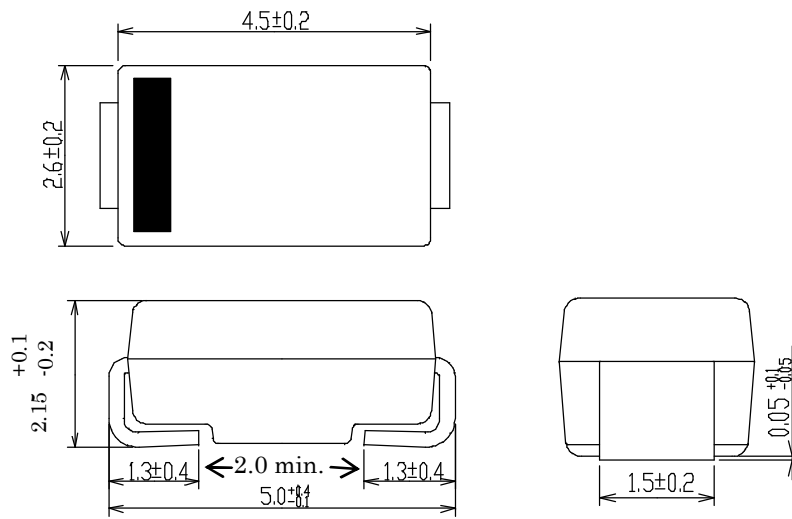


7. Transient Peak Reverse Power Rating



8. Package information

8-1 Package type, physical dimensions

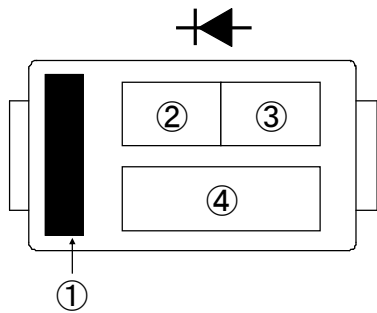


Dimensions in mm

8-2 Appearance

The body shall be clean and shall not bear any stain, rust or flaw.

8-3 Marking



- ① Polarity marking (Cathode band)
- ② Type number  
SJPZ-E as abbreviated of ZE.
- ③ Vz Class number  
20V as abbreviated of 20.
- ④ Lot number

Example) 6515  
 6: Last number of Year  
 5: Month from 1 to 9 for Jan. to Sep. O for Oct. , N for Nov. , D for Dec.  
 15: Day.

