



Chipsmall Limited consists of a professional team with an average of over 10 year of expertise in the distribution of electronic components. Based in Hongkong, we have already established firm and mutual-benefit business relationships with customers from,Europe,America and south Asia,supplying obsolete and hard-to-find components to meet their specific needs.

With the principle of “Quality Parts,Customers Priority,Honest Operation,and Considerate Service”,our business mainly focus on the distribution of electronic components. Line cards we deal with include Microchip,ALPS,ROHM,Xilinx,Pulse,ON,Everlight and Freescale. Main products comprise IC,Modules,Potentiometer,IC Socket,Relay,Connector.Our parts cover such applications as commercial,industrial, and automotives areas.

We are looking forward to setting up business relationship with you and hope to provide you with the best service and solution. Let us make a better world for our industry!



Contact us

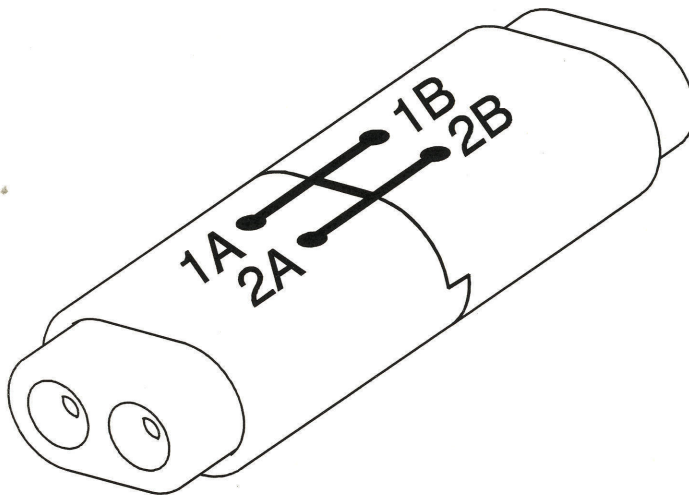
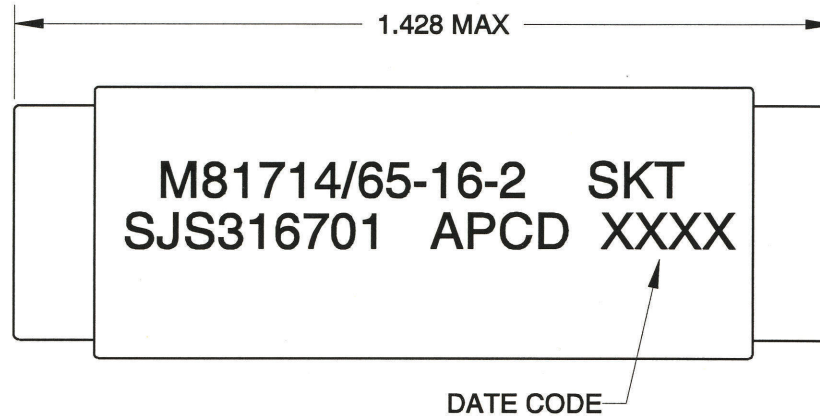
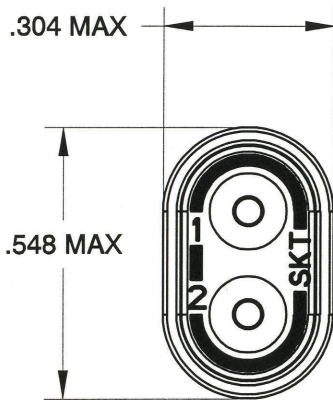
Tel: +86-755-8981 8866 Fax: +86-755-8427 6832

Email & Skype: info@chipsmall.com Web: www.chipsmall.com

Address: A1208, Overseas Decoration Building, #122 Zhenhua RD., Futian, Shenzhen, China



REV	ECN	APP'D
-	4679	JT 12/20/01
A	5793	RS 1/27/06
B	5971	



SCALE 3:1

NOTES:

- MATERIALS:
 INSULATOR BODY: POLYETHERIMIDE PER ASTM-5205
 WIRE-SEALING GROMMET: SILICONE RUBBER PER A-A-59588
 INTERNAL CONTACT: COPPER ALLOY, GOLD FINISH
- PART ACCEPTS M39029/22-193 SOCKET CONTACTS - PER TABLE
- OPERATING RANGE:
 TEMPERATURE: -65° C TO 200° C
 INSULATION RESISTANCE: 5000 MEGOHMS MIN
 DIELECTRIC WITHSTANDING VOLTAGE: 1500 VRMS, SEA LEVEL
 200 VRMS, 100,000 FT ALTITUDE
 CURRENT RATING: 13 AMPS
 VIBRATION AND SHOCK: PER MIL-T-81714, PARA. 3.5.5 AND 3.5.8.

PART NO.	DESCRIPTION	P/N MARKING
SJS316601	CONTACTS NOT SUPPLIED	SJS316701
SJS316701	QTY 5, M39029/22-193 INCLUDED QTY 1, MS27488-16-1 SEALING PLUG INCLUDED	

DIMENSIONS ANSI Y14.5M UNITS: INCHES Pro/E FILE	TOLERANCES .XX ±0.01 .XXX ±0.005 ANGLES ±10°	PROJECTION 	Amphenol Pcd SPECIFICATION DRAWING		TITLE <p style="text-align: center;">SJS WIRE SPLICE, DOUBLE BUSSED, SIZE 16</p>	
			ENGR S. HORNER	12/17/01		SIZE A
THIS DOCUMENT CONTAINS PROPRIETARY INFORMATION WHICH IS THE CONFIDENTIAL PROPERTY OF AMPHENOL PCD INC., PEABODY, MA			CHKD 	CODE: 58982	SCALE: 3:1	SHEET 1 OF 1