



Chipsmall Limited consists of a professional team with an average of over 10 year of expertise in the distribution of electronic components. Based in Hongkong, we have already established firm and mutual-benefit business relationships with customers from,Europe,America and south Asia,supplying obsolete and hard-to-find components to meet their specific needs.

With the principle of “Quality Parts,Customers Priority,Honest Operation,and Considerate Service”,our business mainly focus on the distribution of electronic components. Line cards we deal with include Microchip,ALPS,ROHM,Xilinx,Pulse,ON,Everlight and Freescale. Main products comprise IC,Modules,Potentiometer,IC Socket,Relay,Connector.Our parts cover such applications as commercial,industrial, and automotives areas.

We are looking forward to setting up business relationship with you and hope to provide you with the best service and solution. Let us make a better world for our industry!



Contact us

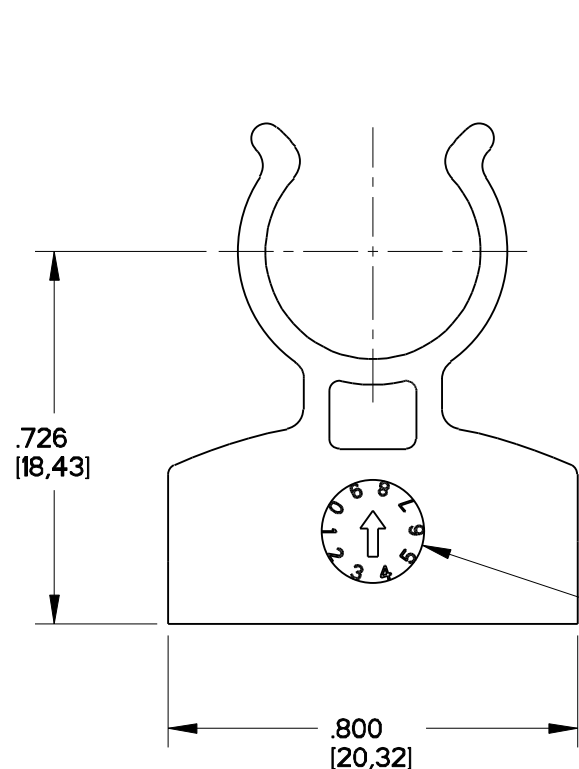
Tel: +86-755-8981 8866 Fax: +86-755-8427 6832

Email & Skype: info@chipsmall.com Web: www.chipsmall.com

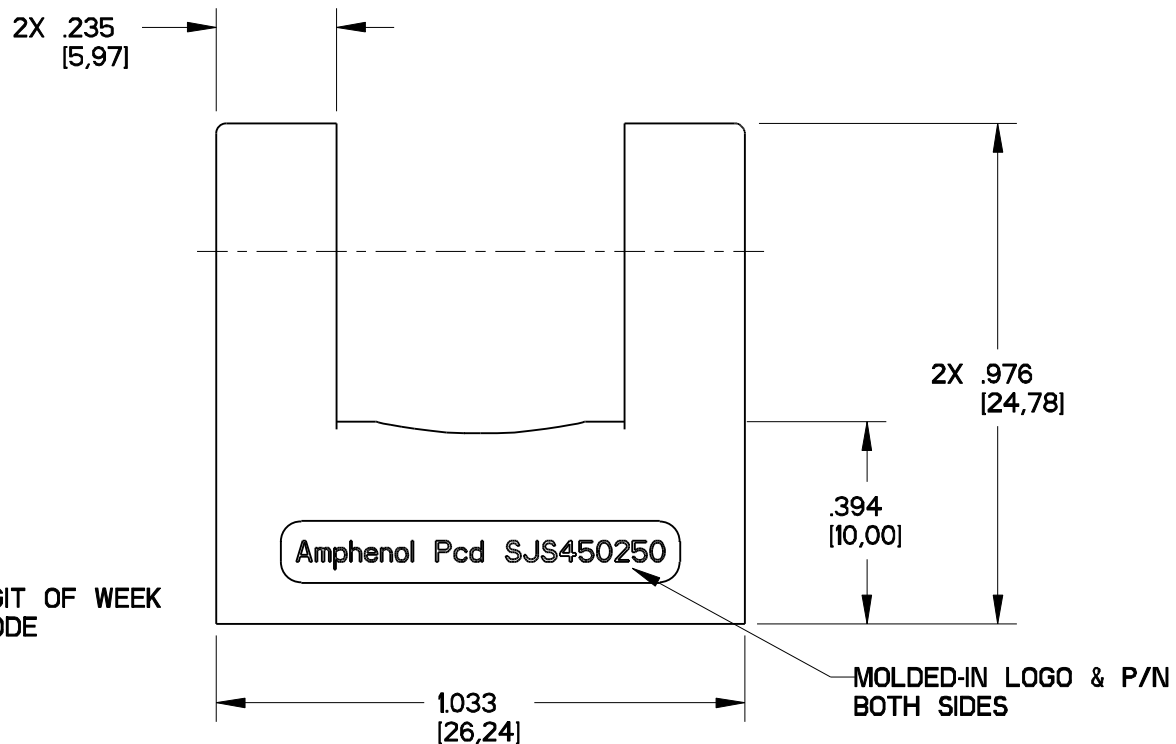
Address: A1208, Overseas Decoration Building, #122 Zhenhua RD., Futian, Shenzhen, China



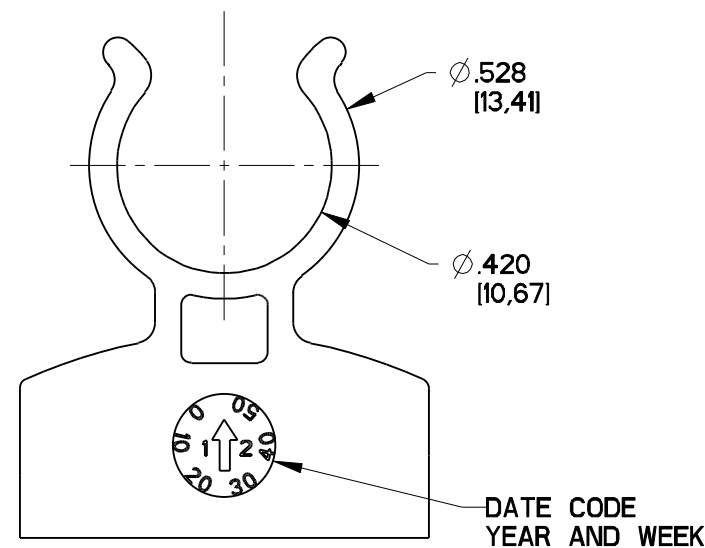
REV	ECN	APP'D
2		



SECOND DIGIT OF WEEK
IN DATE CODE

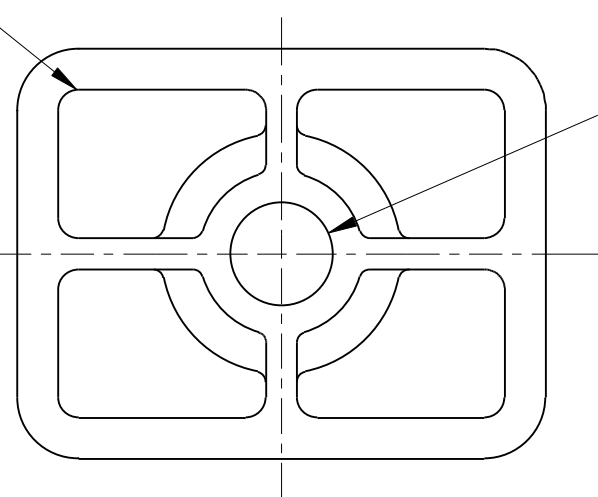


MOLDED-IN LOGO & P/N
BOTH SIDES



DATE CODE
YEAR AND WEEK

CORING
TYP, 4 PLCS



$\phi .200$ [5,08]
ACCEPTS SCREWS PER
NAS1801-3 OR EQUIVALENT



SCALE 2:1

NOTES:

1. MATERIAL: TORAY CM3004 V0 COLOR: BLACK.
2. WEIGHT: 3.9 GRAMS (EST.)
3. ACCEPTS & RETAINS LUMINUS SHELL SIZE 7 INLINE MATED PAIRS.

DIMENSIONS ANSI Y14.5M UNITS: INCHES [MM] Pro/E FILE	TOLERANCES .XX ± 0.01 [± 3] .XXX ± 0.005 [± 13] ANGLES $\pm 2.0^\circ$	PROJECTION 	Amphenol Pcd SPECIFICATION DRAWING			TITLE MOUNTING CRADLE SCREW MOUNT SHELL SIZE 7		
			ENGR WESLEY YU 18-Sep-12	CHKD	APPD	SIZE B	DWG NO. SJS450250_CE	REV 2
ORIGINAL	THIS DOCUMENT CONTAINS PROPRIETARY INFORMATION WHICH IS THE CONFIDENTIAL PROPERTY OF AMPHENOL PCD INC., BEVERLY, MA			CODE: 58982	SCALE: 8:3	SHEET 1 OF 1		