



Chipsmall Limited consists of a professional team with an average of over 10 year of expertise in the distribution of electronic components. Based in Hongkong, we have already established firm and mutual-benefit business relationships with customers from,Europe,America and south Asia,supplying obsolete and hard-to-find components to meet their specific needs.

With the principle of “Quality Parts,Customers Priority,Honest Operation,and Considerate Service”,our business mainly focus on the distribution of electronic components. Line cards we deal with include Microchip,ALPS,ROHM,Xilinx,Pulse,ON,Everlight and Freescale. Main products comprise IC,Modules,Potentiometer,IC Socket,Relay,Connector.Our parts cover such applications as commercial,industrial, and automotives areas.

We are looking forward to setting up business relationship with you and hope to provide you with the best service and solution. Let us make a better world for our industry!



Contact us

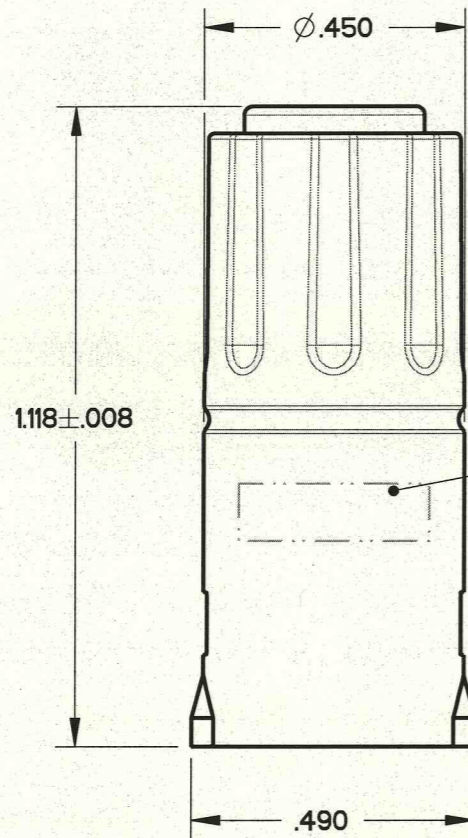
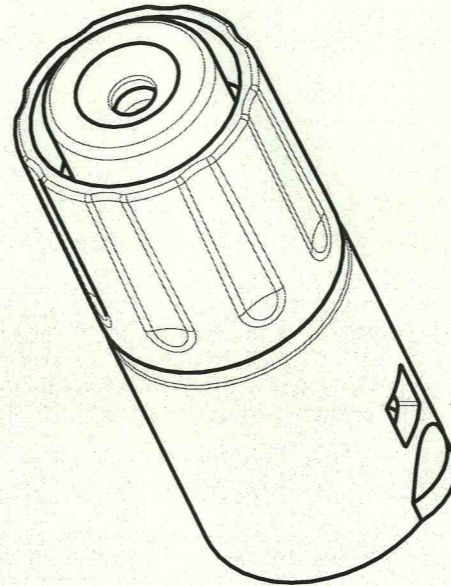
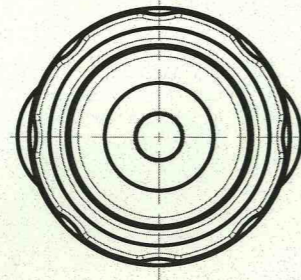
Tel: +86-755-8981 8866 Fax: +86-755-8427 6832

Email & Skype: info@chipsmall.com Web: www.chipsmall.com

Address: A1208, Overseas Decoration Building, #122 Zhenhua RD., Futian, Shenzhen, China



REV	ECN	APP'D
A	6146	JT
B	6426	JT 10/22/09



PART MARKING AS FOLLOWS:

-- APCD
YYWW SJS5122XX

SEE TABLE 1 FOR FULL PART NUMBERS

DATE
CODE

NOTES:

- MATERIALS:
HOUSING: PA 6/6
CONTACT RETAINER: STAINLESS STEEL
GROMMET: SILICONE RUBBER PER A-A-59588
- OPERATING RANGE: EQUIVALENT TO AS81714
WITH THE FOLLOWING EXCEPTIONS:
TEMPERATURE: -65 °C TO 155 °C
INSULATION RESISTANCE: 5000 MEGOHMS MINIMUM
CURRENT RATING: 23 AMPS
VIBRATION: PER EIA-364-D METHOD 28, TEST CONDITION V
ALTITUDE IMMERSION: EIA-364-D METHOD 3 @ 55,000 FT (FORMERLY MIL-STD-1344 METHOD 1004)
- ACCEPTS (1) M39029/58-365 SOCKET CONTACT (NOT INCLUDED)
- CONTACT RETENTION SHALL LOCK AT 30 LBS RET.
- LOCKING FEATURE SHALL NOT BREAK AT 25 LBS
- MATES WITH SJS512100

TABLE 1 - PART NUMBER SCHEME

APCD PART#	COLOR
SJS512200	BLUE
SJS512210	RED

DIMENSIONS ANSI Y14.5M UNITS: INCHES Pro/E FILE	TOLERANCES .XX ±0.01 .XXX ±0.005 ANGLES ±1.0°	PROJECTION 	Amphenol Pcd SPECIFICATION DRAWING			TITLE IN-LINE JUNCTION SINGLE WIRE, SIZE 12 RECEPTACLE		
			ENGR M.CHEN 18-Oct-07	SIZE B		DWG NO. SJS512200_CE		REV B
ORIGINAL 	THIS DOCUMENT CONTAINS PROPRIETARY INFORMATION WHICH IS THE CONFIDENTIAL PROPERTY OF AMPHENOL PCD INC., BEVERLY, MA		CHKD 10/22/09	CODE: 58982		SCALE: 3:1	SHEET 1 OF 1	

SJS512200_CE

SJS512200_CE