



Chipsmall Limited consists of a professional team with an average of over 10 year of expertise in the distribution of electronic components. Based in Hongkong, we have already established firm and mutual-benefit business relationships with customers from,Europe,America and south Asia,supplying obsolete and hard-to-find components to meet their specific needs.

With the principle of “Quality Parts,Customers Priority,Honest Operation,and Considerate Service”,our business mainly focus on the distribution of electronic components. Line cards we deal with include Microchip,ALPS,ROHM,Xilinx,Pulse,ON,Everlight and Freescale. Main products comprise IC,Modules,Potentiometer,IC Socket,Relay,Connector.Our parts cover such applications as commercial,industrial, and automotives areas.

We are looking forward to setting up business relationship with you and hope to provide you with the best service and solution. Let us make a better world for our industry!



## Contact us

Tel: +86-755-8981 8866 Fax: +86-755-8427 6832

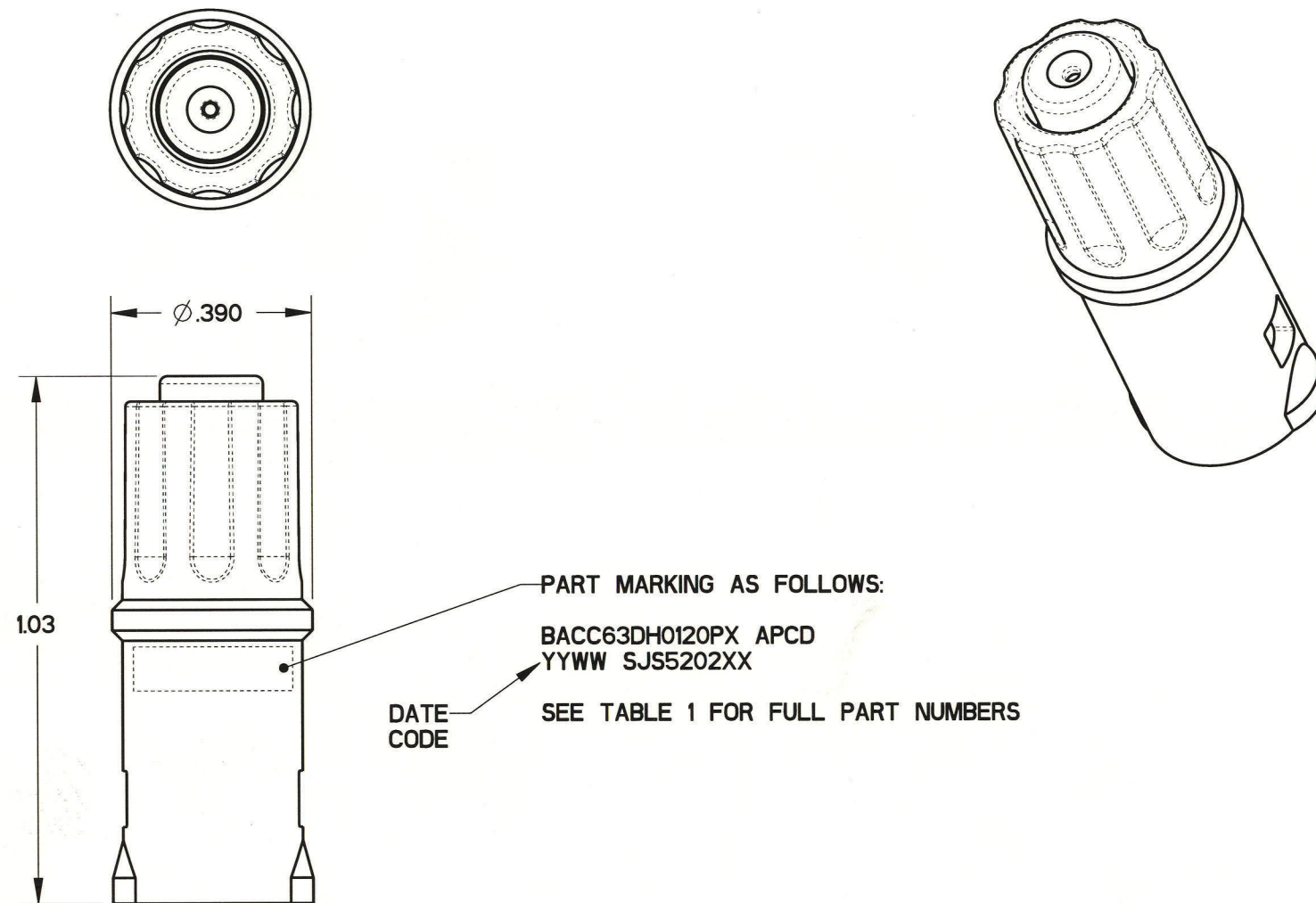
Email & Skype: info@chipsmall.com Web: www.chipsmall.com

Address: A1208, Overseas Decoration Building, #122 Zhenhua RD., Futian, Shenzhen, China





REV	ECN	APP'D
-	5663	J. TON
A	5706	J. TON
B	5720	J. TON
C	5796	J.Ton 9-11-06



PART MARKING AS FOLLOWS:  
 BACC63DH0120PX APCD  
 YYWW SJS5202XX  
 DATE CODE  
 SEE TABLE 1 FOR FULL PART NUMBERS

NOTES:

- MATERIALS:  
 HOUSING: PA 6/6  
 CONTACT RETAINER: STAINLESS STEEL  
 GROMMET: SILICONE RUBBER PER A-A-59588  
 SEAL: SILICONE RUBBER PER A-A-59588
- OPERATING RANGE:  
 TEMPERATURE: -65 °C TO 160 °C  
 INSULATION RESISTANCE: 5000 MEGOHMS MINIMUM  
 DIELECTRIC WITHSTANDING VOLTAGE: 1500 VRMS SEA LEVEL  
 200 VRMS @100,000 FT. ALTITUDE  
 CURRENT RATING: 7.5 AMPS  
 VIBRATION: PER EIA-364-D METHOD 28
- ACCEPTS (1) M39029/58-363 PIN CONTACT (NOT INCLUDED)
- CONTACT RETENTION - MUST LOCK 25 LBS
- LOCKING FEATURE - NO BREAK 25 LBS

APCD PART#	BACC PART#	COLOR
SJS520200	BACC63DH0120PG	GREEN
SJS520210	BACC63DH0120PY	YELLOW

DIMENSIONS	TOLERANCES	PROJECTION	TITLE		
ANSI Y14.5M UNITS: INCHES Pro/E FILE	.XX ±0.01 .XXX ±0.005 ANGLES ±1.0°		<b>Amphenol Pcd</b> SPECIFICATION DRAWING ENGR S. STONE 10/19/05 CHKD J. TON 10/19/05 APPD J. TON 10/19/05		
ORIGINAL	THIS DOCUMENT CONTAINS PROPRIETARY INFORMATION WHICH IS THE CONFIDENTIAL PROPERTY OF AMPHENOL PCD INC., PEABODY, MA				
			CODE: 58982	SCALE: 3:1	SHEET 1 OF 1