



Chipsmall Limited consists of a professional team with an average of over 10 year of expertise in the distribution of electronic components. Based in Hongkong, we have already established firm and mutual-benefit business relationships with customers from,Europe,America and south Asia,supplying obsolete and hard-to-find components to meet their specific needs.

With the principle of "Quality Parts,Customers Priority,Honest Operation,and Considerate Service",our business mainly focus on the distribution of electronic components. Line cards we deal with include Microchip,ALPS,ROHM,Xilinx,Pulse,ON,Everlight and Freescale. Main products comprise IC,Modules,Potentiometer,IC Socket,Relay,Connector.Our parts cover such applications as commercial,industrial, and automotives areas.

We are looking forward to setting up business relationship with you and hope to provide you with the best service and solution. Let us make a better world for our industry!



Contact us

Tel: +86-755-8981 8866 Fax: +86-755-8427 6832

Email & Skype: info@chipsmall.com Web: www.chipsmall.com

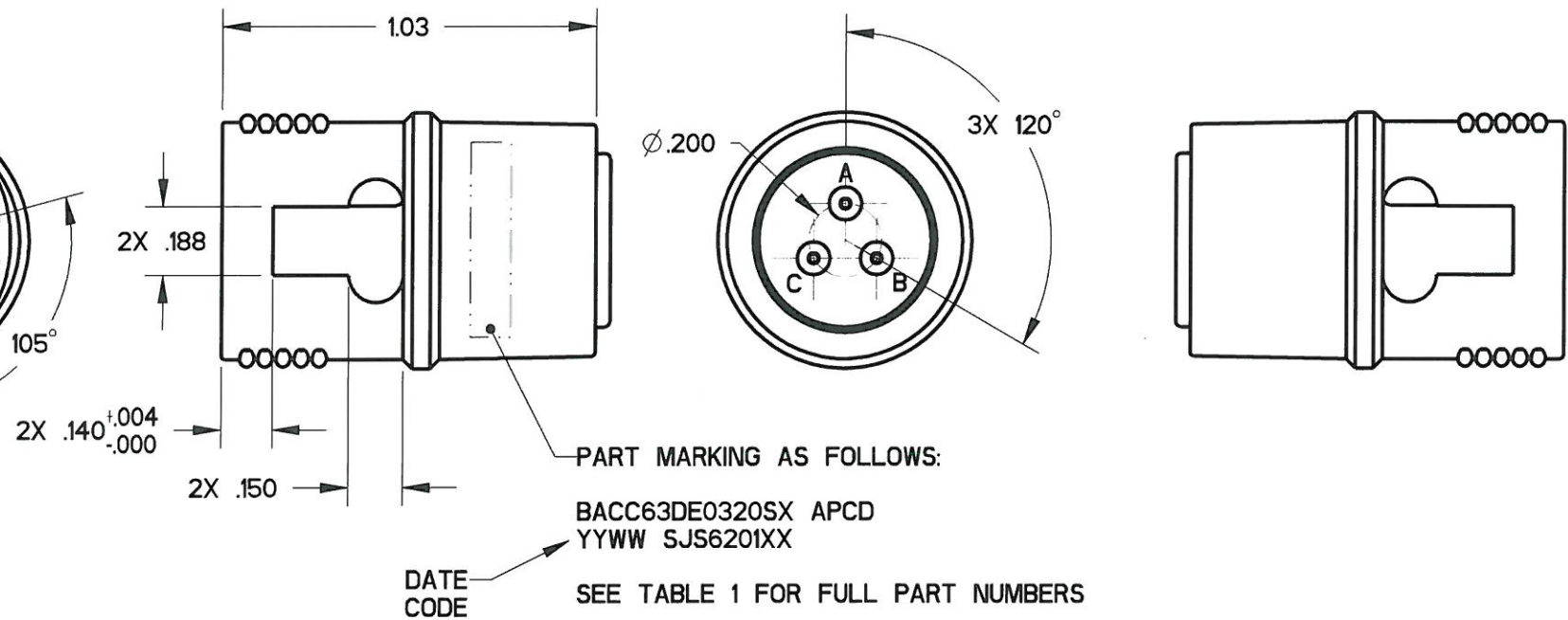
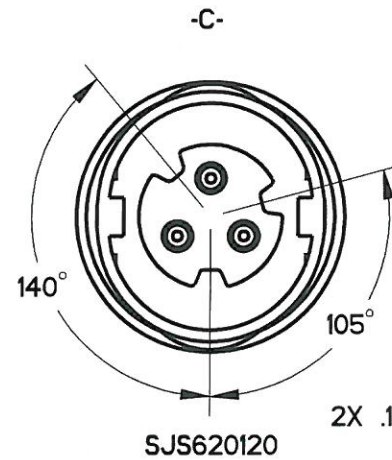
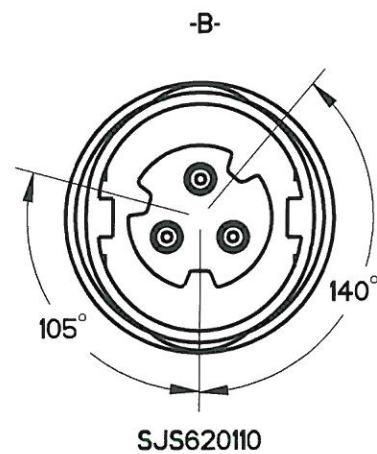
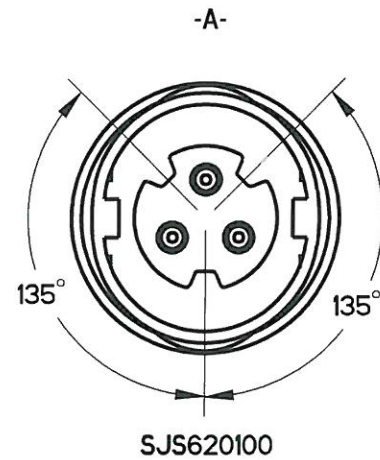
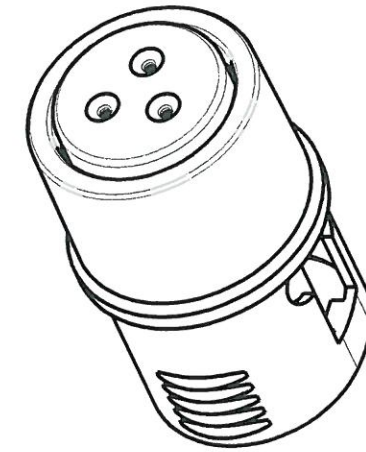
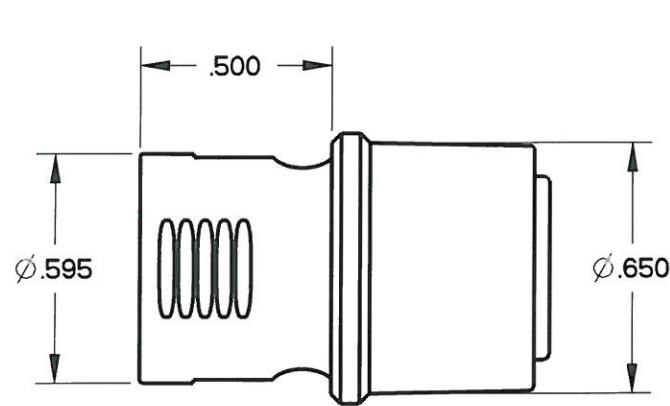
Address: A1208, Overseas Decoration Building, #122 Zhenhua RD., Futian, Shenzhen, China



REV	ECN	APP'D
-	5663	J. TON
A	5706	J. TON
B	5796	J. TON
C	5951	J. TON
D	6102	J. TON
E	6589	<i>J. TON 12/10</i>

NOTES:

- MATERIALS:
HOUSING: PA 6/6
CONTACT RETAINER: STAINLESS STEEL
GROMMET: SILICONE RUBBER PER A-A-59588
- OPERATING RANGE:
TEMPERATURE: -55 °C TO 95 °C
INSULATION RESISTANCE: 5000 MEGOHMS MINIMUM
DIELECTRIC WITHSTANDING VOLTAGE: 1500 VRMS SEA LEVEL
600 VRMS @ 45,000 FT. ALTITUDE
- CURRENT RATING: 7.5 AMPS
VIBRATION: PER EIA-364D METHOD 28, TEST CONDITION V.
- ACCEPTS (3) M39029/56-351 SOCKET CONTACT (NOT INCLUDED)
- CONTACT RETENTION - 20 LBS EACH



KEY CONFIGURATION SEE TABLE 1

APCD PART#	BACC PART#	KEY	COLOR
SJS620100	BACC63DE0320SA	A	RED
SJS620110	BACC63DE0320SB	B	WHITE
SJS620120	BACC63DE0320SC	C	BLUE

DIMENSIONS ANSI Y14.5M UNITS: INCHES Pro/E FILE	TOLERANCES .XX ±0.01 .XXX ±0.005 ANGLES ±1.0°	PROJECTION 	Amphenol Pcd SPECIFICATION DRAWING		TITLE IN-LINE JUNCTION TRIPLE WIRE, SIZE 20 PLUG		
			ENGR S. STONE 10/19/05	CHKD <i>[Signature]</i> 10/12/10	SIZE B	DWG NO. SJS620100	REV E
ORIGINAL 	THIS DOCUMENT CONTAINS PROPRIETARY INFORMATION WHICH IS THE CONFIDENTIAL PROPERTY OF AMPHENOL PCD INC., BEVERLY, MA		APPD <i>[Signature]</i> 12/10	CODE: 58982	SCALE: 2:1	SHEET 1 OF 1	

SJS620100

SJS620100