



Chipsmall Limited consists of a professional team with an average of over 10 year of expertise in the distribution of electronic components. Based in Hongkong, we have already established firm and mutual-benefit business relationships with customers from,Europe,America and south Asia,supplying obsolete and hard-to-find components to meet their specific needs.

With the principle of “Quality Parts,Customers Priority,Honest Operation,and Considerate Service”,our business mainly focus on the distribution of electronic components. Line cards we deal with include Microchip,ALPS,ROHM,Xilinx,Pulse,ON,Everlight and Freescale. Main products comprise IC,Modules,Potentiometer,IC Socket,Relay,Connector.Our parts cover such applications as commercial,industrial, and automotives areas.

We are looking forward to setting up business relationship with you and hope to provide you with the best service and solution. Let us make a better world for our industry!



Contact us

Tel: +86-755-8981 8866 Fax: +86-755-8427 6832

Email & Skype: info@chipsmall.com Web: www.chipsmall.com

Address: A1208, Overseas Decoration Building, #122 Zhenhua RD., Futian, Shenzhen, China



| REV | ECN | APP'D |
|-----|------|-------------|
| - | 5663 | J. TON |
| A | 5706 | J. TON |
| B | 5796 | J. TON |
| C | 5951 | J. TON |
| D | 6545 | JT 6/25/10 |
| E | 6589 | JT 10/12/10 |

NOTES:

1. MATERIALS:

HOUSING: PA 6/6
 CONTACT RETAINER: STAINLESS STEEL
 GROMMET: SILICONE RUBBER PER A-A-59588
 SEAL: SILICONE RUBBER PER A-A-59588

2. OPERATING RANGE:

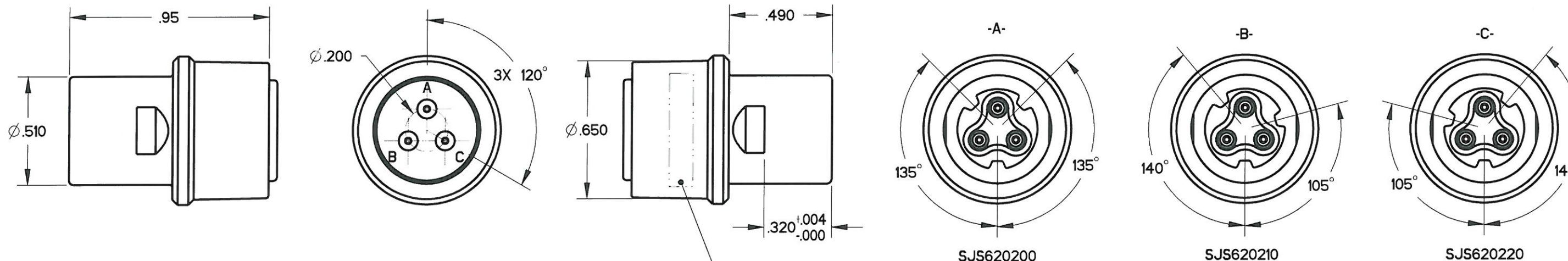
TEMPERATURE: -55 °C TO 95 °C
 INSULATION RESISTANCE: 5000 MEGOHMS MINIMUM
 DIELECTRIC WITHSTANDING VOLTAGE: 1500 VRMS SEA LEVEL
 600 VRMS @ 45,000 FT. ALTITUDE

CURRENT RATING: 7.5 AMPS

VIBRATION: PER EIA-364D METHOD 28, TEST CONDITION V.

3. ACCEPTS (3) M39029/58-363 PIN CONTACTS (NOT INCLUDED)

4. CONTACT RETENTION - 20 LBS EACH



KEY CONFIGURATION SEE TABLE 1

PART MARKING AS FOLLOWS:

BACC63DF0320PX APCD
 YYWW SJS6202XX

DATE
 CODE

SEE TABLE 1 FOR FULL PART NUMBERS

TABLE 1 - PART NUMBER SCHEME

| APCD PART# | BACC PART# | KEY | COLOR |
|------------|----------------|-----|-------|
| SJS620200 | BACC63DF0320PA | A | RED |
| SJS620210 | BACC63DF0320PB | B | WHITE |
| SJS620220 | BACC63DF0320PC | C | BLUE |

| | | | | | | | | |
|--|--|----------------|--|------------------|------------------|---|-----------------------------|-----------------|
| DIMENSIONS ANSI Y14.5M UNITS: INCHES Pro/E FILE | TOLERANCES .XX ±0.01 .XXX ±0.005 ANGLES ±1.0° | PROJECTION | Amphenol Pcd SPECIFICATION DRAWING | | | TITLE IN-LINE JUNCTION TRIPLE WIRE, SIZE 20 RECEPTACLE | | |
| | | | ENGR S. STONE 10/19/05 | CHKD 10/12/10 | APPD 10/12/10 | SIZE B | DWG NO. SJS620200 | REV E |
| ORIGINAL | THIS DOCUMENT CONTAINS PROPRIETARY INFORMATION WHICH IS THE CONFIDENTIAL PROPERTY OF AMPHENOL PCD INC., BEVERLY, MA | | | CODE: 58982 | SCALE: 2:1 | SHEET 1 OF 1 | | |

SJS620200

SJS620200