



Chipsmall Limited consists of a professional team with an average of over 10 year of expertise in the distribution of electronic components. Based in Hongkong, we have already established firm and mutual-benefit business relationships with customers from,Europe,America and south Asia,supplying obsolete and hard-to-find components to meet their specific needs.

With the principle of "Quality Parts,Customers Priority,Honest Operation,and Considerate Service",our business mainly focus on the distribution of electronic components. Line cards we deal with include Microchip,ALPS,ROHM,Xilinx,Pulse,ON,Everlight and Freescale. Main products comprise IC,Modules,Potentiometer,IC Socket,Relay,Connector.Our parts cover such applications as commercial,industrial, and automotives areas.

We are looking forward to setting up business relationship with you and hope to provide you with the best service and solution. Let us make a better world for our industry!



## Contact us

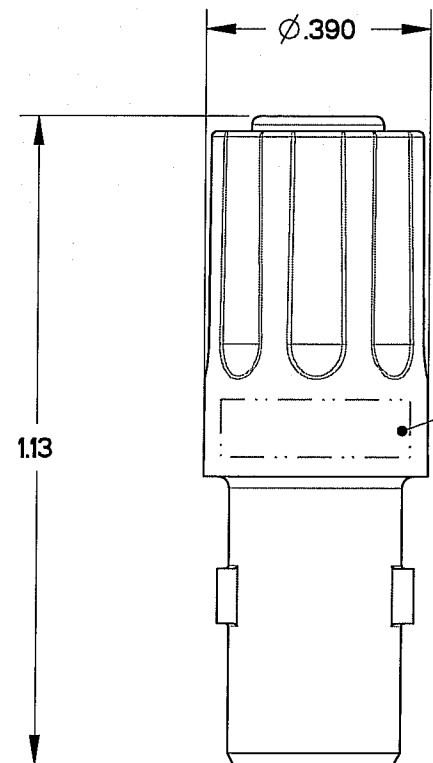
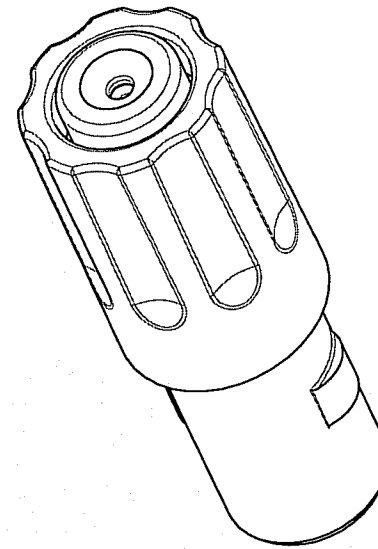
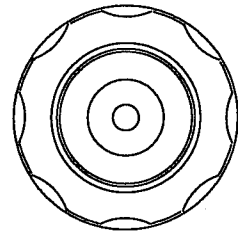
Tel: +86-755-8981 8866 Fax: +86-755-8427 6832

Email & Skype: info@chipsmall.com Web: www.chipsmall.com

Address: A1208, Overseas Decoration Building, #122 Zhenhua RD., Futian, Shenzhen, China



REV	ECN	DESCRIPTION	APP'D
-	5791		J. TON
A	6109	NOTE CHANGE	<i>[Signature]</i> 8/29/07



PART MARKING AS FOLLOWS:

APCD YYWW  
SJS7161XX

DATE  
CODE

SEE TABLE 1 FOR FULL PART NUMBERS

NOTES:

- MATERIALS:  
HOUSING: PA 6/6  
CONTACT RETAINER: STAINLESS STEEL  
GROMMET: SILICONE RUBBER PER A-A-59588
- OPERATING RANGE:  
TEMPERATURE: -65 °C TO 160 °C  
INSULATION RESISTANCE: 5000 MEGOHMS MINIMUM  
DIELECTRIC WITHSTANDING VOLTAGE: 1500 VRMS SEA LEVEL  
600 VRMS @45,000 FT. ALTITUDE
- CURRENT RATING: 13 AMPS  
VIBRATION: PER EIA-364-D METHOD 28  
ALTITUDE IMMERSION: EIA-364-D METHOD 3 @ 55,000 FT  
( FORMERLY MIL-STD-1344 METHOD 1004 )
- ACCEPTS (1) M39029/56-352 SOCKET CONTACT (NOT INCLUDED)
- CONTACT RETENTION - MUST LOCK 25 LBS RET.
- LOCKING FEATURE - NO BREAK 25 LBS
- MATES WITH SJS716200

TABLE 1 - PART# SCHEME	
APCD PART#	COLOR
SJS716100	BLUE
SJS716110	RED

<b>DIMENSIONS</b> ANSI Y14.5M UNITS: INCHES Pro/E FILE	<b>TOLERANCES</b> .XX ±0.01 .XXX ±0.005 ANGLES ±10°	<b>PROJECTION</b> 	<b>Amphenol Pcd</b> SPECIFICATION DRAWING		<b>TITLE</b> IN-LINE JUNCTION SINGLE WIRE, SIZE 16 PLUG		
			ENGR S. STONE 01/27/06			SIZE B	DWG NO. SJS716100
ORIGINAL 	THIS DOCUMENT CONTAINS PROPRIETARY INFORMATION WHICH IS THE CONFIDENTIAL PROPERTY OF AMPHENOL PCD INC., PEABODY, MA		CHKD <i>[Signature]</i> 8/29/07	APP'D <i>[Signature]</i> 8/29/07	CODE: 58982	SCALE: 3:1	SHEET 1 OF 1