



Chipsmall Limited consists of a professional team with an average of over 10 year of expertise in the distribution of electronic components. Based in Hongkong, we have already established firm and mutual-benefit business relationships with customers from,Europe,America and south Asia,supplying obsolete and hard-to-find components to meet their specific needs.

With the principle of “Quality Parts,Customers Priority,Honest Operation,and Considerate Service”,our business mainly focus on the distribution of electronic components. Line cards we deal with include Microchip,ALPS,ROHM,Xilinx,Pulse,ON,Everlight and Freescale. Main products comprise IC,Modules,Potentiometer,IC Socket,Relay,Connector.Our parts cover such applications as commercial,industrial, and automotives areas.

We are looking forward to setting up business relationship with you and hope to provide you with the best service and solution. Let us make a better world for our industry!



Contact us

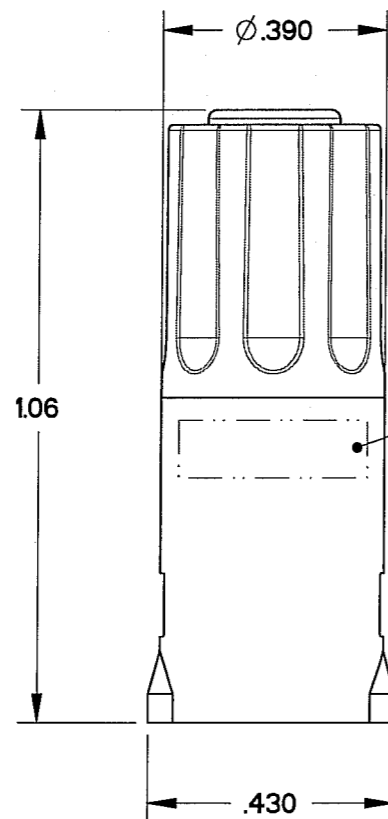
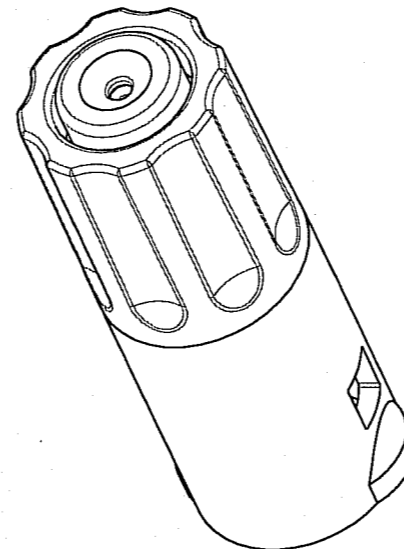
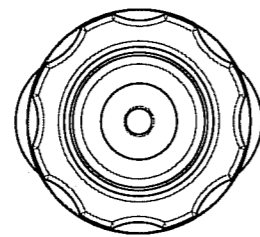
Tel: +86-755-8981 8866 Fax: +86-755-8427 6832

Email & Skype: info@chipsmall.com Web: www.chipsmall.com

Address: A1208, Overseas Decoration Building, #122 Zhenhua RD., Futian, Shenzhen, China



REV	ECN	DESCRIPTION	APP'D
-	5791		J. TON
A	6109	NOTE CHANGE	JT 8/29/07



PART MARKING AS FOLLOWS: DATE CODE
 APCD YYWW
 SJS7162XX
 SEE TABLE 1 FOR FULL PART NUMBERS

- NOTES:
- MATERIALS:
 HOUSING: PA 6/6
 CONTACT RETAINER: STAINLESS STEEL
 GROMMET: SILICONE RUBBER PER A-A-59588
 SEAL: SILICONE RUBBER PER A-A-59588
 - OPERATING RANGE: REFER TO DRAWING SJS716100
 - ACCEPTS (1) M39029/58-364 PIN CONTACT (NOT INCLUDED)
 - CONTACT RETENTION - MUST LOCK 25 LBS
 - LOCKING FEATURE - NO BREAK 25 LBS
 - MATES WITH SJS716100

APCD PART#	COLOR
SJS716200	BLUE
SJS716210	RED

DIMENSIONS ANSI Y14.5M UNITS: INCHES Pro/E FILE	TOLERANCES .XX ±0.01 .XXX ±0.005 ANGLES ±10°	PROJECTION 	Amphenol Pcd SPECIFICATION DRAWING		TITLE IN-LINE JUNCTION SINGLE WIRE, SIZE 16 RECEPTACLE		
			ENGR S. STONE 01/27/06	CHKD 8/29/07		SIZE B	DWG NO. SJS716200
ORIGINAL 	THIS DOCUMENT CONTAINS PROPRIETARY INFORMATION WHICH IS THE CONFIDENTIAL PROPERTY OF AMPHENOL PCD INC., PEABODY, MA		APPD 8/29/07	CODE: 58982	SCALE: 3:1	SHEET 1 OF 1	

SJS716200

SJS716200