



Chipsmall Limited consists of a professional team with an average of over 10 year of expertise in the distribution of electronic components. Based in Hongkong, we have already established firm and mutual-benefit business relationships with customers from,Europe,America and south Asia,supplying obsolete and hard-to-find components to meet their specific needs.

With the principle of “Quality Parts,Customers Priority,Honest Operation,and Considerate Service”,our business mainly focus on the distribution of electronic components. Line cards we deal with include Microchip,ALPS,ROHM,Xilinx,Pulse,ON,Everlight and Freescale. Main products comprise IC,Modules,Potentiometer,IC Socket,Relay,Connector.Our parts cover such applications as commercial,industrial, and automotives areas.

We are looking forward to setting up business relationship with you and hope to provide you with the best service and solution. Let us make a better world for our industry!



Contact us

Tel: +86-755-8981 8866 Fax: +86-755-8427 6832

Email & Skype: info@chipsmall.com Web: www.chipsmall.com

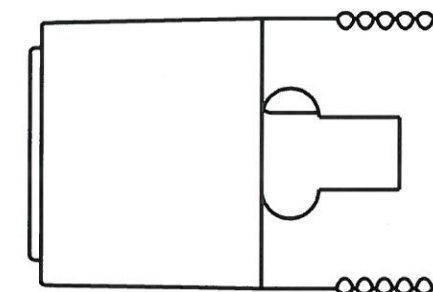
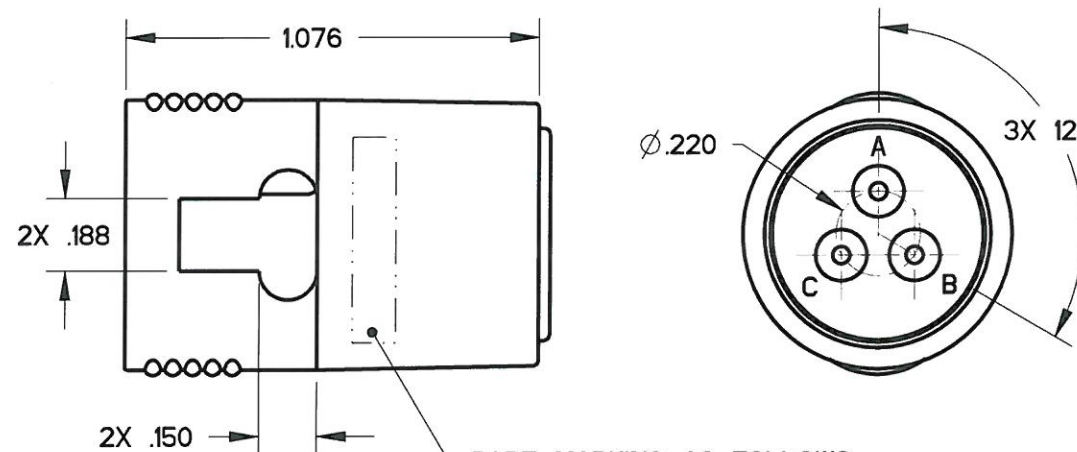
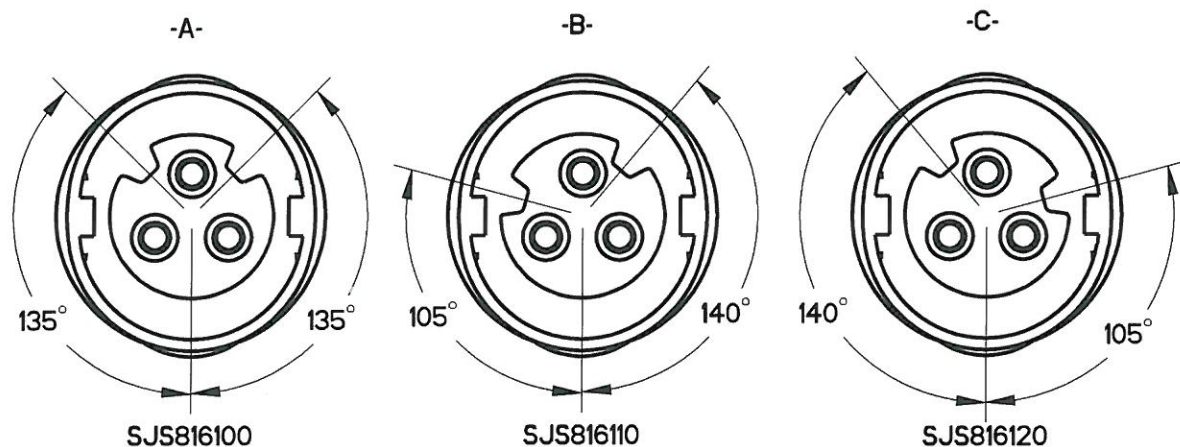
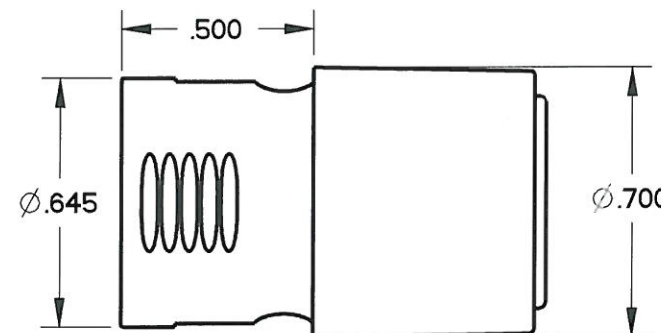
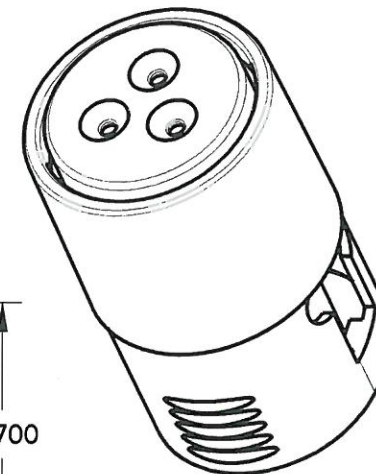
Address: A1208, Overseas Decoration Building, #122 Zhenhua RD., Futian, Shenzhen, China



REV	ECN	APP'D
-	5791	JT 04/11/06
A	5951	JT 9/26/06
B	6109	JT 8/27/07
C	6589	<i>JT 10/12/10</i>

NOTES:

- MATERIALS:
HOUSING: PA 6/6
CONTACT RETAINER: STAINLESS STEEL
GROMMET: SILICONE RUBBER PER A-A-59588
- OPERATING RANGE:
TEMPERATURE: -55 °C TO 95 °C
INSULATION RESISTANCE: 5000 MEGOHMS MINIMUM
DIELECTRIC WITHSTANDING VOLTAGE: 1500 VRMS SEA LEVEL
600 VRMS @ 45,000 FT. ALTITUDE
- CURRENT RATING: 13 AMPS
VIBRATION: PER EIA-364D METHOD 28, TEST CONDITION V.
ALTITUDE IMMERSION: PER EIA-364D METHOD 3 @ 55,000 FT
(FORMERLY MIL-STD-1344 METHOD 1044)
- ACCEPTS (3) M39029/56-352 SOCKET CONTACTS (NOT INCLUDED)
- CONTACT RETENTION - 20 LBS EACH



PART MARKING AS FOLLOWS: DATE CODE

APCD YYWW
SJS8161XX

SEE TABLE 1 FOR FULL PART NUMBERS

KEY CONFIGURATION SEE TABLE 1

TABLE 1 - PART# SCHEME		
APCD PART#	KEY	COLOR
SJS816100	A	RED
SJS816110	B	WHITE
SJS816120	C	BLUE

DIMENSIONS ANSI Y14.5M UNITS: INCHES Pro/E FILE	TOLERANCES .XX ±0.01 .XXX ±0.005 ANGLES ±1.0°	PROJECTION 	Amphenol Pcd SPECIFICATION DRAWING			TITLE IN-LINE JUNCTION TRIPLE WIRE, SIZE 16 PLUG		
			ENGR S. STONE 01/27/06	CHKD <i>[Signature]</i> 10/12/10	APPD <i>[Signature]</i> 10/12/10	SIZE B	DWG NO. SJS816100	REV C
ORIGINAL 	THIS DOCUMENT CONTAINS PROPRIETARY INFORMATION WHICH IS THE CONFIDENTIAL PROPERTY OF AMPHENOL PCD INC., BEVERLY, MA			CODE: 58982	SCALE: 2:1	SHEET 1 OF 1		

SJS816100

SJS816100