



Chipsmall Limited consists of a professional team with an average of over 10 year of expertise in the distribution of electronic components. Based in Hongkong, we have already established firm and mutual-benefit business relationships with customers from,Europe,America and south Asia,supplying obsolete and hard-to-find components to meet their specific needs.

With the principle of “Quality Parts,Customers Priority,Honest Operation,and Considerate Service”,our business mainly focus on the distribution of electronic components. Line cards we deal with include Microchip,ALPS,ROHM,Xilinx,Pulse,ON,Everlight and Freescale. Main products comprise IC,Modules,Potentiometer,IC Socket,Relay,Connector.Our parts cover such applications as commercial,industrial, and automotives areas.

We are looking forward to setting up business relationship with you and hope to provide you with the best service and solution. Let us make a better world for our industry!



Contact us

Tel: +86-755-8981 8866 Fax: +86-755-8427 6832

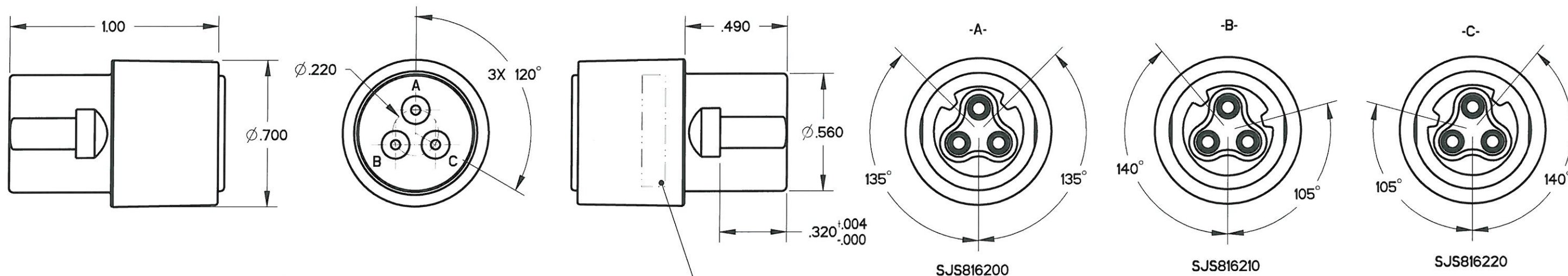
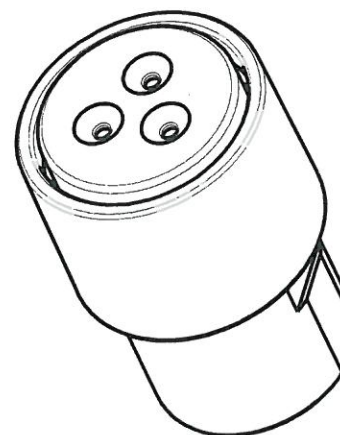
Email & Skype: info@chipsmall.com Web: www.chipsmall.com

Address: A1208, Overseas Decoration Building, #122 Zhenhua RD., Futian, Shenzhen, China



REV	ECN	APP'D
-	5791	J. TON
A	5951	J. TON
B	6109	J. TON
C	6589	<i>JT 10/12/10</i>

- NOTES:
- MATERIALS:
 HOUSING: PA 6/6
 CONTACT RETAINER: STAINLESS STEEL
 GROMMET: SILICONE RUBBER PER A-A-59588
 SEAL: SILICONE RUBBER PER A-A-59588
 - OPERATING RANGE:
 TEMPERATURE: -55 °C TO 95 °C
 INSULATION RESISTANCE: 5000 MEGOHMS MINIMUM
 DIELECTRIC WITHSTANDING VOLTAGE: 1500 VRMS SEA LEVEL
 600 VRMS @ 45,000 FT. ALTITUDE
 - CURRENT RATING: 13 AMPS
 - VIBRATION: PER EIA-364D METHOD 28, TEST CONDITION V.
 - ALTITUDE IMMERSION: PER EIA-364D METHOD 3 @ 55,000 FT (FORMERLY MIL-STD-1344 METHOD 1044)
 - ACCEPTS (3) M39029/58-364 PIN CONTACTS (NOT INCLUDED)
 - CONTACT RETENTION - 20 LBS EACH
 - LOCKING FEATURE - NO BREAK 45 LBS MIN



PART MARKING AS FOLLOWS:

APCD YYWW DATE CODE
 SJS8162XX CODE

SEE TABLE 1 FOR FULL PART NUMBERS

KEY CONFIGURATION SEE TABLE 1

APCD PART#	KEY	COLOR
SJS816200	A	RED
SJS816210	B	WHITE
SJS816220	C	BLUE

DIMENSIONS ANSI Y14.5M UNITS: INCHES Pro/E FILE	TOLERANCES .XX ±0.01 .XXX ±0.005 ANGLES ±1.0°	PROJECTION 	Amphenol Pcd SPECIFICATION DRAWING			TITLE IN-LINE JUNCTION TRIPLE WIRE, SIZE 16 RECEPTACLE		
			ENGR S. STONE 10/19/05	SIZE B	DWG NO. SJS816200	REV C	CODE: 58982	SCALE: 2:1
ORIGINAL 	THIS DOCUMENT CONTAINS PROPRIETARY INFORMATION WHICH IS THE CONFIDENTIAL PROPERTY OF AMPHENOL PCD INC., BEVERLY, MA			CHKD 10/12/10	APPD 10/12/10			

SJS816200

SJS816200