



Chipsmall Limited consists of a professional team with an average of over 10 year of expertise in the distribution of electronic components. Based in Hongkong, we have already established firm and mutual-benefit business relationships with customers from,Europe,America and south Asia,supplying obsolete and hard-to-find components to meet their specific needs.

With the principle of “Quality Parts,Customers Priority,Honest Operation,and Considerate Service”,our business mainly focus on the distribution of electronic components. Line cards we deal with include Microchip,ALPS,ROHM,Xilinx,Pulse,ON,Everlight and Freescale. Main products comprise IC,Modules,Potentiometer,IC Socket,Relay,Connector.Our parts cover such applications as commercial,industrial, and automotives areas.

We are looking forward to setting up business relationship with you and hope to provide you with the best service and solution. Let us make a better world for our industry!



Contact us

Tel: +86-755-8981 8866 Fax: +86-755-8427 6832

Email & Skype: info@chipsmall.com Web: www.chipsmall.com

Address: A1208, Overseas Decoration Building, #122 Zhenhua RD., Futian, Shenzhen, China

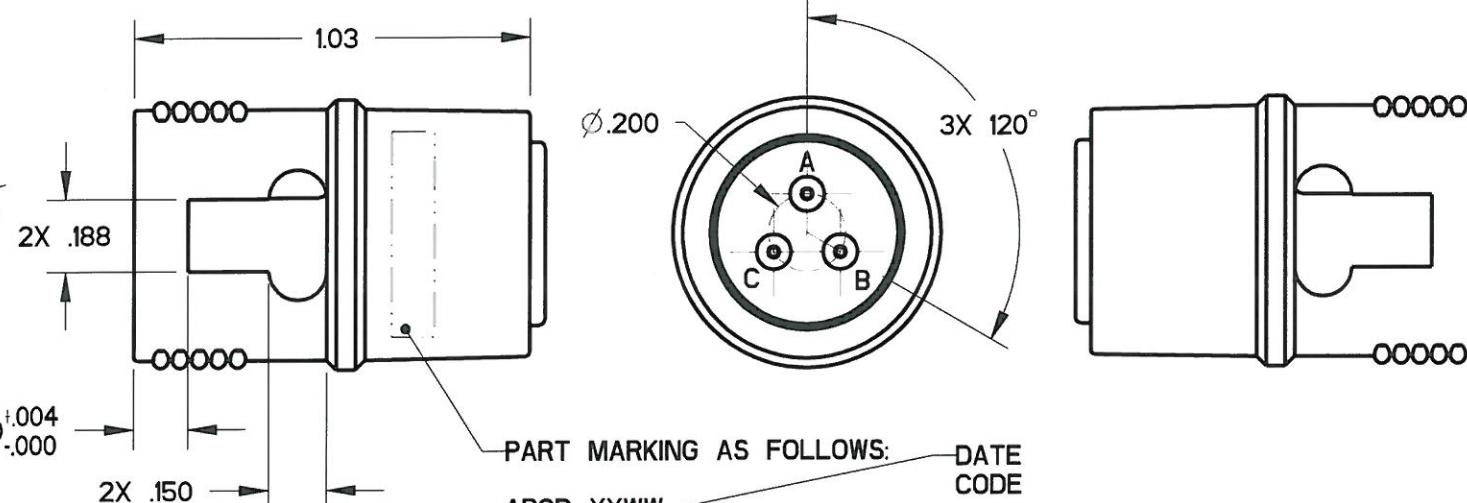
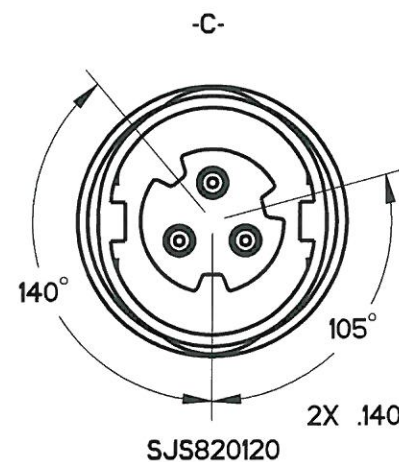
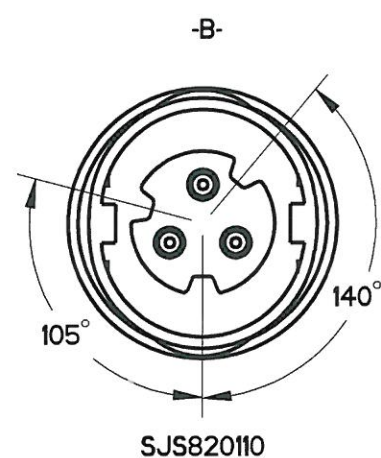
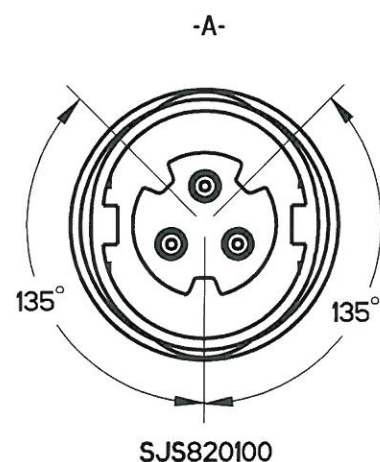
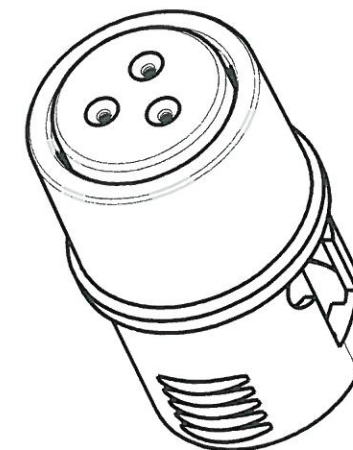
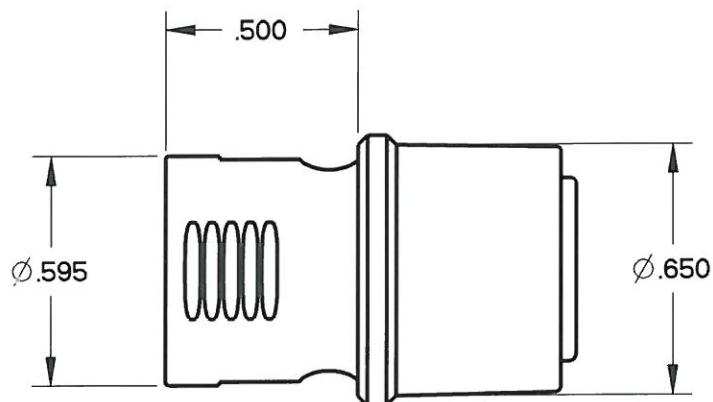


REV	ECN	APP'D
-	5791	J. TON
A	5951	J. TON
B	6102	J. TON
C	6109	JT 8/29/07
D	6589	JT 10/12/10

NOTES:

- MATERIALS:
HOUSING: PA 6/6
CONTACT RETAINER: STAINLESS STEEL
GROMMET: SILICONE RUBBER PER A-A-59588
- OPERATING RANGE:
TEMPERATURE: -55 °C TO 95 °C
INSULATION RESISTANCE: 5000 MEGOHMS MINIMUM
DIELECTRIC WITHSTANDING VOLTAGE: 1500 VRMS SEA LEVEL
600 VRMS @ 45,000 FT. ALTITUDE

CURRENT RATING: 7.5 AMPS
VIBRATION: PER EIA-364D METHOD 28, TEST CONDITION V.
ALTITUDE IMMERSION: PER EIA-364D METHOD 3 @ 55,000 FT
(FORMERLY MIL-STD-1344 METHOD 1044)
- ACCEPTS (3) M39029/56-351 SOCKET CONTACTS (NOT INCLUDED)
- CONTACT RETENTION - 20 LBS EACH
- LOCKING FEATURE - NO BREAK 35 LBS MIN



KEY CONFIGURATION SEE TABLE 1

SEE TABLE 1 FOR FULL PART NUMBERS

TABLE 1 - PART# SCHEME		
APCD PART#	KEY	COLOR
SJS820100	A	RED
SJS820110	B	WHITE
SJS820120	C	BLUE

DIMENSIONS ANSI Y14.5M UNITS: INCHES Pro/E FILE	TOLERANCES .XX ±0.01 .XXX ±0.005 ANGLES ±1.0°	PROJECTION 	Amphenol Pcd SPECIFICATION DRAWING			TITLE IN-LINE JUNCTION TRIPLE WIRE, SIZE 20 PLUG		
			ENGR S. STONE 01/27/06	CHKD 10/12/10	APP'D 10/12/10	SIZE B	DWG NO. SJS820100	REV D

THIS DOCUMENT CONTAINS PROPRIETARY INFORMATION WHICH IS THE CONFIDENTIAL PROPERTY OF AMPHENOL PCD INC., BEVERLY, MA

SJS820100

SJS820100