



Chipsmall Limited consists of a professional team with an average of over 10 year of expertise in the distribution of electronic components. Based in Hongkong, we have already established firm and mutual-benefit business relationships with customers from,Europe,America and south Asia,supplying obsolete and hard-to-find components to meet their specific needs.

With the principle of "Quality Parts,Customers Priority,Honest Operation,and Considerate Service",our business mainly focus on the distribution of electronic components. Line cards we deal with include Microchip,ALPS,ROHM,Xilinx,Pulse,ON,Everlight and Freescale. Main products comprise IC,Modules,Potentiometer,IC Socket,Relay,Connector.Our parts cover such applications as commercial,industrial, and automotives areas.

We are looking forward to setting up business relationship with you and hope to provide you with the best service and solution. Let us make a better world for our industry!



## Contact us

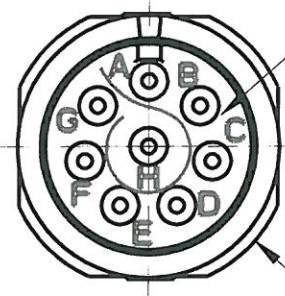
Tel: +86-755-8981 8866 Fax: +86-755-8427 6832

Email & Skype: info@chipsmall.com Web: www.chipsmall.com

Address: A1208, Overseas Decoration Building, #122 Zhenhua RD., Futian, Shenzhen, China

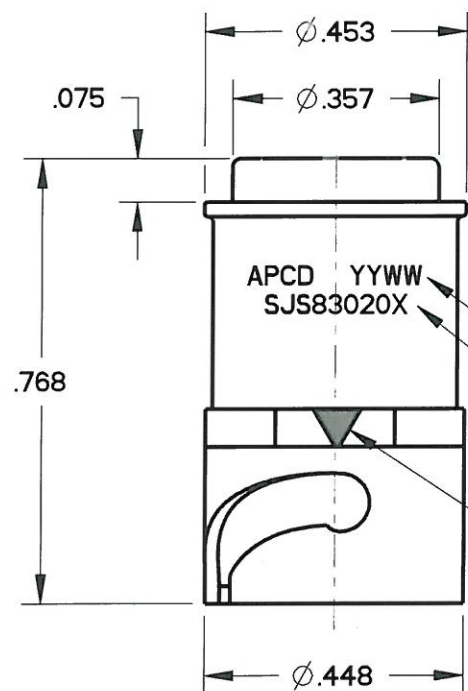


REV	ECN	APP'D
-	6253	JT 8/6/08
A	6297	JT 1/14/09
B	6431	JT 10/28/09
C	6716	JT 8/18/11



GROMMET MARKING  
.040 HIGH CHARACTERS  
COLOR: CONTRASTING

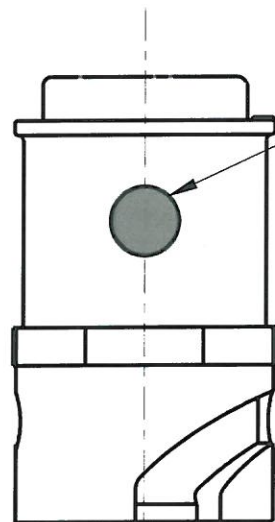
∅.493



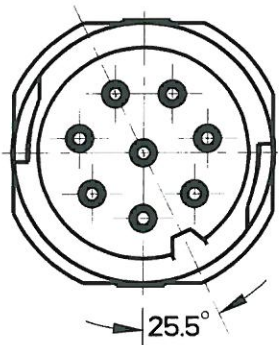
APCD YYWW  
SJS83020X

DATE CODE  
PART MARKING  
COLOR: SEE TABLE 1

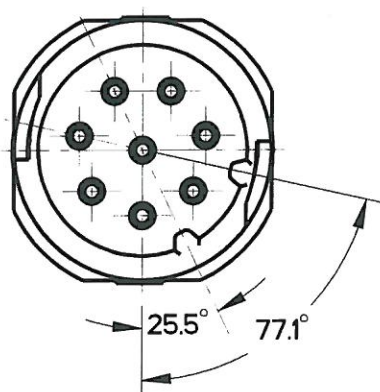
MARKING  
COLOR: SEE TABLE 1  
TWO SIDES



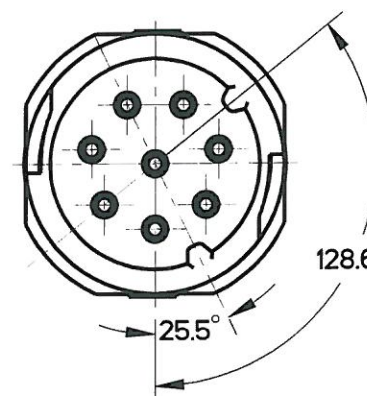
DOT  
COLOR: SEE TABLE 1



KEY A (BLACK)



KEY B (GREEN)



KEY C (YELLOW)

APCD P/N	HOUSING COLOR	MARKING COLOR	KEY CONFIGURATION
SJS830200	BLACK	WHITE	A
SJS830201	GREEN	BLACK	B
SJS830202	YELLOW	BLACK	C

- NOTES:  
1. MATERIALS:  
HOUSING: PA6/6  
CONTACT RETAINER: STAINLESS STEEL  
GROMMET: SILICONE RUBBER PER A-A-59588  
2. ACCEPTS M39029/58-360 PIN CONTACTS (NOT INCLUDED)  
3. TEST REPORT: TR-1592.  
4. PART MATES WITH SJS83010X

DIMENSIONS	TOLERANCES	PROJECTION	TITLE		
ANSI Y14.5M UNITS: INCHES Pro/E FILE	.XX ±0.01 .XXX ±0.005 ANGLES ±2.0°		<b>Amphenol Pcd</b> SPECIFICATION DRAWING ENGR WESLEY YU 07-Oct-08		
ORIGINAL	THIS DOCUMENT CONTAINS PROPRIETARY INFORMATION WHICH IS THE CONFIDENTIAL PROPERTY OF AMPHENOL PCD INC., BEVERLY, MA	CHKD  8/18/11 ARPB  8/18/11			
			CODE: 58982	SCALE: 3:1	SHEET 1 OF 1

SJS830200

SJS830200