



Chipsmall Limited consists of a professional team with an average of over 10 year of expertise in the distribution of electronic components. Based in Hongkong, we have already established firm and mutual-benefit business relationships with customers from,Europe,America and south Asia,supplying obsolete and hard-to-find components to meet their specific needs.

With the principle of “Quality Parts,Customers Priority,Honest Operation,and Considerate Service”,our business mainly focus on the distribution of electronic components. Line cards we deal with include Microchip,ALPS,ROHM,Xilinx,Pulse,ON,Everlight and Freescale. Main products comprise IC,Modules,Potentiometer,IC Socket,Relay,Connector.Our parts cover such applications as commercial,industrial, and automotives areas.

We are looking forward to setting up business relationship with you and hope to provide you with the best service and solution. Let us make a better world for our industry!



Contact us

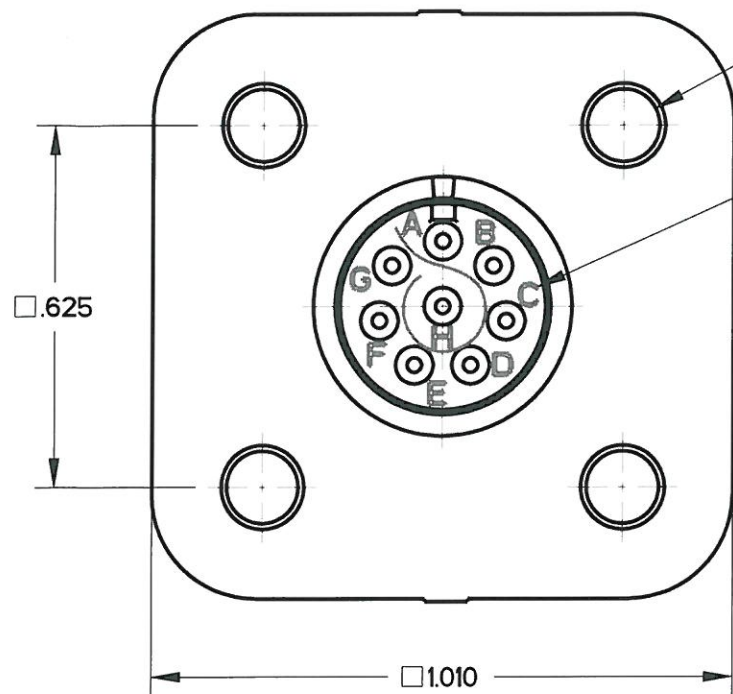
Tel: +86-755-8981 8866 Fax: +86-755-8427 6832

Email & Skype: info@chipsmall.com Web: www.chipsmall.com

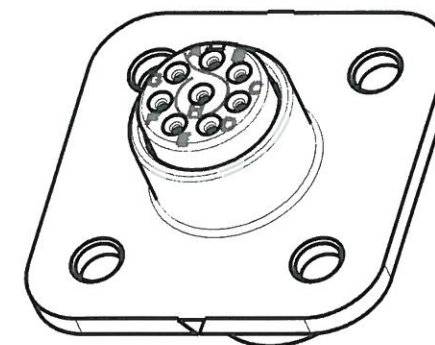
Address: A1208, Overseas Decoration Building, #122 Zhenhua RD., Futian, Shenzhen, China



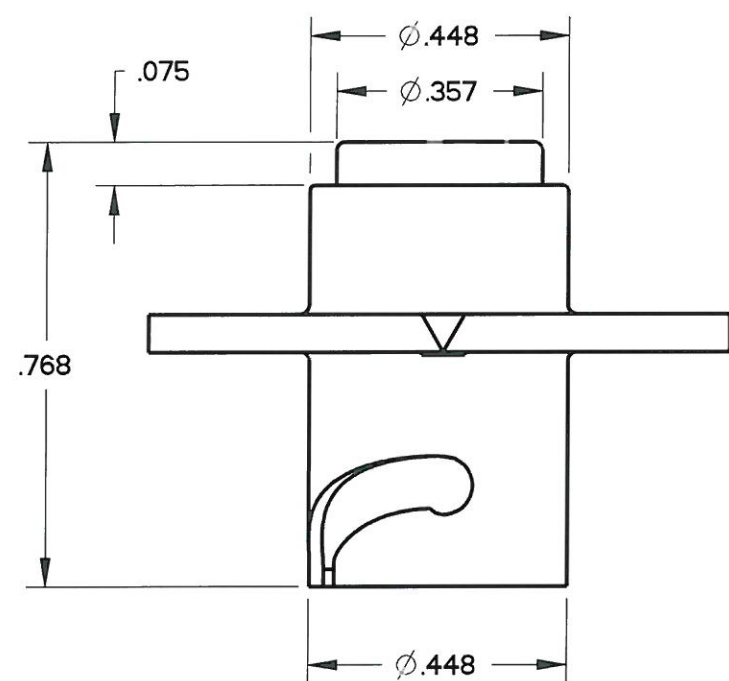
REV	ECN	APP'D
-	6716	<i>[Signature]</i>



4X Ø.125 THRU HOLES
GROMMET MARKING
.040 HIGH CHARACTERS
COLOR: CONTRASTING

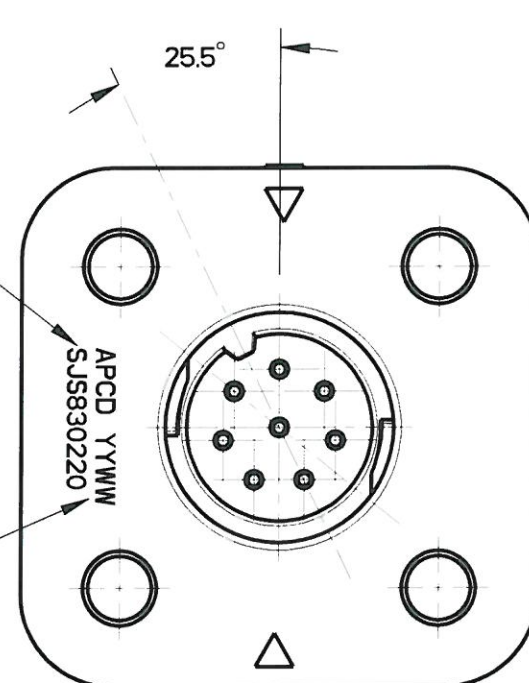


SCALE 2:1

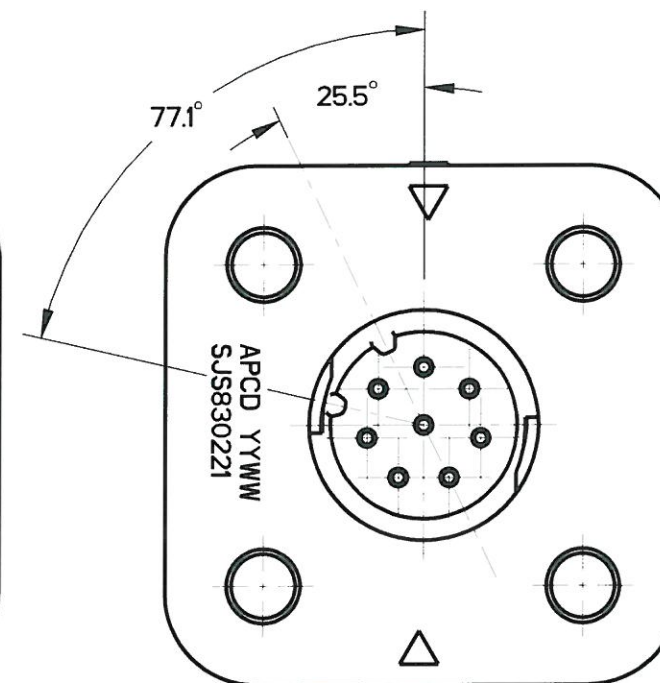


PART MARKING
COLOR: SEE TABLE 1

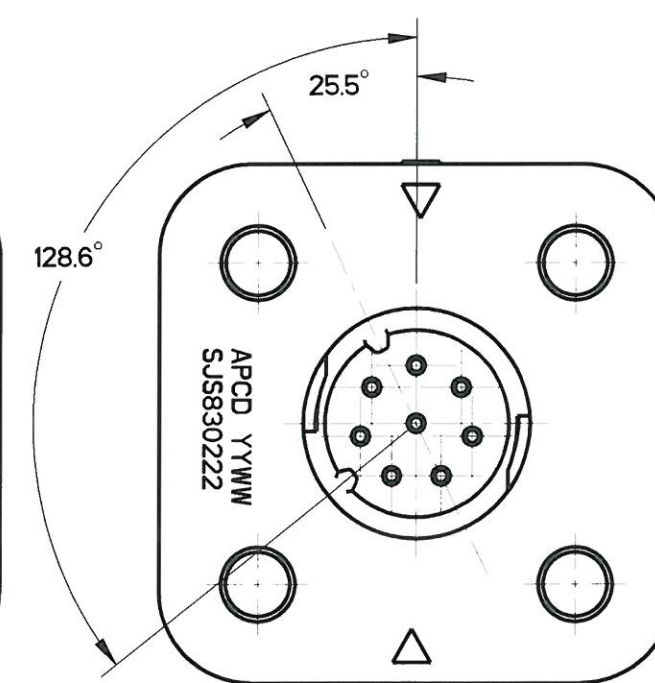
DATE CODE



KEY A (BLACK)



KEY B (GREEN)



KEY C (YELLOW)

PART NUMBER SCHEME			
APCD P/N	HOUSING COLOR	MARKING COLOR	KEY CONFIGURATION
SJS830220	BLACK	WHITE	A
SJS830221	GREEN	BLACK	B
SJS830222	YELLOW	BLACK	C

- NOTES:
1. MATERIALS:
HOUSING: PA6/6
CONTACT RETAINER: STAINLESS STEEL
GROMMET: SILICONE RUBBER PER A-A-59588, COLOR: RED
2. ACCEPTS M39029/58-360 PIN CONTACTS (NOT INCLUDED)
3. PART MATES WITH SJS83010X

DIMENSIONS ANSI Y14.5M UNITS: INCHES Pro/E FILE	TOLERANCES .XX ±0.01 .XXX ±0.005 ANGLES ±2.0°	PROJECTION 	Amphenol Pcd SPECIFICATION DRAWING ENGR WESLEY YU, 22-Mar-11	TITLE SJS, PANEL MOUNT RECEPTACLE 8 POSITION, SIZE 22 SHELL SIZE 7		
ORIGINAL 	THIS DOCUMENT CONTAINS PROPRIETARY INFORMATION WHICH IS THE CONFIDENTIAL PROPERTY OF AMPHENOL PCD INC., BEVERLY, MA		CHKD <i>[Signature]</i> 9/2/11	SIZE B	DWG NO. SJS830220_CE	REV -
CODE: 58982				SCALE: 3:1	SHEET 1 OF 1	

SJS830220