



Chipsmall Limited consists of a professional team with an average of over 10 year of expertise in the distribution of electronic components. Based in Hongkong, we have already established firm and mutual-benefit business relationships with customers from,Europe,America and south Asia,supplying obsolete and hard-to-find components to meet their specific needs.

With the principle of “Quality Parts,Customers Priority,Honest Operation,and Considerate Service”,our business mainly focus on the distribution of electronic components. Line cards we deal with include Microchip,ALPS,ROHM,Xilinx,Pulse,ON,Everlight and Freescale. Main products comprise IC,Modules,Potentiometer,IC Socket,Relay,Connector.Our parts cover such applications as commercial,industrial, and automotives areas.

We are looking forward to setting up business relationship with you and hope to provide you with the best service and solution. Let us make a better world for our industry!



Contact us

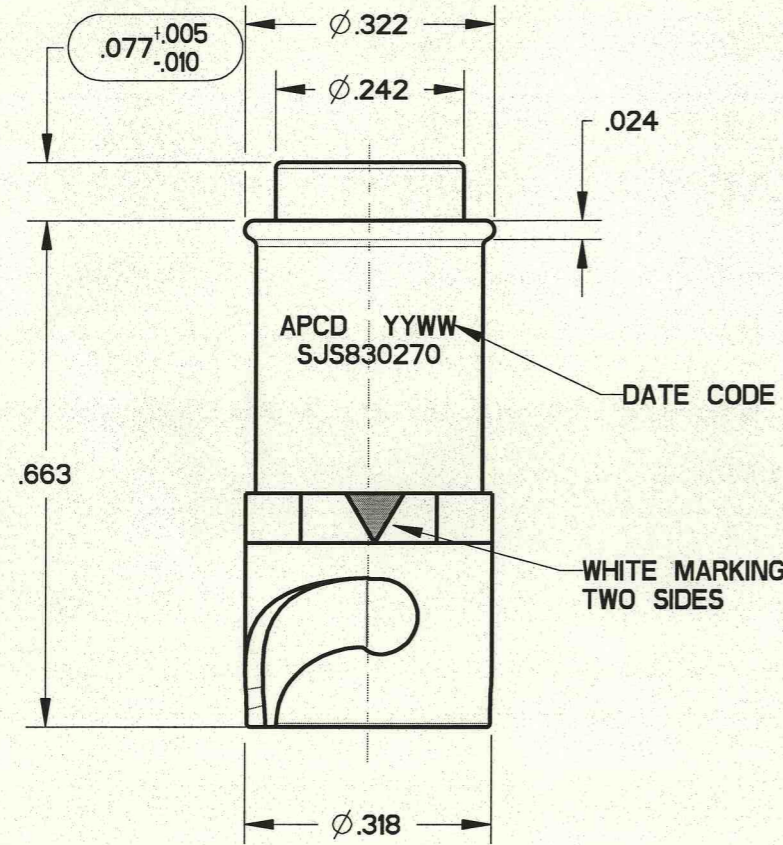
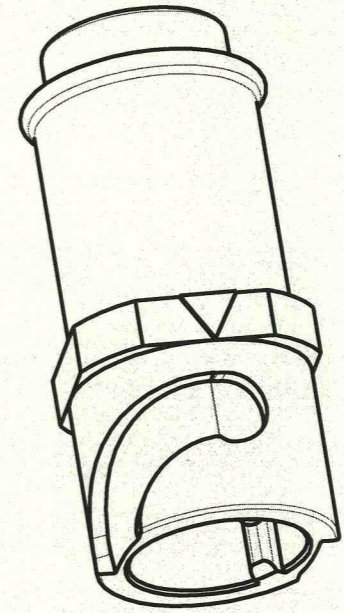
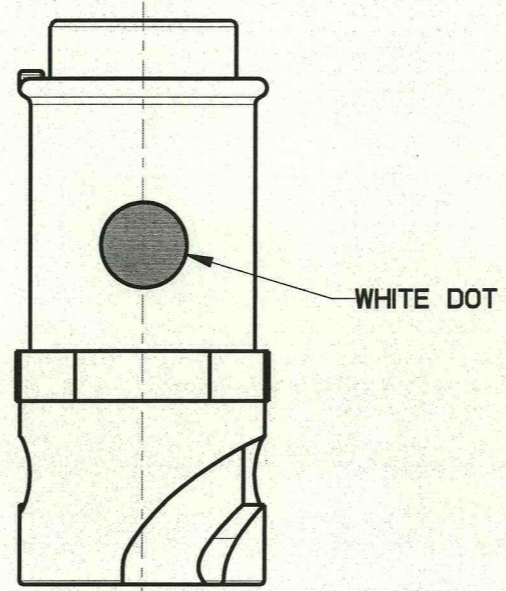
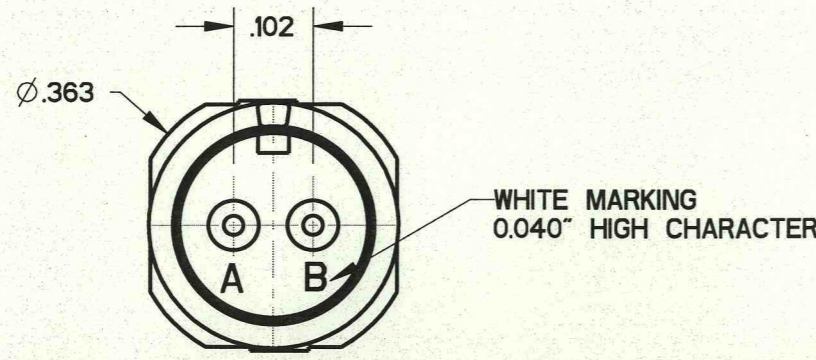
Tel: +86-755-8981 8866 Fax: +86-755-8427 6832

Email & Skype: info@chipsmall.com Web: www.chipsmall.com

Address: A1208, Overseas Decoration Building, #122 Zhenhua RD., Futian, Shenzhen, China



REV	ECN	APP'D
-	6431	07/28/09



TEST	REQUIREMENT	TEST METHOD MIL-STD-1344 (SUPERSEDED BY EIA 364)
OPERATING TEMP.	- 65° TO + 125° C	N/A
CONTACT RESISTANCE	.020 OHMS MAXIMUM	#3004 (EIA-364-6)
DIELECTRIC WITHSTANDING	1000 VRMS, 60Hz • SEA LEVEL 300 VRMS, 60Hz • 70,000 FEET 300 VRMS, 60Hz • 100,000 FEET	#3001 (EIA-364-20)
INSULATION RESISTANCE	5000 MEGAOHMS MINIMUM • 500 VDC	#3003 (EIA-364-21)
DURABILITY	500 MATING CYCLES	MIL-DTL-55302 4.5.9
TEMPERATURE CYCLING	5 (I) HR CYCLES: -65° C TO +125° C	#1003 (EIA-364-32)
VIBRATION	10-2000 Hz, 15G PEAK	#2005 (EIA-364-28)
SHOCK	100G SAWTOOTH, 6MS	#2004 (EIA-364-27)
SALT SPRAY	5% SALT SPRAY • 95° F FOR 48 HRS	#1001 (EIA-364-26)
HUMIDITY	10 DAYS • 25° C TO 65° C, 80-90% RH	#1002 (EIA-364-31)

- NOTES:
- MATERIALS:
HOUSING: PA6/6
CONTACT RETAINER: STAINLESS STEEL
GROMMET: SILICONE RUBBER PER A-A-59588
 - ACCEPTS M39029/58-360 PIN CONTACTS (NOT INCLUDED)
 - TEST SPECIFICATION REFER TO THE TABLE
 - PART MATES WITH SJS830250
 - WEIGHT: 1.1 GRAMS

DIMENSIONS ANSI Y14.5M UNITS: INCHES Pro/E FILE	TOLERANCES .XX ±0.01 .XXX ±0.005 ANGLES ±0.5°	PROJECTION 	Amphenol Pcd SPECIFICATION DRAWING ENGR Frank.Li 15-Jan-09		TITLE SIZE22 2P RECEPTACLE FOR SJS	
			CHKD 10/28/09 APPD 10/28/09	SIZE B DWG NO. SJS830270_CE REV -	CODE: 58982 SCALE: 4:1 SHEET 1 OF 1	

THIS DOCUMENT CONTAINS PROPRIETARY INFORMATION WHICH IS THE CONFIDENTIAL PROPERTY OF AMPHENOL PCD INC., BEVERLY, MA

SJS830270

SJS830270