



Chipsmall Limited consists of a professional team with an average of over 10 year of expertise in the distribution of electronic components. Based in Hongkong, we have already established firm and mutual-benefit business relationships with customers from,Europe,America and south Asia,supplying obsolete and hard-to-find components to meet their specific needs.

With the principle of "Quality Parts,Customers Priority,Honest Operation,and Considerate Service",our business mainly focus on the distribution of electronic components. Line cards we deal with include Microchip,ALPS,ROHM,Xilinx,Pulse,ON,Everlight and Freescale. Main products comprise IC,Modules,Potentiometer,IC Socket,Relay,Connector.Our parts cover such applications as commercial,industrial, and automotives areas.

We are looking forward to setting up business relationship with you and hope to provide you with the best service and solution. Let us make a better world for our industry!



## Contact us

Tel: +86-755-8981 8866 Fax: +86-755-8427 6832

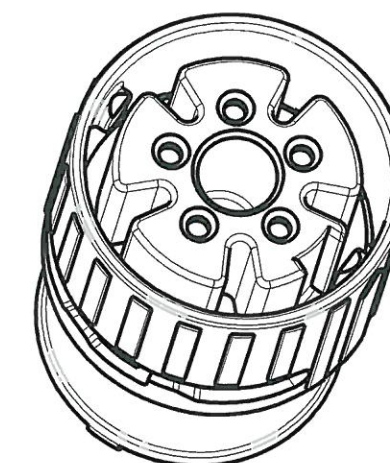
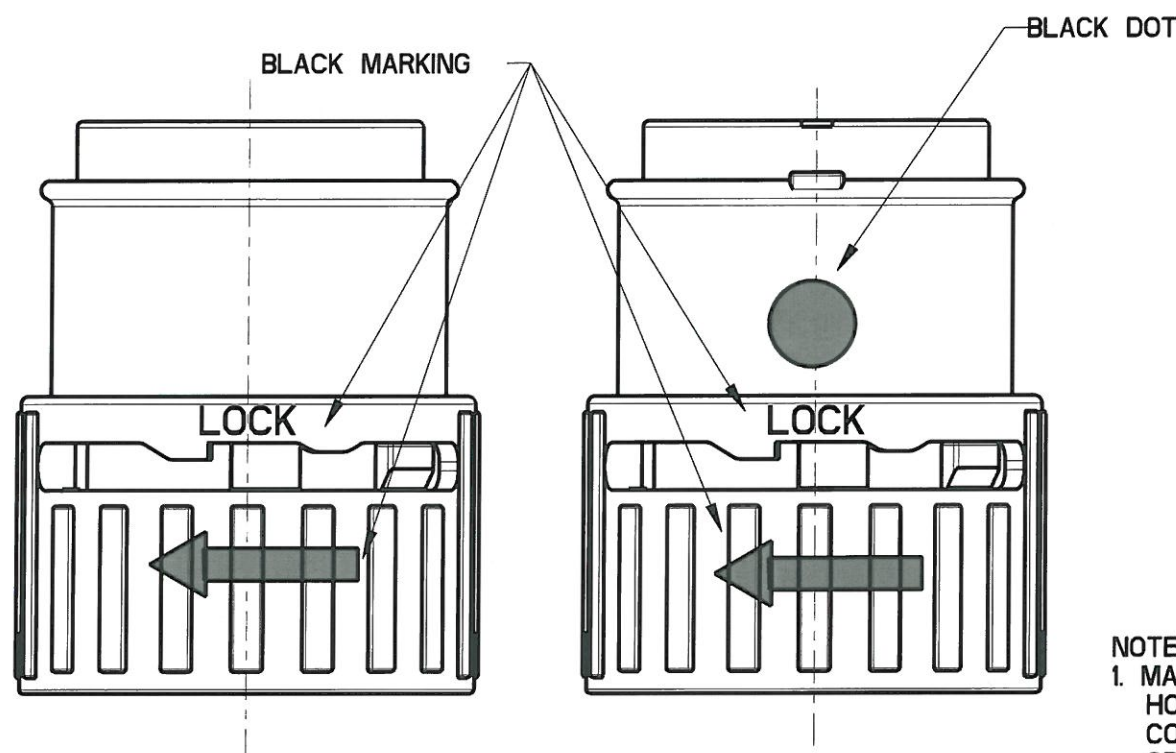
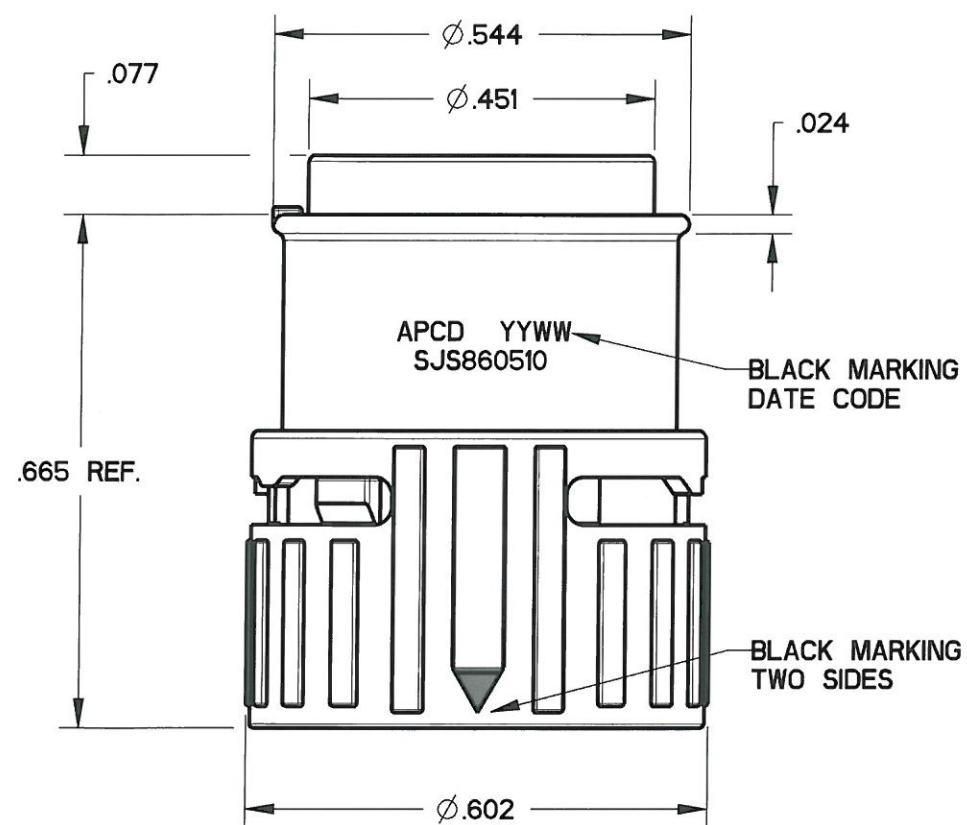
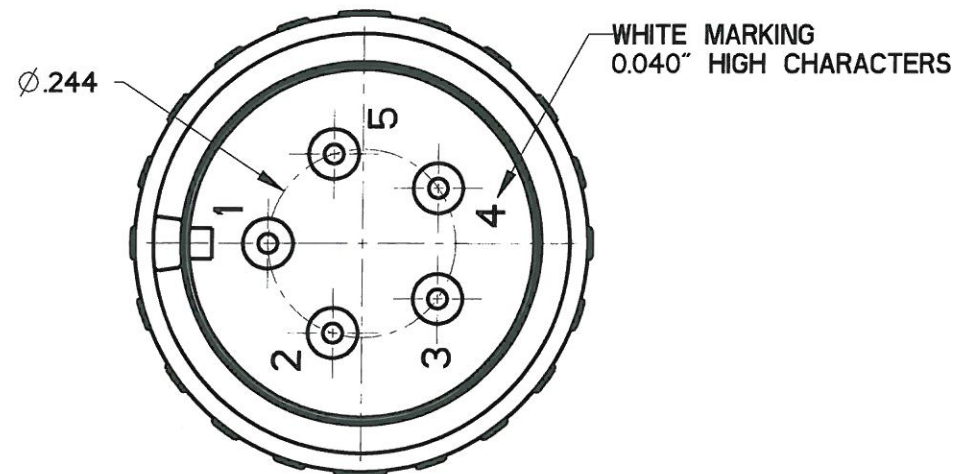
Email & Skype: info@chipsmall.com Web: www.chipsmall.com

Address: A1208, Overseas Decoration Building, #122 Zhenhua RD., Futian, Shenzhen, China



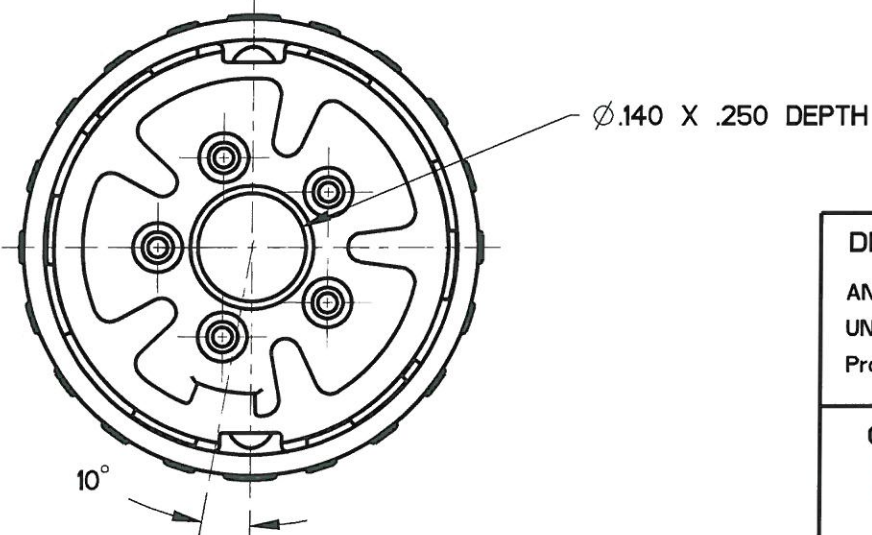


REV	ECN	APP'D
-	6498	JT 3/11/10
A	6564	JT 8/6/10
B	6655	<i>[Signature]</i>



SCALE 3:1

- NOTES:
- MATERIALS:  
HOUSING: PA6/6  
CONTACT RETAINER: STAINLESS STEEL  
GROMMET: SILICONE RUBBER PER A-A-59588
  - ACCEPTS M39029/57-354 SOCKET CONTACTS (NOT INCLUDED)
  - WHEN ASSEMBLED, "LOCK" AND ARROW MARKINGS MUST ALIGN WITH BLACK DOT
  - PART MATES WITH SJS860500 OR SJS860520
  - WEIGHT: 2.6 GRAMS
  - SUPPLIED WITH DUST CAP



<b>DIMENSIONS</b> ANSI Y14.5M UNITS: INCHES Pro/E FILE	<b>TOLERANCES</b> .XX ±0.01 .XXX ±0.005 ANGLES ±10°	<b>PROJECTION</b> 	<b>Amphenol Pcd</b> SPECIFICATION DRAWING		<b>TITLE</b> 5P SZ22 INLINE WHITE PLUG FOR SJS	
			ENGR Frank.Li 15-Mar-09	CHKD <i>[Signature]</i> 1/18/11	APPD <i>[Signature]</i> 1/21/11	SIZE <b>B</b>
ORIGINAL 	THIS DOCUMENT CONTAINS PROPRIETARY INFORMATION WHICH IS THE CONFIDENTIAL PROPERTY OF AMPHENOL PCD INC., BEVERLY, MA			CODE: 58982	SCALE: 4:1	SHEET 1 OF 1

SJS860510

SJS860510