



Chipsmall Limited consists of a professional team with an average of over 10 year of expertise in the distribution of electronic components. Based in Hongkong, we have already established firm and mutual-benefit business relationships with customers from,Europe,America and south Asia,supplying obsolete and hard-to-find components to meet their specific needs.

With the principle of “Quality Parts,Customers Priority,Honest Operation,and Considerate Service”,our business mainly focus on the distribution of electronic components. Line cards we deal with include Microchip,ALPS,ROHM,Xilinx,Pulse,ON,Everlight and Freescale. Main products comprise IC,Modules,Potentiometer,IC Socket,Relay,Connector.Our parts cover such applications as commercial,industrial, and automotives areas.

We are looking forward to setting up business relationship with you and hope to provide you with the best service and solution. Let us make a better world for our industry!



Contact us

Tel: +86-755-8981 8866 Fax: +86-755-8427 6832

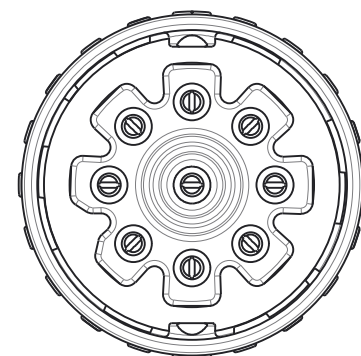
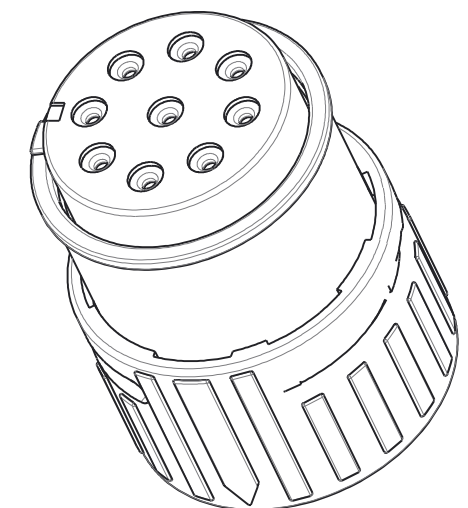
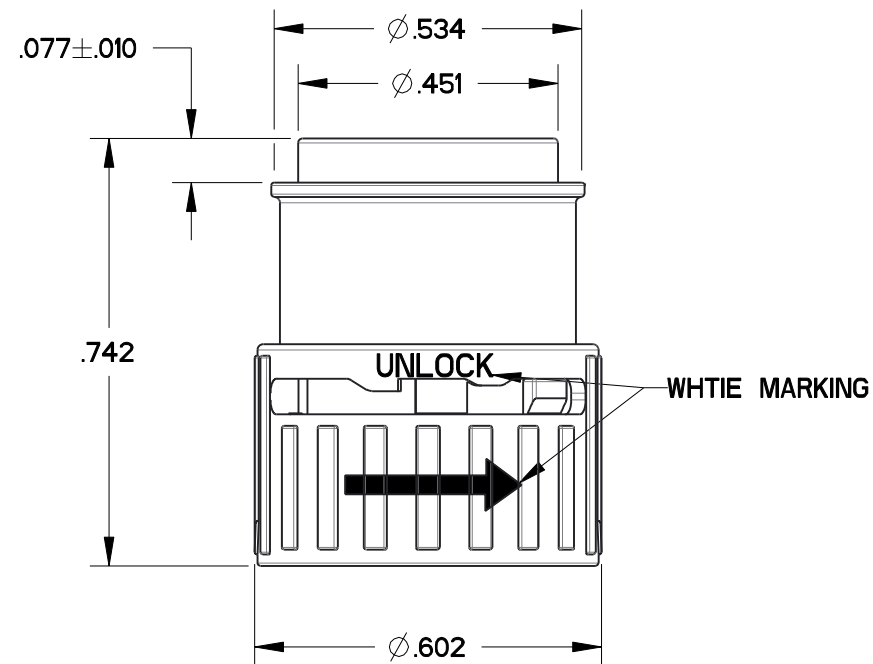
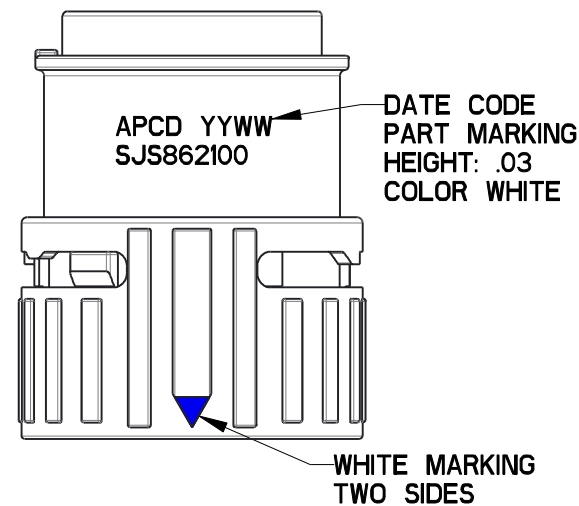
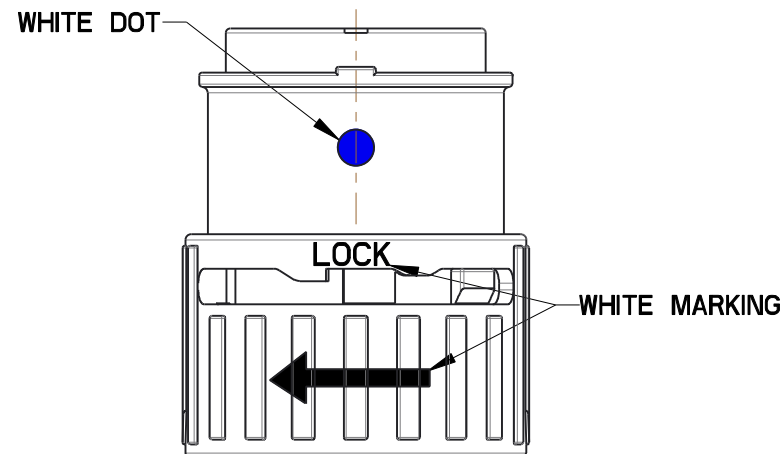
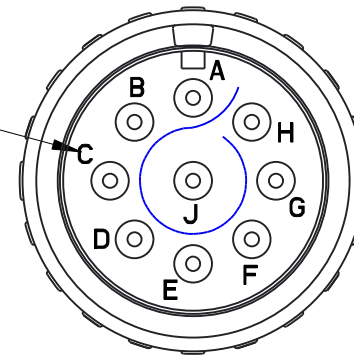
Email & Skype: info@chipsmall.com Web: www.chipsmall.com

Address: A1208, Overseas Decoration Building, #122 Zhenhua RD., Futian, Shenzhen, China



REV	ECN	APP'D
-		

GROMMET MARKING
.04 HIGH CHARACTERS
COLOR: CONTRASTING



APCD P/N	CONTACTS SUPPLIED	PART MARKING
SJS862100	NONE	SJS862100
SJS862101	(9) M39029/57-354	

- NOTES:
 1. MATERIALS:
 HOUSING: PA6/6, COLOR: BLACK.
 COUPLING NUT: PA6/6, COLOR: BLACK.
 CONTACT RETAINER: STAINLESS STEEL.
 GROMMET: SILICONE RUBBER PER A-A-59588. COLOR: RED
 2. MATING CONTACTS: SEE TABLE 1.
 3. PART MATES WITH SJS862200/201.
 4. EST. WEIGHT: 2.4 GRAMS.
 5. SUPPLIED WITH DUST CAP.

DIMENSIONS ANSI Y14.5M UNITS: INCHES Pro/E FILE	TOLERANCES .XX ±0.01 .XXX ±0.005 ANGLES ±1.0°	PROJECTION 	Amphenol Pcd SPECIFICATION DRAWING			TITLE SJS PLUG 9 POSITION SIZE 22		
			ENGR Sean.Zeng Apr-18-13	CHKD	APPD	SIZE B	DWG NO. SJS862100_CE	REV -
ORIGINAL	THIS DOCUMENT CONTAINS PROPRIETARY INFORMATION WHICH IS THE CONFIDENTIAL PROPERTY OF AMPHENOL PCD INC., BEVERLY, MA			CODE: 58982	SCALE: 3:1	SHEET 1 OF 1		

SJS862100_CE

SJS862100_CE