



Chipsmall Limited consists of a professional team with an average of over 10 year of expertise in the distribution of electronic components. Based in Hongkong, we have already established firm and mutual-benefit business relationships with customers from,Europe,America and south Asia,supplying obsolete and hard-to-find components to meet their specific needs.

With the principle of “Quality Parts,Customers Priority,Honest Operation,and Considerate Service”,our business mainly focus on the distribution of electronic components. Line cards we deal with include Microchip,ALPS,ROHM,Xilinx,Pulse,ON,Everlight and Freescale. Main products comprise IC,Modules,Potentiometer,IC Socket,Relay,Connector.Our parts cover such applications as commercial,industrial, and automotives areas.

We are looking forward to setting up business relationship with you and hope to provide you with the best service and solution. Let us make a better world for our industry!



## Contact us

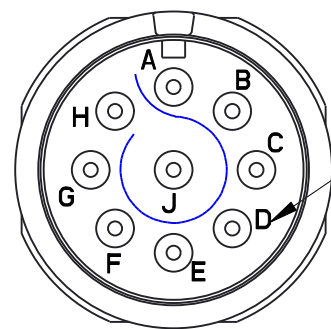
Tel: +86-755-8981 8866 Fax: +86-755-8427 6832

Email & Skype: info@chipsmall.com Web: www.chipsmall.com

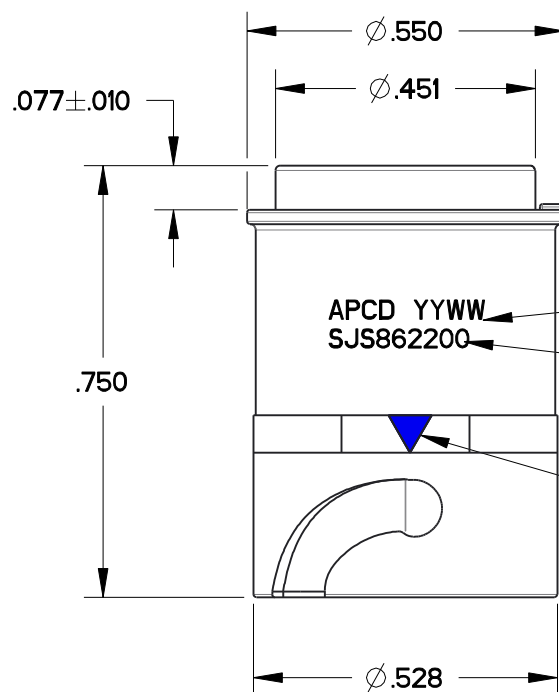
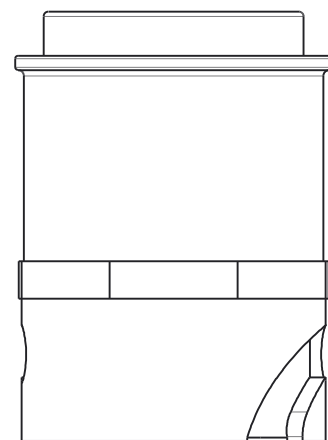
Address: A1208, Overseas Decoration Building, #122 Zhenhua RD., Futian, Shenzhen, China



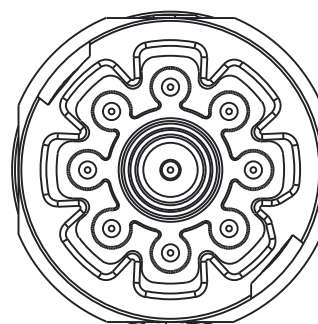
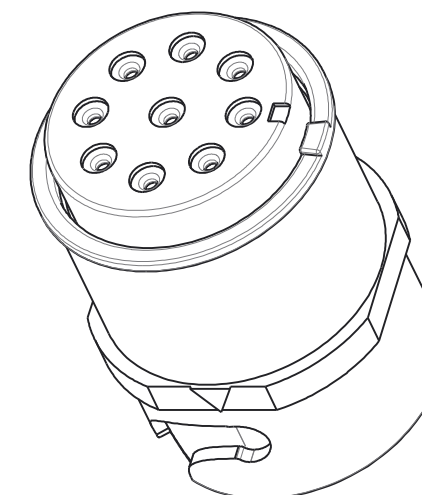
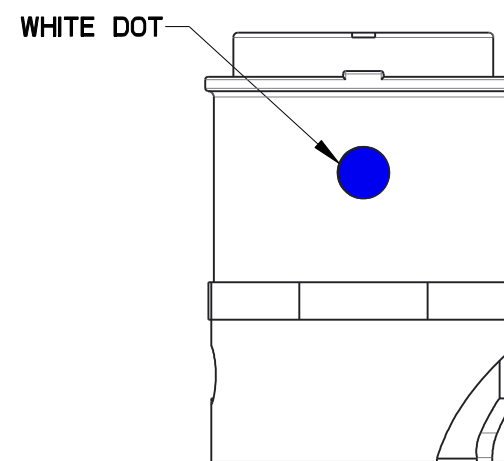
REV	ECN	APP'D
-		



GROMMET MARKING  
.04 HIGH CHARACTERS  
COLOR: CONTRASTING



DATE CODE  
PART MARKING  
HEIGHT: .03  
COLOR WHITE  
WHITE MARKING  
TWO SIDES



- NOTES:  
1. MATERIALS:  
HOUSING: PA6/6, COLOR: BLACK.  
CONTACT RETAINER: STAINLESS STEEL.  
GROMMET&FACE SEAL: SILICONE RUBBER PER A-A-59588,COLOR: RED  
2. MATING CONTACTS: SEE TABLE 1.  
3. PART MATES WITH SJS862100/101.  
4. EST. WEIGHT: 2.4 GRAMS.  
5. SUPPLIED WITH DUST CAP.

APCD P/N	CONTACTS SUPPLIED	PART MARKING
SJS862200	NONE	SJS862200
SJS862201	(9) M39029/58-360	

<b>DIMENSIONS</b> ANSI Y14.5M UNITS: INCHES Pro/E FILE	<b>TOLERANCES</b> .XX ±0.01 .XXX ±0.005 ANGLES ±0.5°	<b>PROJECTION</b> 	<b>Amphenol Pcd</b> SPECIFICATION DRAWING			<b>TITLE</b> SJS, RECEPTACLE 9 POSITION, SIZE 22		
			ENGR Sean.Zeng Apr-19-13 CHKD APPD		SIZE B	DWG NO. SJS862200_CE	REV -	
ORIGINAL	THIS DOCUMENT CONTAINS PROPRIETARY INFORMATION WHICH IS THE CONFIDENTIAL PROPERTY OF AMPHENOL PCD INC., BEVERLY, MA			CODE: 58982	SCALE: 3:1	SHEET 1 OF 1		

SJS862200\_CE

SJS862200\_CE