



Chipsmall Limited consists of a professional team with an average of over 10 year of expertise in the distribution of electronic components. Based in Hongkong, we have already established firm and mutual-benefit business relationships with customers from,Europe,America and south Asia,supplying obsolete and hard-to-find components to meet their specific needs.

With the principle of “Quality Parts,Customers Priority,Honest Operation,and Considerate Service”,our business mainly focus on the distribution of electronic components. Line cards we deal with include Microchip,ALPS,ROHM,Xilinx,Pulse,ON,Everlight and Freescale. Main products comprise IC,Modules,Potentiometer,IC Socket,Relay,Connector.Our parts cover such applications as commercial,industrial, and automotives areas.

We are looking forward to setting up business relationship with you and hope to provide you with the best service and solution. Let us make a better world for our industry!



## Contact us

Tel: +86-755-8981 8866 Fax: +86-755-8427 6832

Email & Skype: info@chipsmall.com Web: www.chipsmall.com

Address: A1208, Overseas Decoration Building, #122 Zhenhua RD., Futian, Shenzhen, China



PCD PART NO.	AIR FORCE PART NO. *	QUANTITY OF MODULES PER RAIL (SIZES 16, 20 & 22)	A ±.015	B ±.015
SJT50220X	8027520-1-102	2	1.036	.518
SJT50320X	8027520-1-103	3	1.554	1.036
SJT50420X	8027520-1-104	4	2.072	1.554
SJT50520X	8027520-1-105	5	2.590	2.072
SJT50620X	8027520-1-106	6	3.108	2.590
SJT50720X	8027520-1-107	7	3.626	3.108
SJT50820X	8027520-1-108	8	4.144	3.626
SJT50920X	8027520-1-109	9	4.662	4.144
SJT51020X	8027520-1-110	10	5.180	4.662
SJT51120X		11	5.698	5.180
SJT51220X	8027520-1-112	12	6.216	5.698
SJT51320X		13	6.734	6.216
SJT51420X	8027520-1-114	14	7.252	6.734
SJT51520X		15	7.770	7.252
SJT51620X		16	8.288	7.770
SJT51720X		17	8.806	8.288
SJT51820X		18	9.324	8.806
SJT51920X		19	9.842	9.324
SJT52020X	8027520-1-120	20	10.360	9.842
SJT52120X		21	10.875	10.360
SJT52220X		22	11.396	10.875
SJT52320X		23	11.914	11.396
SJT52420X		24	12.432	11.914
SJT52520X	8027520-1-125	25	12.950	12.432
SJT52620X		26	13.468	12.950
SJT52720X		27	13.986	13.468
SJT52820X		28	14.504	13.986
SJT52920X		29	15.022	14.504
SJT53020X	8027520-1-130	30	15.540	15.022
SJT53120X		31	16.058	15.540
SJT53220X	8027520-1-132	32	16.576	16.058
SJT53320X		33	17.094	16.576
SJT53420X		34	17.612	17.094
SJT53520X		35	18.130	17.612
SJT53620X		36	18.648	18.130
SJT53720X		37	19.166	18.648
SJT53820X		38	19.684	19.166
SJT53920X		39	20.202	19.684
SJT54020X	8027520-1-140	40	20.720	20.202

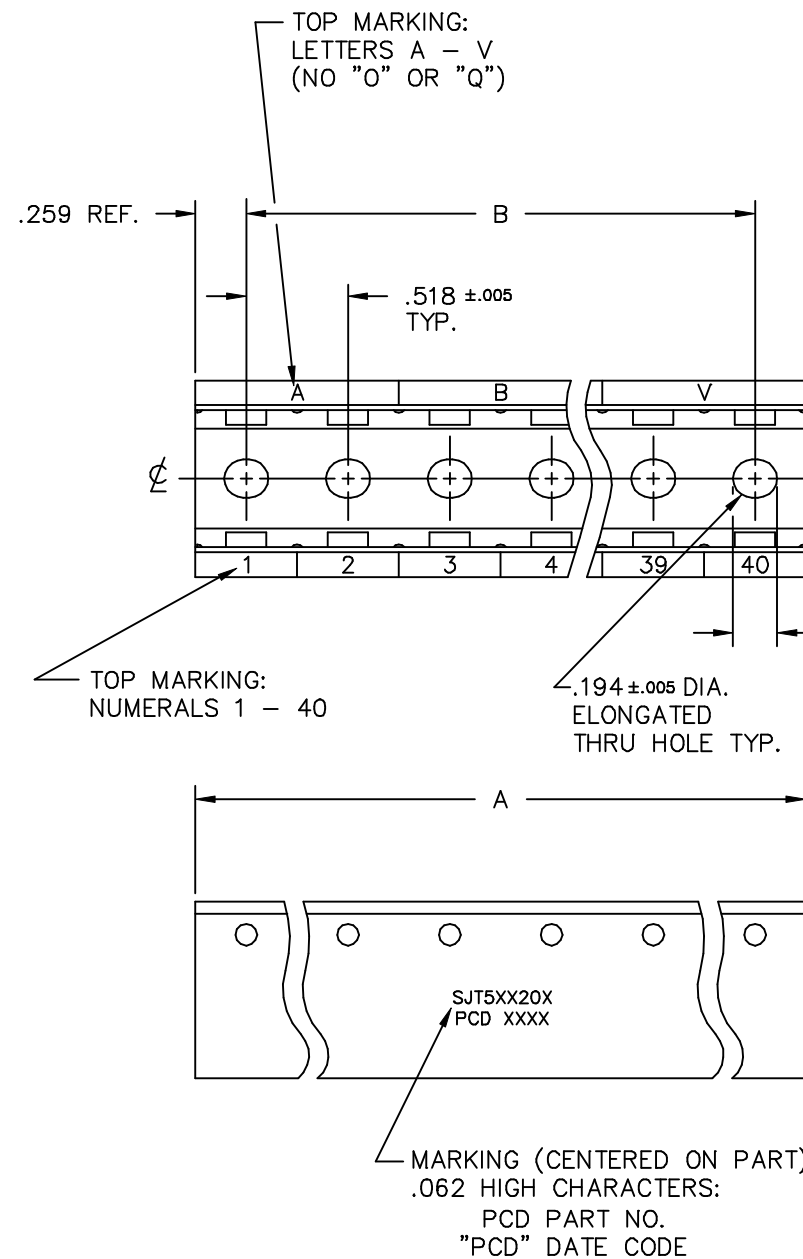
\* - REQUIRES NICKEL FINISH

TABLE 1

PCD P/N LAST DIGIT	EXTRUSION FINISH	MARKING COLOR
1	NICKEL PLATE	BLUE
2	CLEAR CADMIUM	BLUE
3	OLIVE DRAB CADMIUM	BLACK
4	BLACK ANODIZE	WHITE

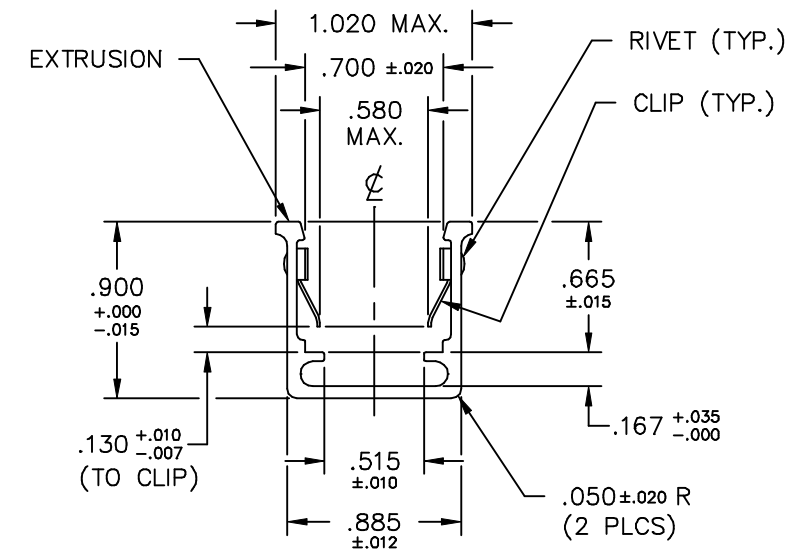
TABLE 2

REVISIONS				
REV	ECN	DESCRIPTION	DATE	APP
A	1357	REDRAWN		



NOTES:

- PART SHALL MEET ALL REQUIREMENTS OF U.S. AIR FORCE DRAWING NO. 8027520-1 UNLESS OTHERWISE SPECIFIED.
- MATERIALS:
  - EXTRUSION - ALUMINUM ALLOY, FINISH PER TABLE 2.
  - CLIP - STAINLESS STEEL.
  - RIVET - STAINLESS STEEL.
- MARKINGS ARE FLUSH WITH SURFACES; COLOR PER TABLE 2.
- RAILS ACCEPT MODULES PER AFLC 8027520; PCD SJ SERIES.
- QUANTITY OF SIZE 12 MODULES PER RAIL IS HALF THE QUANTITY OF SIZE 16, 20 & 22 MODULES (SEE TABLE 1).
- MODULE REMOVAL TOOLS (REQUIRED TO REMOVE MODULES FROM RAIL - SUPPLIED SEPARATELY).
  - SIZES 16, 20 & 22 - AIR FORCE P/N 8027520-24-1; PCD P/N CNA051300.
  - SIZE 12 - AIR FORCE P/N 8027520-24-2; PCD P/N CNA052300.



APPLIES TO ALL PCD P/N SJT5XX20X

DIMENSIONS=INCHES TOLERANCES .XX± .XXX± ANGLES±	THIRD ANGLE PROJECTION 	SPECIFICATION AFLC 8027520-1	PRECISION CONNECTOR DESIGNS, INC. PEABODY, MA 01960		
		DRAWN M. CALLA 8/17/88 CHECKED	SOCKET JUNCTION TRACK (RAIL) -ALPHA-NUMERIC MARKING STYLE-		
THIS DOCUMENT CONTAINS PROPRIETARY INFORMATION WHICH IS THE CONFIDENTIAL PROPERTY OF PRECISION CONNECTOR DESIGNS, INC.		ENG. BY DIR.	SIZE C	CODE IDENT 58982	DRAWING NO. SJT502201
			SCALE 1.5 : 1	SHEET 1 OF 1	