



Chipsmall Limited consists of a professional team with an average of over 10 year of expertise in the distribution of electronic components. Based in Hongkong, we have already established firm and mutual-benefit business relationships with customers from,Europe,America and south Asia,supplying obsolete and hard-to-find components to meet their specific needs.

With the principle of “Quality Parts,Customers Priority,Honest Operation,and Considerate Service”,our business mainly focus on the distribution of electronic components. Line cards we deal with include Microchip,ALPS,ROHM,Xilinx,Pulse,ON,Everlight and Freescale. Main products comprise IC,Modules,Potentiometer,IC Socket,Relay,Connector.Our parts cover such applications as commercial,industrial, and automotives areas.

We are looking forward to setting up business relationship with you and hope to provide you with the best service and solution. Let us make a better world for our industry!



Contact us

Tel: +86-755-8981 8866 Fax: +86-755-8427 6832

Email & Skype: info@chipsmall.com Web: www.chipsmall.com

Address: A1208, Overseas Decoration Building, #122 Zhenhua RD., Futian, Shenzhen, China



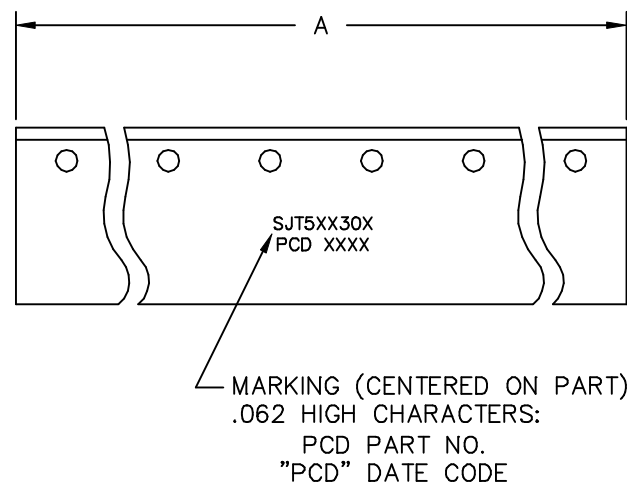
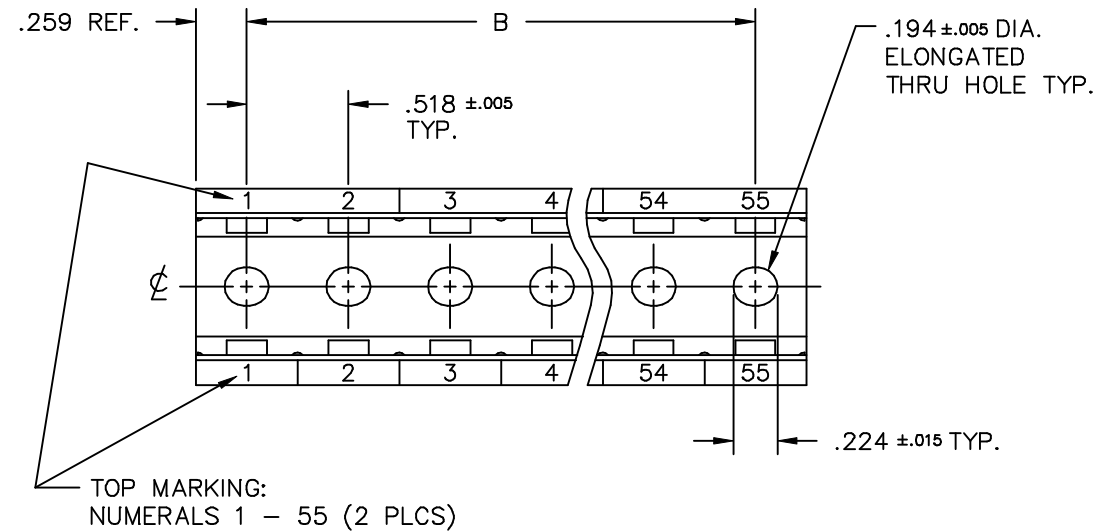
PCD PART NO.	QUANTITY OF MODULES PER RAIL (SIZES 16, 20 & 22)	A ±.015	B ±.015
SJT50230X	2	1.036	.518
SJT50330X	3	1.554	1.036
SJT50430X	4	2.072	1.554
SJT50530X	5	2.590	2.072
SJT50630X	6	3.108	2.590
SJT50730X	7	3.626	3.108
SJT50830X	8	4.144	3.626
SJT50930X	9	4.662	4.144
SJT51030X	10	5.180	4.662
SJT51130X	11	5.698	5.180
SJT51230X	12	6.216	5.698
SJT51330X	13	6.734	6.216
SJT51430X	14	7.252	6.734
SJT51530X	15	7.770	7.252
SJT51630X	16	8.288	7.770
SJT51730X	17	8.806	8.288
SJT51830X	18	9.324	8.806
SJT51930X	19	9.842	9.324
SJT52030X	20	10.360	9.842
SJT52130X	21	10.875	10.360
SJT52230X	22	11.396	10.875
SJT52330X	23	11.914	11.396
SJT52430X	24	12.432	11.914
SJT52530X	25	12.950	12.432
SJT52630X	26	13.468	12.950
SJT52730X	27	13.986	13.468
SJT52830X	28	14.504	13.986
SJT52930X	29	15.022	14.504
SJT53030X	30	15.540	15.022
SJT53130X	31	16.058	15.540
SJT53230X	32	16.576	16.058
SJT53330X	33	17.094	16.576
SJT53430X	34	17.612	17.094
SJT53530X	35	18.130	17.612
SJT53630X	36	18.648	18.130
SJT53730X	37	19.166	18.648
SJT53830X	38	19.684	19.166
SJT53930X	39	20.202	19.684
SJT54030X	40	20.720	20.202
SJT54130X	41	21.238	20.720
SJT54230X	42	21.756	21.238
SJT54330X	43	22.274	21.756
SJT54430X	44	22.792	22.274
SJT54530X	45	23.310	22.792
SJT54630X	46	23.828	23.310
SJT54730X	47	24.346	23.828
SJT54830X	48	24.864	24.346
SJT54930X	49	25.382	24.864
SJT55030X	50	25.900	25.382
SJT55130X	51	26.418	25.900
SJT55230X	52	26.936	26.418
SJT55330X	53	27.454	26.936
SJT55430X	54	27.972	27.454
SJT55530X	55	28.490	27.972

TABLE 1

AW-1003

NOTES:

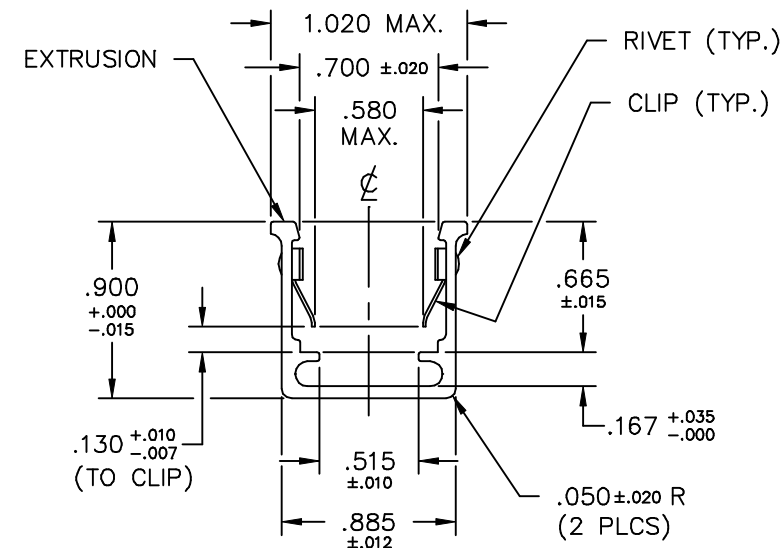
- PART SHALL MEET ALL REQUIREMENTS OF U.S. AIR FORCE DRAWING NO. 8027520-1 UNLESS OTHERWISE SPECIFIED.
- MATERIALS:
 - EXTRUSION - ALUMINUM ALLOY, FINISH PER TABLE 2.
 - CLIP - STAINLESS STEEL.
 - RIVET - STAINLESS STEEL.
- MARKINGS ARE FLUSH WITH SURFACES; COLOR PER TABLE 2.
- RAILS ACCEPT MODULES PER AFLC 8027520; PCD SJ SERIES.
- QUANTITY OF SIZE 12 MODULES PER RAIL IS HALF THE QUANTITY OF SIZE 16, 20 & 22 MODULES (SEE TABLE 1).
- MODULE REMOVAL TOOLS (REQUIRED TO REMOVE MODULES FROM RAIL - SUPPLIED SEPARATELY).
 - SIZES 16, 20 & 22 - AIR FORCE P/N 8027520-24-1; PCD P/N CNA051300.
 - SIZE 12 - AIR FORCE P/N 8027520-24-2; PCD P/N CNA052300.



REVISIONS				
REV	ECN	DESCRIPTION	DATE	APP
A	1357	REDRAWN		

PCD P/N LAST DIGIT	EXTRUSION FINISH	MARKING COLOR
1	NICKEL PLATE	BLUE
2	CLEAR CADMIUM	BLUE
3	OLIVE DRAB CADMIUM	BLACK
4	BLACK ANODIZE	WHITE

TABLE 2



APPLIES TO ALL PCD P/N SJT5XX30X

DIMENSIONS=INCHES TOLERANCES .XX± .XXX± ANGLES±	THIRD ANGLE PROJECTION 	SPECIFICATION AFLC 8027520-1	PRECISION CONNECTOR DESIGNS, INC. PEABODY, MA 01960		
		DRAWN M. CALLA 8/17/88 CHECKED	SOCKET JUNCTION TRACK (RAIL) -NUMERICAL MARKING STYLE-		
THIS DOCUMENT CONTAINS PROPRIETARY INFORMATION WHICH IS THE CONFIDENTIAL PROPERTY OF PRECISION CONNECTOR DESIGNS, INC.		ENG. BY DIR.	SIZE C	CODE IDENT 58982	DRAWING NO. SJT502301
			SCALE 1.5 : 1	SHEET 1 OF 1	