



Chipsmall Limited consists of a professional team with an average of over 10 year of expertise in the distribution of electronic components. Based in Hongkong, we have already established firm and mutual-benefit business relationships with customers from,Europe,America and south Asia,supplying obsolete and hard-to-find components to meet their specific needs.

With the principle of “Quality Parts,Customers Priority,Honest Operation,and Considerate Service”,our business mainly focus on the distribution of electronic components. Line cards we deal with include Microchip,ALPS,ROHM,Xilinx,Pulse,ON,Everlight and Freescale. Main products comprise IC,Modules,Potentiometer,IC Socket,Relay,Connector.Our parts cover such applications as commercial,industrial, and automotives areas.

We are looking forward to setting up business relationship with you and hope to provide you with the best service and solution. Let us make a better world for our industry!



Contact us

Tel: +86-755-8981 8866 Fax: +86-755-8427 6832

Email & Skype: info@chipsmall.com Web: www.chipsmall.com

Address: A1208, Overseas Decoration Building, #122 Zhenhua RD., Futian, Shenzhen, China



PCD PART NO.	AIR FORCE PART NO. *	QUANTITY OF MODULES PER RAIL (SIZES 16, 20 & 22)	A ±.015	B ±.015
SJT50210X	8027520-1-02	2	1.036	.518
SJT50310X	8027520-1-03	3	1.554	1.036
SJT50410X	8027520-1-04	4	2.072	1.554
SJT50510X	8027520-1-05	5	2.590	2.072
SJT50610X	8027520-1-06	6	3.108	2.590
SJT50710X	8027520-1-07	7	3.626	3.108
SJT50810X	8027520-1-08	8	4.144	3.626
SJT50910X	8027520-1-09	9	4.662	4.144
SJT51010X	8027520-1-10	10	5.180	4.662
SJT51110X		11	5.698	5.180
SJT51210X	8027520-1-12	12	6.216	5.698
SJT51310X	8027520-1-13	13	6.734	6.216
SJT51410X	8027520-1-14	14	7.252	6.734
SJT51510X		15	7.770	7.252
SJT51610X	8027520-1-16	16	8.288	7.770
SJT51710X		17	8.806	8.288
SJT51810X	8027520-1-18	18	9.324	8.806
SJT51910X	8027520-1-19	19	9.842	9.324
SJT52010X	8027520-1-20	20	10.360	9.842
SJT52110X	8027520-1-21	21	10.875	10.360

* - REQUIRES NICKEL FINISH

TABLE 1

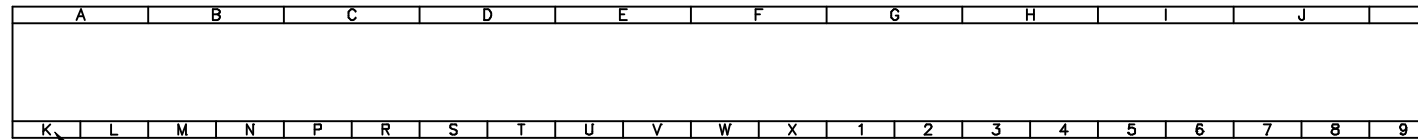
PCD P/N LAST DIGIT	EXTRUSION FINISH	MARKING COLOR
1	NICKEL PLATE	BLUE
2	CLEAR CADMIUM	BLUE
3	OLIVE DRAB CADMIUM	BLACK
4	BLACK ANODIZE	WHITE

TABLE 2

NOTES:

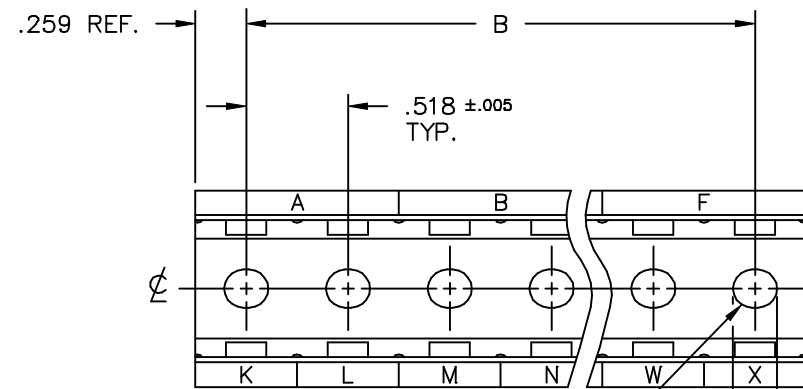
- PART SHALL MEET ALL REQUIREMENTS OF U.S. AIR FORCE DRAWING NO. 8027520-1 UNLESS OTHERWISE SPECIFIED.
- MATERIALS:
 - EXTRUSION - ALUMINUM ALLOY, FINISH PER TABLE 2.
 - CLIP - STAINLESS STEEL.
 - RIVET - STAINLESS STEEL.
- MARKINGS ARE FLUSH WITH SURFACES; COLOR PER TABLE 2.
- RAILS ACCEPT MODULES PER AFLC 8027520; PCD SJ SERIES.
- QUANTITY OF SIZE 12 MODULES PER RAIL IS HALF THE QUANTITY OF SIZE 16, 20 & 22 MODULES (SEE TABLE 1).
- MODULE REMOVAL TOOLS (REQUIRED TO REMOVE MODULES FROM RAIL - SUPPLIED SEPARATELY).
 - SIZES 16, 20 & 22 - AIR FORCE P/N 8027520-24-1; PCD P/N CNA051300.
 - SIZE 12 - AIR FORCE P/N 8027520-24-2; PCD P/N CNA052300.

REVISIONS				
REV	ECN	DESCRIPTION	DATE	APP
A	1357	REDRAWN		

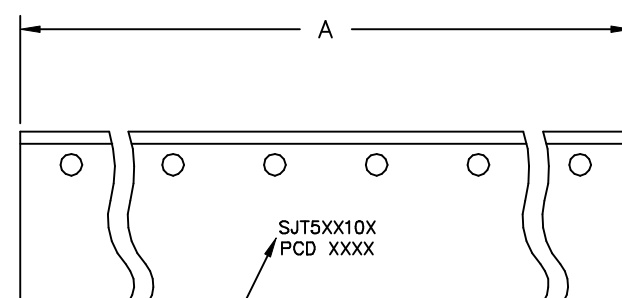


THIS ROW ALWAYS STARTS WITH "K", REGARDLESS OF LENGTH

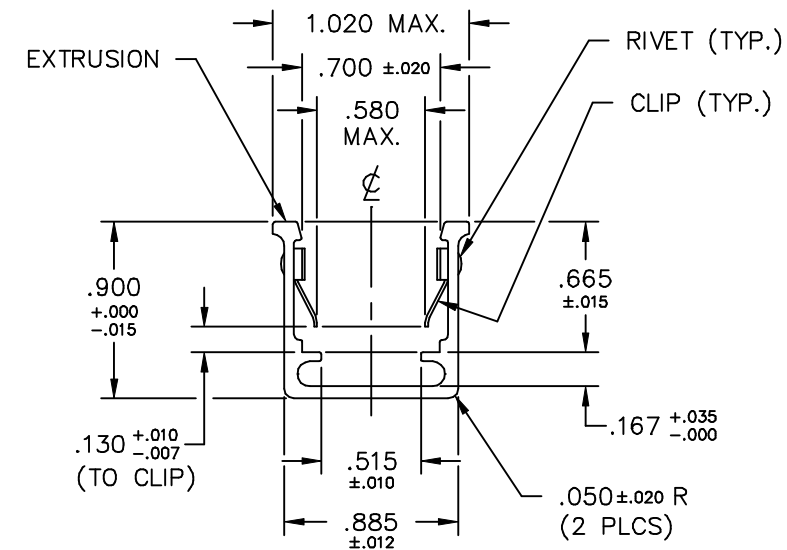
TOP MARKING
SCALE - 1:1



.194 ±.005 DIA. ELONGATED THRU HOLE TYP.



MARKING (CENTERED ON PART)
.062 HIGH CHARACTERS:
PCD PART NO.
"PCD" DATE CODE



APPLIES TO ALL PCD P/N SJT5XX10X

DIMENSIONS=INCHES TOLERANCES .XX± .XXX± ANGLES±	THIRD ANGLE PROJECTION 	SPECIFICATION AFLC 8027520-1	PRECISION CONNECTOR DESIGNS, INC. PEABODY, MA 01960		
		DRAWN M. CALLA 8/18/88 CHECKED	SOCKET JUNCTION TRACK (RAIL) -ALPHA MARKING STYLE-		
THIS DOCUMENT CONTAINS PROPRIETARY INFORMATION WHICH IS THE CONFIDENTIAL PROPERTY OF PRECISION CONNECTOR DESIGNS, INC.		ENG. BY DIR.	SIZE C	CODE IDENT 58982	DRAWING NO. SJT502101
			SCALE 1.5 : 1		SHEET 1 OF 1