



Chipsmall Limited consists of a professional team with an average of over 10 year of expertise in the distribution of electronic components. Based in Hongkong, we have already established firm and mutual-benefit business relationships with customers from,Europe,America and south Asia,supplying obsolete and hard-to-find components to meet their specific needs.

With the principle of “Quality Parts,Customers Priority,Honest Operation,and Considerate Service”,our business mainly focus on the distribution of electronic components. Line cards we deal with include Microchip,ALPS,ROHM,Xilinx,Pulse,ON,Everlight and Freescale. Main products comprise IC,Modules,Potentiometer,IC Socket,Relay,Connector.Our parts cover such applications as commercial,industrial, and automotives areas.

We are looking forward to setting up business relationship with you and hope to provide you with the best service and solution. Let us make a better world for our industry!



Contact us

Tel: +86-755-8981 8866 Fax: +86-755-8427 6832

Email & Skype: info@chipsmall.com Web: www.chipsmall.com

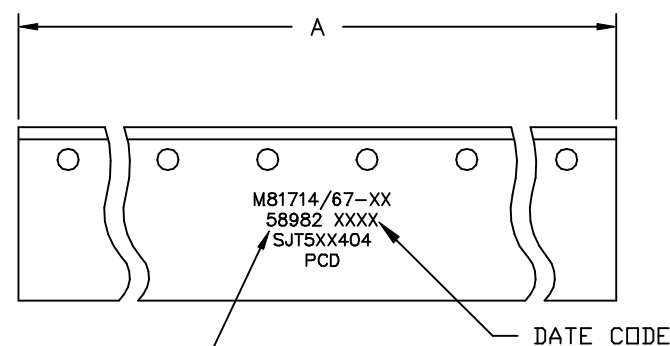
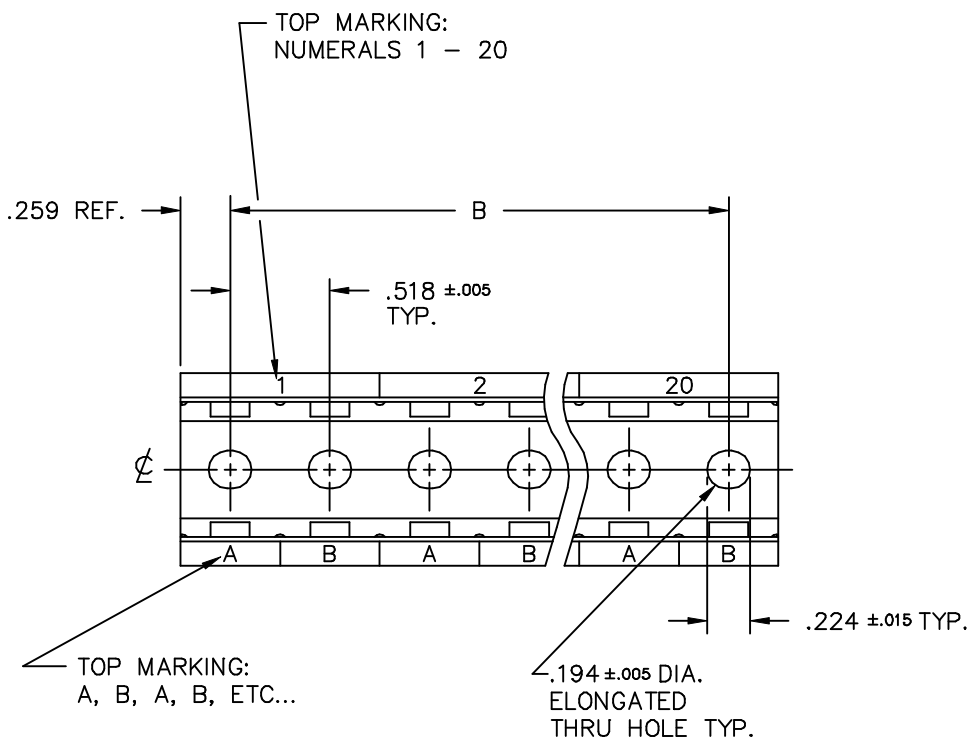
Address: A1208, Overseas Decoration Building, #122 Zhenhua RD., Futian, Shenzhen, China



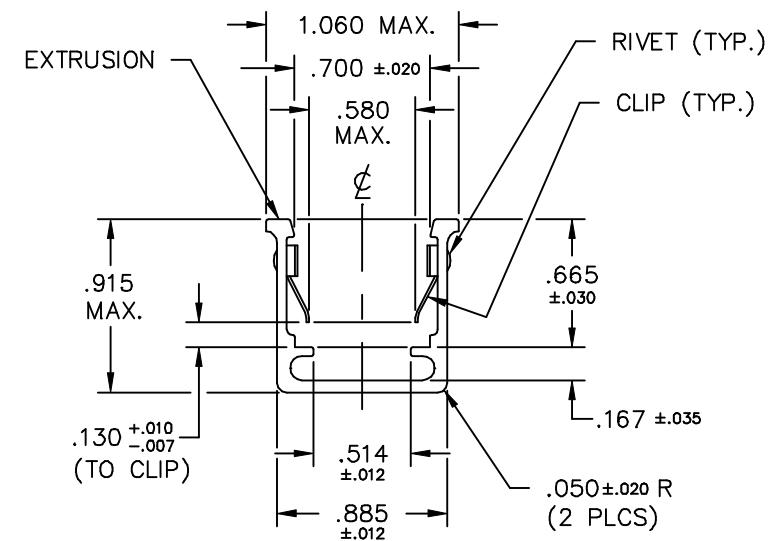
SJT502404

PCD PART NO.	MILITARY PART NO.	QUANTITY OF MODULES PER RAIL (SIZES 16, 20 & 22)	A ±.015	B ±.015
SJT502404	M81714/67-02	2	1.036	.518
SJT503404	M81714/67-03	3	1.554	1.036
SJT504404	M81714/67-04	4	2.072	1.554
SJT505404	M81714/67-05	5	2.590	2.072
SJT506404	M81714/67-06	6	3.108	2.590
SJT507404	M81714/67-07	7	3.626	3.108
SJT508404	M81714/67-08	8	4.144	3.626
SJT509404	M81714/67-09	9	4.662	4.144
SJT510404	M81714/67-10	10	5.180	4.662
SJT512404	M81714/67-12	12	6.216	5.698
SJT513404	M81714/67-13	13	6.734	6.216
SJT514404	M81714/67-14	14	7.252	6.734
SJT515404	M81714/67-15	15	7.770	7.252
SJT516404	M81714/67-16	16	8.288	7.770
SJT518404	M81714/67-18	18	9.324	8.806
SJT519404	M81714/67-19	19	9.842	9.324
SJT520404	M81714/67-20	20	10.360	9.842
SJT521404	M81714/67-21	21	10.875	10.360
SJT525404	M81714/67-25	25	12.950	12.432
SJT530404	M81714/67-30	30	15.540	15.022
SJT532404	M81714/67-32	32	16.576	16.058
SJT540404	M81714/67-40	40	20.720	20.202

REV	ECN	DESCRIPTION	APP'D
-	1357	RELEASE	
A	2493	CHANGE MARKING; REFORMAT	



MARKING (CENTERED ON PART)
.062 HIGH CHARACTERS:



NOTES:

- PART SHALL MEET ALL REQUIREMENTS OF MIL-T-81714/67.
- MATERIALS:
 - EXTRUSION - ALUMINUM ALLOY 6061-T4, BLACK ANODIZED IN ACCORDANCE WITH MIL-A-8625.
 - CLIP - CORROSION RESISTANT STEEL IN ACCORDANCE WITH MIL-S-25043.
 - RIVET - CORROSION RESISTANT STEEL IN ACCORDANCE WITH QQ-S-766.
- MARKINGS ARE FLUSH WITH SURFACES; COLOR - WHITE.
- RACKS ACCEPT BLOCKS (MODULES) PER MIL-T-81714 SERIES II; PCD SJ SERIES.
- QUANTITY OF SIZE 12 BLOCKS PER RACK IS HALF THE QUANTITY OF SIZE 16, 20 & 22 BLOCKS (SEE TABLE).
- BLOCK REMOVAL TOOLS (REQUIRED TO REMOVE BLOCKS FROM RACK - SUPPLIED SEPARATELY).
 - SIZES 16, 20 & 22 - MILITARY P/N M81714/69-01; PCD P/N CNA051300.
 - SIZE 12 - MILITARY P/N M81714/69-02; PCD P/N CNA052300.

APPLIES TO ALL PCD P/N SJT5XX404

DIMENSIONS ANSI Y14.5M UNITS: INCHES CRITICAL: ◆	TOLERANCES .XX ±.01 .XXX ±.005 ANGLES ±2°	PROJECTION 	REFERENCE SPECIFICATION MIL-T-81714/67		TITLE SOCKET JUNCTION TRACK -MILITARY STYLE-	
ORIGINAL NOT FOR CUSTOMER DISTRIBUTION	THIS DOCUMENT CONTAINS PROPRIETARY INFORMATION WHICH IS THE CONFIDENTIAL PROPERTY OF PCD, INC. PEABODY, MA, USA		DRWN M. CALLA 8-18-88		SIZE B	DWG NO. SJT502404
			ENGR J. RUTKOWSKI	CODE: 58982	SCALE: 1X	SHEET 1 OF 1
			APPD			