



Chipsmall Limited consists of a professional team with an average of over 10 year of expertise in the distribution of electronic components. Based in Hongkong, we have already established firm and mutual-benefit business relationships with customers from,Europe,America and south Asia,supplying obsolete and hard-to-find components to meet their specific needs.

With the principle of “Quality Parts,Customers Priority,Honest Operation,and Considerate Service”,our business mainly focus on the distribution of electronic components. Line cards we deal with include Microchip,ALPS,ROHM,Xilinx,Pulse,ON,Everlight and Freescale. Main products comprise IC,Modules,Potentiometer,IC Socket,Relay,Connector.Our parts cover such applications as commercial,industrial, and automotives areas.

We are looking forward to setting up business relationship with you and hope to provide you with the best service and solution. Let us make a better world for our industry!



Contact us

Tel: +86-755-8981 8866 Fax: +86-755-8427 6832

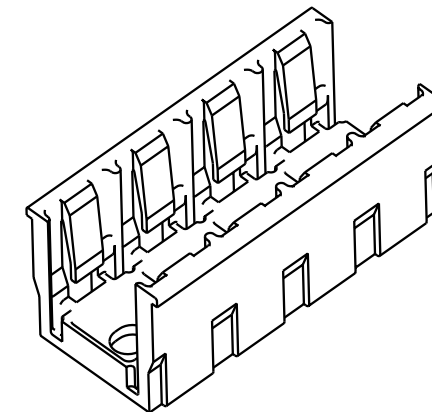
Email & Skype: info@chipsmall.com Web: www.chipsmall.com

Address: A1208, Overseas Decoration Building, #122 Zhenhua RD., Futian, Shenzhen, China

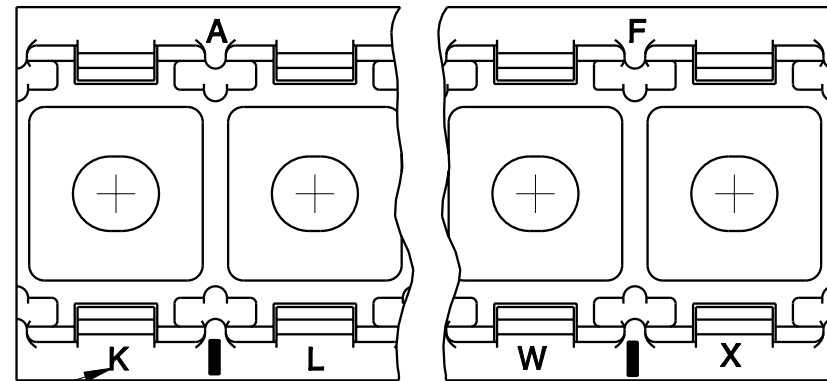


SJTC02000

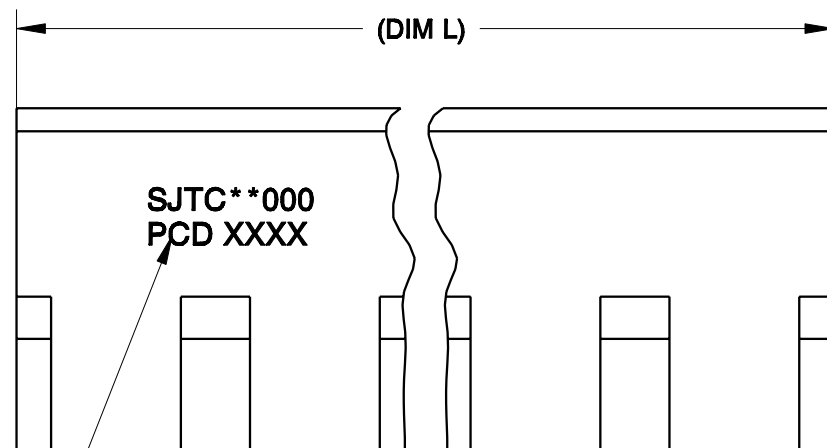
REV	ECN	DESCRIPTION	APP'D
-	4371	RELEASE	JT 4-3-01
A	4469	ADDED 13 THRU 20 POS.	



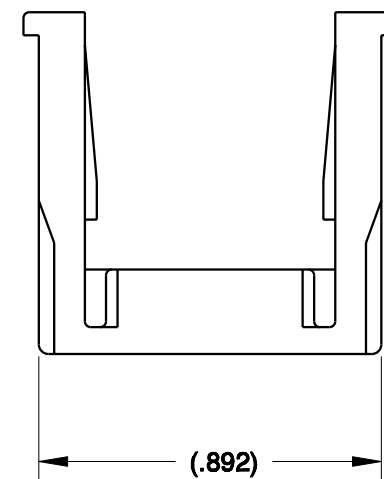
4 POSITION SHOWN



THIS ROW ALWAYS STARTS WITH "K" AW-1001



MARKING (CENTERED ON PART)
.060 HIGH CHARACTERS
PCD PART NO.
"PCD" DATE CODE
(** POS-PER TABLE)



PART NO.	COMPONENT P/N	POS **	DIM L.
SJTC02000	330600002	02	1.036
SJTC03000	330600003	03	1.554
SJTC04000	330600004	04	2.072
SJTC05000	330600005	05	2.590
SJTC06000	330600006	06	3.108
SJTC07000	330600007	07	3.626
SJTC08000	330600008	08	4.144
SJTC09000	330600009	09	4.662
SJTC10000	330600010	10	5.180
SJTC11000	330600011	11	5.698
SJTC12000	330600012	12	6.216
SJTC13000	330600013	13	6.734
SJTC14000	330600014	14	7.252
SJTC15000	330600015	15	7.770
SJTC16000	330600016	16	8.288
SJTC17000	330600017	17	8.806
SJTC18000	330600018	18	9.324
SJTC19000	330600019	19	9.842
SJTC20000	330600020	20	10.360

DIMENSIONS ANSI Y14.5M UNITS: INCHES Pro/E FILE	TOLERANCES .XX ±0.01 .XXX ±0.005 ANGLES ±10°	PROJECTION 	REFERENCE SPECIFICATION ENGR A. PATRIE 13-Nov-00			TITLE MOUNTING TRACK, SJM COMPOSITE ALPHA MARKING	
			ORIGINAL NOT FOR CUSTOMER DISTRIBUTION	THIS DOCUMENT CONTAINS PROPRIETARY INFORMATION WHICH IS THE CONFIDENTIAL PROPERTY OF PCD, INC. PEABODY, MA, USA		CHKD J. TON 4-3-01	APPD J. TON 4-3-01
			CODE: 58982	SCALE: 2:1	SHEET 1 OF 1		