



Chipsmall Limited consists of a professional team with an average of over 10 year of expertise in the distribution of electronic components. Based in Hongkong, we have already established firm and mutual-benefit business relationships with customers from,Europe,America and south Asia,supplying obsolete and hard-to-find components to meet their specific needs.

With the principle of “Quality Parts,Customers Priority,Honest Operation,and Considerate Service”,our business mainly focus on the distribution of electronic components. Line cards we deal with include Microchip,ALPS,ROHM,Xilinx,Pulse,ON,Everlight and Freescale. Main products comprise IC,Modules,Potentiometer,IC Socket,Relay,Connector.Our parts cover such applications as commercial,industrial, and automotives areas.

We are looking forward to setting up business relationship with you and hope to provide you with the best service and solution. Let us make a better world for our industry!



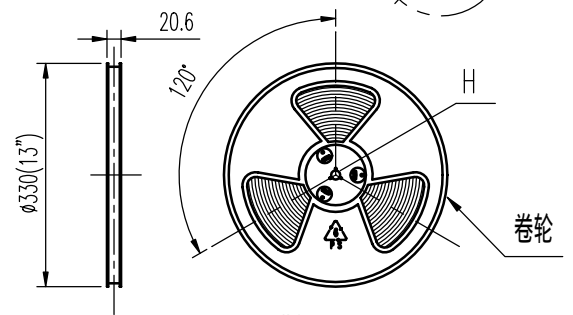
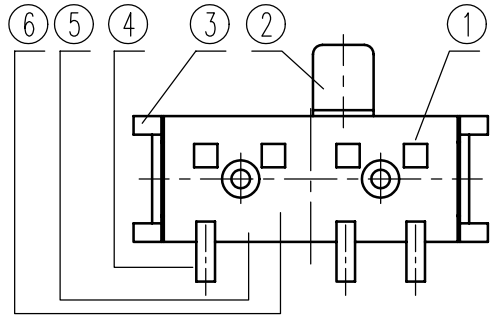
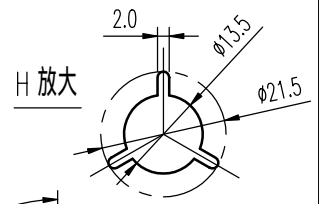
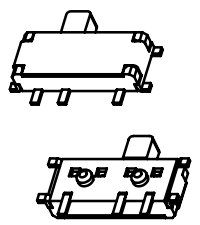
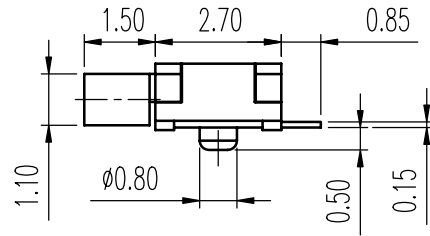
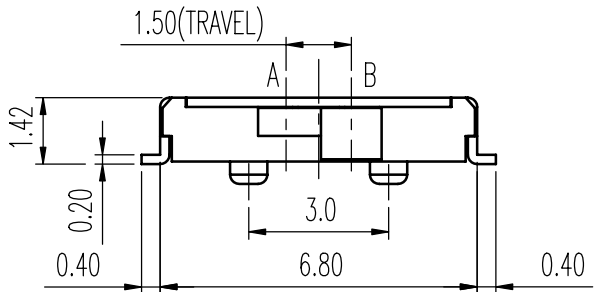
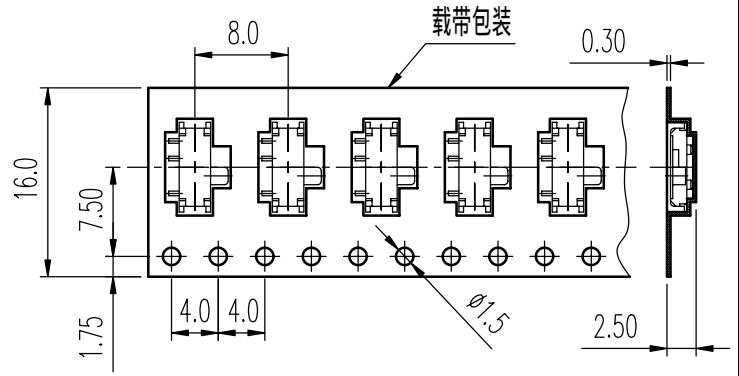
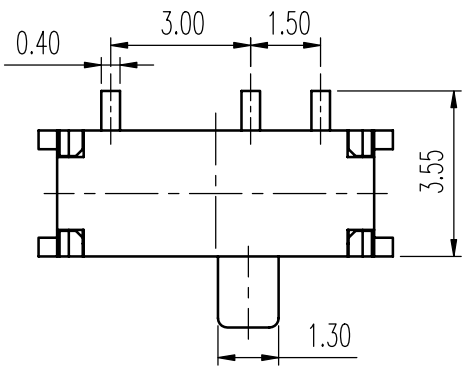
Contact us

Tel: +86-755-8981 8866 Fax: +86-755-8427 6832

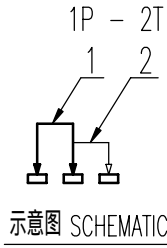
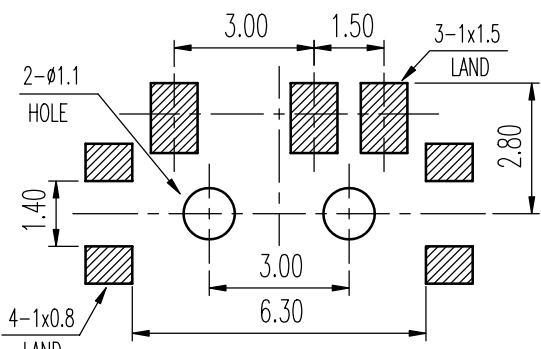
Email & Skype: info@chipsmall.com Web: www.chipsmall.com

Address: A1208, Overseas Decoration Building, #122 Zhenhua RD., Futian, Shenzhen, China





卷轮载带包装: 总共 3000PCS/轮



规格 Specifications

额定负荷 Ratings	DC 4 V 0.3 A
初期接触电阻 Initial Contact Resistance	70 mΩ Max.
绝缘阻抗 Insulation Resistance	DC 500V 60±5 Sec. 100 MΩ Min.
抗电强度 Dielectric Voltage	AC 100 V(50~60HZ) 60 Sec.
操作力 Operating Force (gf)	A → B B → A 150 ± 100
负荷寿命 Operating Life With Load	10,000 次cycles

6	弹片 SPRING PLATE	SUS	1	NATURAL
5	接触片 CONTACT	C5210R	1	Ag CLAD
4	端子 TERMINAL	C2680R	3	Ag PLATED
3	盖片 COVER	SPTe ①	1	Ag PLATED
2	胶柄 KNOB	LCP	1	BLACK C
1	胶壳 HOUSING	LCP	1	BLACK C
序NO.	零件 PART	材料 MATERIAL	数量 QTY	备注 REMARKS

A03	修改内容详见图中标示 ① 所示	王小东	2007-9-27
A02	修改内容详见图中标示 ② 所示	王小东	07-08-08
A01		王小东	07-05-10
标号 REV	内容 DESCRIPTION	签名 SIGN.	日期 DATE

TOLERANCES UNLESS OTHERWISE SPEC.		TITLE	SIDE KNOB SLIDE SWITCH		ITEM NO	SK-12C0405-SG 1.5 RT		
UNDER 1	± 0.10	DRAWN	王小东	2007-9-27	VERSION	A03	PAGE 1	OF 1
1 - 10	± 0.30	REVIEWED	张念明	2007-9-27	SCALE		UNIT	mm
OVER 10	± 0.50	APPROVED	程先金	2007-9-27	PROJECTION			

COMAX ELECTRONICS(HUIZHOU) CO.,LTD