



Chipsmall Limited consists of a professional team with an average of over 10 year of expertise in the distribution of electronic components. Based in Hongkong, we have already established firm and mutual-benefit business relationships with customers from,Europe,America and south Asia,supplying obsolete and hard-to-find components to meet their specific needs.

With the principle of “Quality Parts,Customers Priority,Honest Operation,and Considerate Service”,our business mainly focus on the distribution of electronic components. Line cards we deal with include Microchip,ALPS,ROHM,Xilinx,Pulse,ON,Everlight and Freescale. Main products comprise IC,Modules,Potentiometer,IC Socket,Relay,Connector.Our parts cover such applications as commercial,industrial, and automotives areas.

We are looking forward to setting up business relationship with you and hope to provide you with the best service and solution. Let us make a better world for our industry!



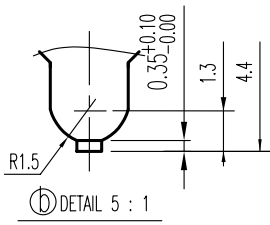
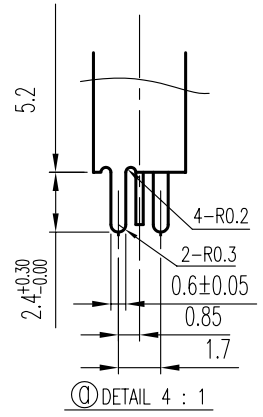
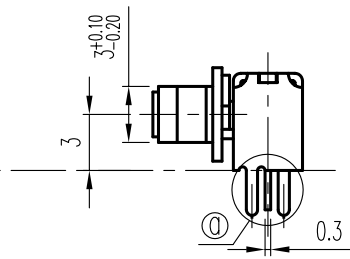
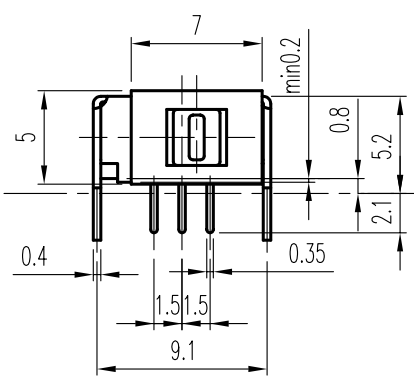
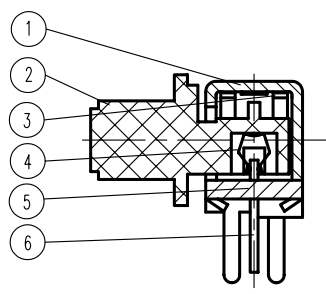
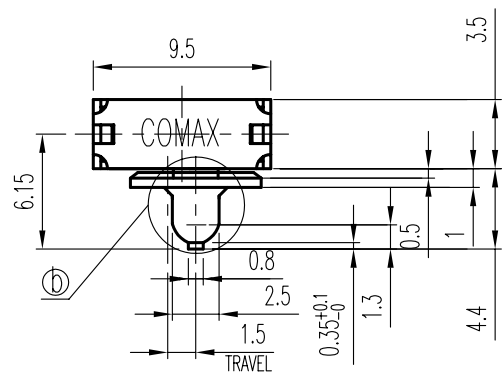
Contact us

Tel: +86-755-8981 8866 Fax: +86-755-8427 6832

Email & Skype: info@chipsmall.com Web: www.chipsmall.com

Address: A1208, Overseas Decoration Building, #122 Zhenhua RD., Futian, Shenzhen, China





规格 Specifications

额定负荷 Ratings	DC 30 V 0.2 A
接触电阻 Contact Resistance	20 mΩ or less
绝缘电阻 Insulation Resistance	DC 500 V 60 Sec后. 100MΩ or more
抗电强度 Dielectric Voltage	AC 500 V(50~60HZ) 60 Sec.

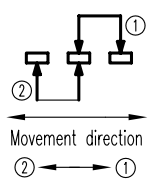
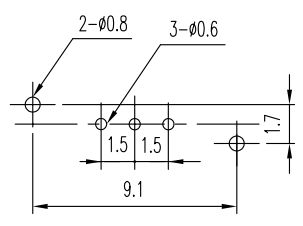


示意图 SCHEMATIC



安装孔 PIERCING PLAN

操作力 Operating Force	① ←→ ② 1.5±1N(150±100gf)
机械寿命 Operating Life Without Load	10000 次 10000 Cycles

6	端子	TERMINAL	C2680R	3	NATURAL	Ag PLATED				
5	基板	TERMINAL BASE	PHENOL RESIN	1	YELLOW	UL 94HB				
4	接触片	CONTACT	C5210R	1	NATURAL	Ag CLAD				
3	弹片	SPRING PLATE	S U S	1	NATURAL	—				
2	胶柄	KNOB	PBT	1	BLACK	UL 94V-0				
1	铁壳	FRAME	S P C C	1	SILVERY WHITE	Sn PLATED				
序NO.	零件	PART	材质	MATERIAL	数量	QTY	颜色	COLOR	备注	REMARKS

标号 REV	DESCRIPTION	签名 SIGN.	日期 DATE
DWG NO. ITEM2686			

TOLERANCES UNLESS OTHERWISE SPEC.		TITLE	SIDE KNOB SLIDE SWITCH		ITEM NO	SK-12C06-MG 4.4 NS	
L ≤ 4	± 0.20	DRAWN	张学春	06-06-14	VERSION	A01	PAGE 1 OF 1
4 < L ≤ 16	± 0.30	REVIEWED	张念明	06-06-14	SCALE		UNIT mm
16 < L ≤ 63	± 0.40	APPROVED	高洪	06-06-14	PROJECTION		
63 < L ≤ 250	± 0.50						
250 < L	± 0.70						

COMAX ELECTRONICS (HUIZHOU) CO.,LTD.