



Chipsmall Limited consists of a professional team with an average of over 10 year of expertise in the distribution of electronic components. Based in Hongkong, we have already established firm and mutual-benefit business relationships with customers from,Europe,America and south Asia,supplying obsolete and hard-to-find components to meet their specific needs.

With the principle of “Quality Parts,Customers Priority,Honest Operation,and Considerate Service”,our business mainly focus on the distribution of electronic components. Line cards we deal with include Microchip,ALPS,ROHM,Xilinx,Pulse,ON,Everlight and Freescale. Main products comprise IC,Modules,Potentiometer,IC Socket,Relay,Connector.Our parts cover such applications as commercial,industrial, and automotives areas.

We are looking forward to setting up business relationship with you and hope to provide you with the best service and solution. Let us make a better world for our industry!



Contact us

Tel: +86-755-8981 8866 Fax: +86-755-8427 6832

Email & Skype: info@chipsmall.com Web: www.chipsmall.com

Address: A1208, Overseas Decoration Building, #122 Zhenhua RD., Futian, Shenzhen, China



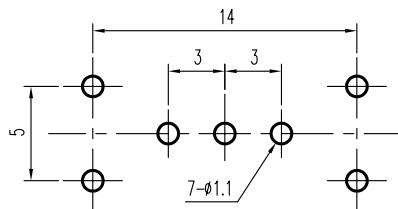
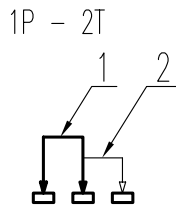
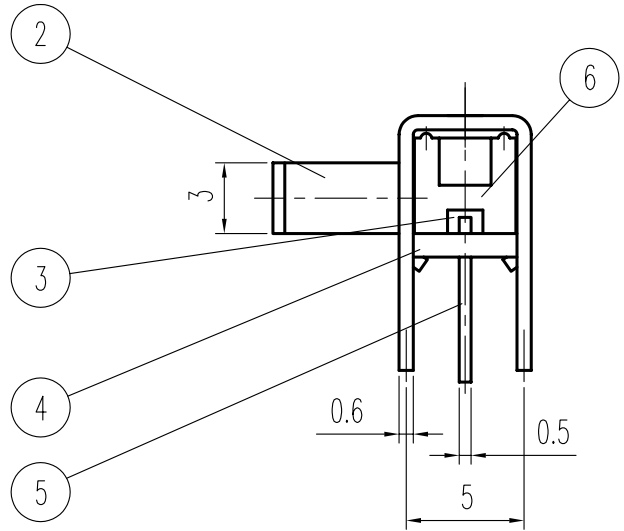
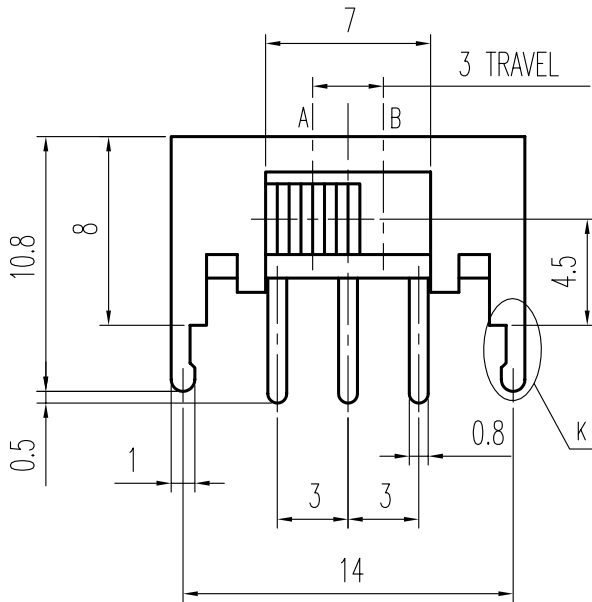
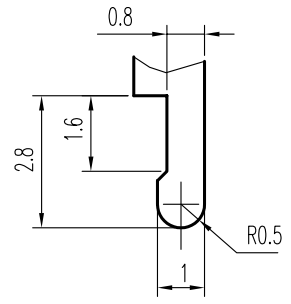
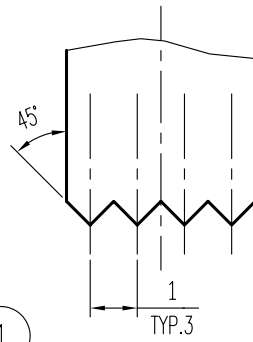
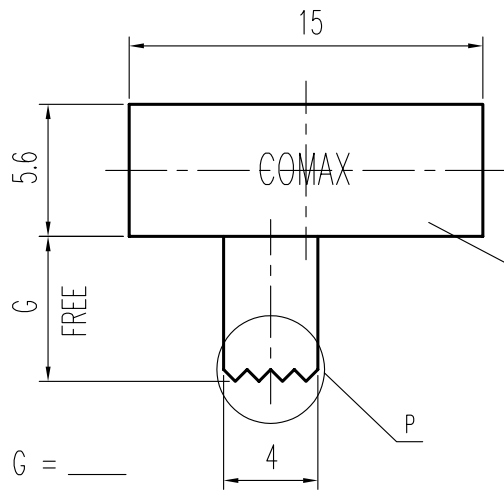


示意图 SCHEMATIC

安装孔 PIERCING PLAN

规格 Specifications

额定负荷 Ratings	DC 30 V 0.3 A
初期接触电阻 Initial Contact Resistance	30 mΩ Max.
绝缘电阻 Insulation Resistance	DC500 V _{60 Sec} 100 MΩ Min.
抗电强度 Dielectric Voltage	AC 500 V(50~60HZ) 60 Sec.
操作力 Operating Force(gf)	A → B 250 ± 100 B → A 250 ± 100
负荷寿命 Operating Life With Load	10,000 Cycles

序号 NO.	零件 PART	材料 MATERIAL	数量 QTY	备注 REMARKS
6	弹簧 SPRING	STEEL	1	NATURAL
5	端子 TERMINAL	C2680R	3	Ag PLATED
4	基板 TERMINAL BASE	PHENOL RESIN	1	YELLOW
3	接触片 CONTACT	COPPER WIRE	1	Ag PLATED
2	胶柄 KNOB	P B T	1	G 2 - 9
1	铁壳 FRAME	S P C C	1	Sn PLATED

标号 REV	内容 DESCRIPTION	签名 SIGN.	日期 DATE
A02	接触阻抗更改为初期接触电阻 机械寿命更改为负荷寿命	刘红梅	06-07-07
A01	修改见 ①	张渠江	2005/4/29

TOLERANCES UNLESS OTHERWISE SPEC.		TITLE		SIDE KNOB SLIDE SWITCH		ITEM NO		SK-12F17-G	
UNDER 1	± 0.10	DRAWN	刘红梅	06-07-07	VERSION	A02	PAGE	1	OF 1
1 - 10	± 0.30	REVIEWED	张念明	06-07-07	SCALE		UNIT	mm	
OVER 10	± 0.50	APPROVED	林高全	06-07-10	PROJECTION				

COMAX ELECTRONICS (HUIZHOU) CO.,LTD.