



Chipsmall Limited consists of a professional team with an average of over 10 year of expertise in the distribution of electronic components. Based in Hongkong, we have already established firm and mutual-benefit business relationships with customers from,Europe,America and south Asia,supplying obsolete and hard-to-find components to meet their specific needs.

With the principle of “Quality Parts,Customers Priority,Honest Operation,and Considerate Service”,our business mainly focus on the distribution of electronic components. Line cards we deal with include Microchip,ALPS,ROHM,Xilinx,Pulse,ON,Everlight and Freescale. Main products comprise IC,Modules,Potentiometer,IC Socket,Relay,Connector.Our parts cover such applications as commercial,industrial, and automotives areas.

We are looking forward to setting up business relationship with you and hope to provide you with the best service and solution. Let us make a better world for our industry!



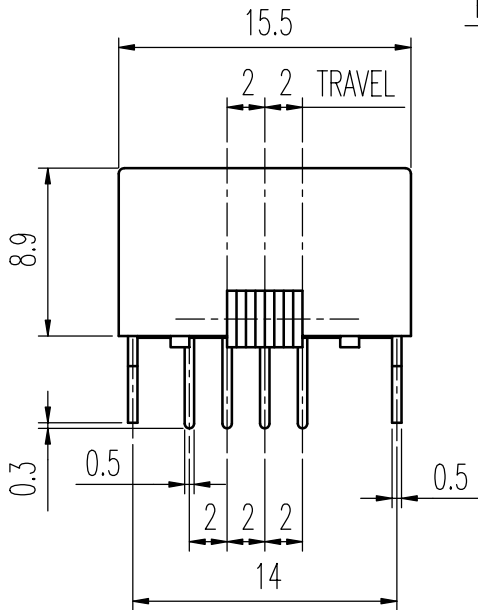
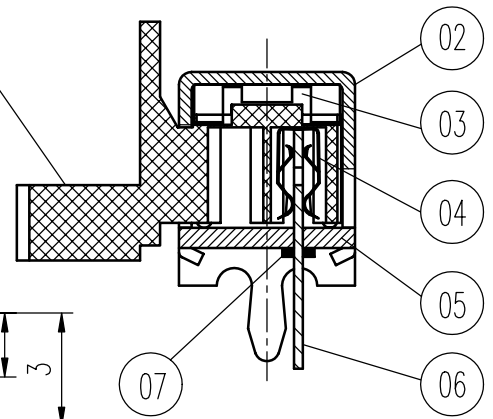
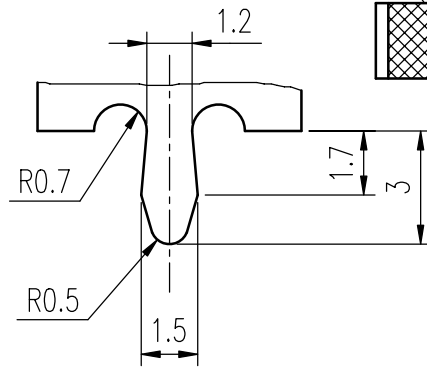
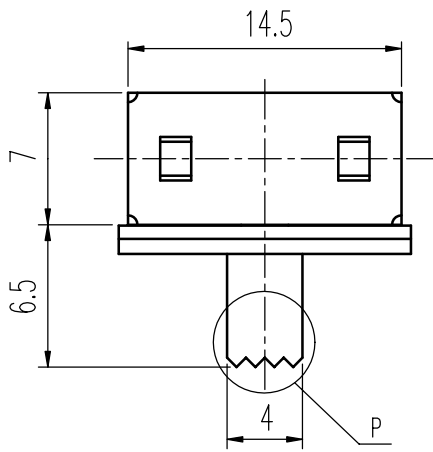
Contact us

Tel: +86-755-8981 8866 Fax: +86-755-8427 6832

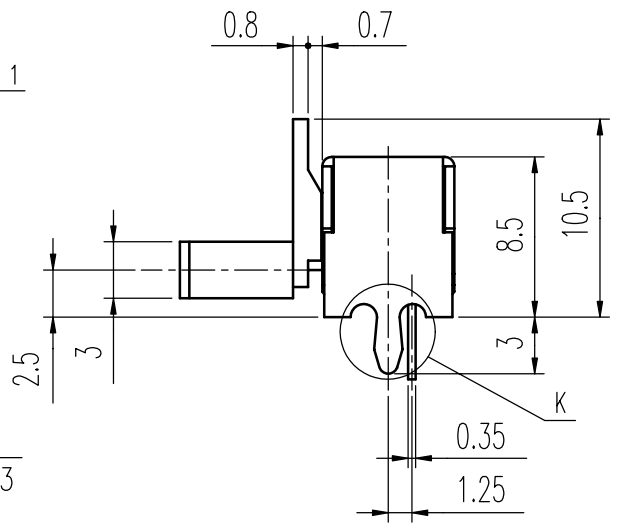
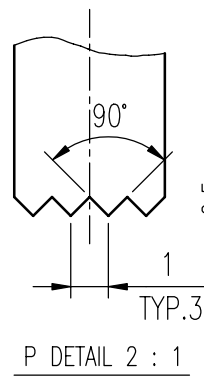
Email & Skype: info@chipsmall.com Web: www.chipsmall.com

Address: A1208, Overseas Decoration Building, #122 Zhenhua RD., Futian, Shenzhen, China





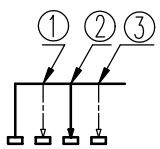
K DETAIL 2 : 1



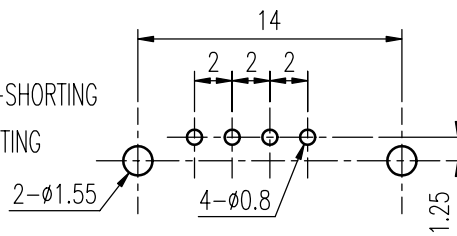
P DETAIL 2 : 1

1P - 3T

TIMING :



① → ② NON-SHORTING
② → ③ SHORTING



规格 Specifications

额定负荷 Ratings	DC 30 v 0.3 A
初期接触电阻 Initial Contact Resistance	20 mΩ Max.
绝缘电阻 Insulation Resistance	DC 500V 60 Sec. 500MΩ Min.
抗电强度 Dielectric Voltage	AC 500 V(50~60HZ) 60 Sec.
操作力 Operating Force (gf)	200±100, 250±100
机械寿命 Operating Life Without Load	10,000 次 Cycles

示意图 SCHEMATIC

安装孔 PIERCING PLAN

07	红胶 RED MUCUS	EPOXY RESIN	—	RED	—				
06	端子 TERMINAL	C2680R	4	WHITE	Ag PLATED				
05	基板 TERMINAL BASE	PHENOL RESIN	1	YELLOW	—				
04	接触片 CONTACT	C5210R	1	YELLOW/WHITE	Ag CLAD				
03	弹片 SPRING PLATE	SUS	1	WHITE	—				
02	铁壳 FRAME	SPCC	1	SILVERY WHITE	Sn PLATED				
01	胶柄 KNOB	POM F30-03	1	LIGHT GRAY	—	标号 REV	内容 DESCRIPTION	签名 SIGN.	日期 DATE
序NO.	零件 PART	材料 MATERIAL	数量 QTY	颜色 REMARKS	备注 REMARKS	DWG NO. ITEM2560-01			

TOLERANCES UNLESS OTHERWISE SPEC.		TITLE	SIDE KNOB SLIDE SWITCH		ITEM NO	SK-13D26-G 6.5 K GY			
UNDER 1	± 0.10	DRAWN	张渠江	2008-10-09	VERSION	A01	PAGE	1	OF 1
1 - 10	± 0.30	REVIEWED	王光云	2008-10-09	SCALE		UNIT	mm	
OVER 10	± 0.50	APPROVED	程先金	2008-10-09	PROJECTION				

COMAX

高铭电子(惠州)有限公司
Comax Electronics(Huizhou)Co.,Ltd.