



Chipsmall Limited consists of a professional team with an average of over 10 year of expertise in the distribution of electronic components. Based in Hongkong, we have already established firm and mutual-benefit business relationships with customers from,Europe,America and south Asia,supplying obsolete and hard-to-find components to meet their specific needs.

With the principle of “Quality Parts,Customers Priority,Honest Operation,and Considerate Service”,our business mainly focus on the distribution of electronic components. Line cards we deal with include Microchip,ALPS,ROHM,Xilinx,Pulse,ON,Everlight and Freescale. Main products comprise IC,Modules,Potentiometer,IC Socket,Relay,Connector.Our parts cover such applications as commercial,industrial, and automotives areas.

We are looking forward to setting up business relationship with you and hope to provide you with the best service and solution. Let us make a better world for our industry!



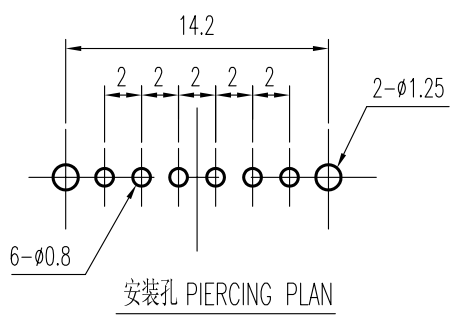
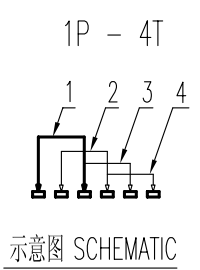
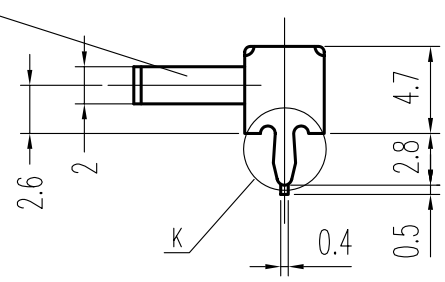
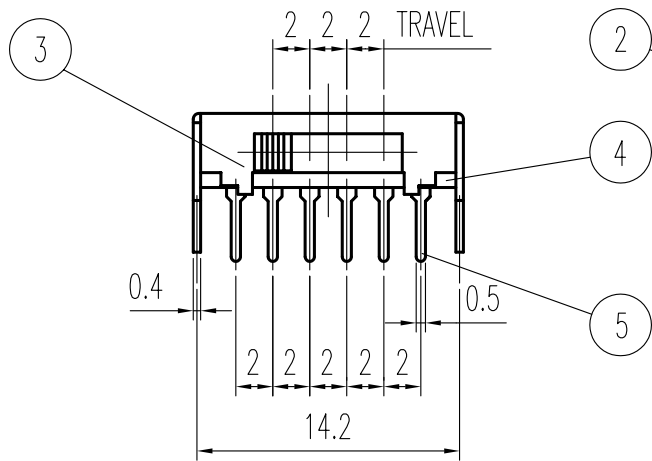
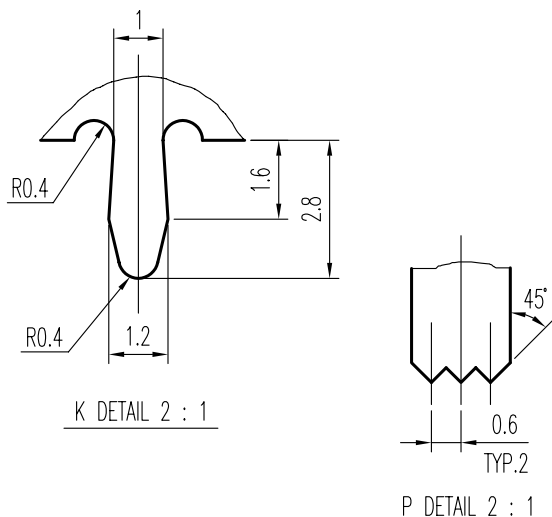
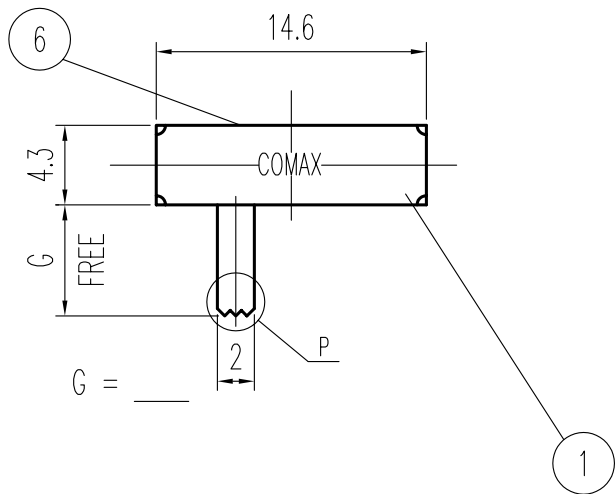
## Contact us

Tel: +86-755-8981 8866 Fax: +86-755-8427 6832

Email & Skype: info@chipsmall.com Web: www.chipsmall.com

Address: A1208, Overseas Decoration Building, #122 Zhenhua RD., Futian, Shenzhen, China





规格 Specifications

额定负荷 Ratings	DC 30 V 0.3 A
① 初期接触电阻 Initial Contact Resistance	30 mΩ Max.
绝缘电阻 Insulation Resistance	DC 500 V 60 Sec. 100 MΩ Min.
抗电强度 Dielectric	AC 500 V (50~60HZ) 60 Sec.
操作力 Operating Force (gf)	A → B: 250 ± 100, B → C: 200 ± 100, C → D: 250 ± 100
① 负荷寿命 Operating Life With Load	10,000 次 Cycles

6	弹片	SPRING PLATE	C5210R	1	NATURAL
5	端子	TERMINAL	C2680R	6	Ag PLATED
4	基板	TERMINAL BASE	PHENOL RESIN	1	YELLOW
3	接触片	CONTACT	C5210R	1	Ag CLAD
2	胶柄	KNOB	P O M	1	G 2 - 9
1	铁壳	FRAME	S P C C	1	Sn PLATED
序NO.	零件 PART	材料 MATERIAL	数量 QTY	备注 REMARKS	

A01	机械寿命 —— 负荷寿命 见① 接触阻抗 —— 初期接触电阻 见①	王光云	06-04-23
02		何景洪	22-12-04
标号 REV	内容 DESCRIPTION	签名 SIGN.	日期 DATE
DWG NO. ITEM1831			

TOLERANCES UNLESS OTHERWISE SPEC.		TITLE	SIDE KNOB SLIDE SWITCH		ITEM NO	SK-14D01-G		
UNDER 1	± 0.10	DRAWN	王光云	06-04-23	VERSION	A01	PAGE	1 OF 1
1 - 10	± 0.30	REVIEWED	张念明	06-04-24	SCALE		UNIT	mm
OVER 10	± 0.50	APPROVED	林高全	06-04-24	PROJECTION			

**COMAX** ELECTRONICS (HUIZHOU) CO.,LTD.