



Chipsmall Limited consists of a professional team with an average of over 10 year of expertise in the distribution of electronic components. Based in Hongkong, we have already established firm and mutual-benefit business relationships with customers from,Europe,America and south Asia,supplying obsolete and hard-to-find components to meet their specific needs.

With the principle of “Quality Parts,Customers Priority,Honest Operation,and Considerate Service”,our business mainly focus on the distribution of electronic components. Line cards we deal with include Microchip,ALPS,ROHM,Xilinx,Pulse,ON,Everlight and Freescale. Main products comprise IC,Modules,Potentiometer,IC Socket,Relay,Connector.Our parts cover such applications as commercial,industrial, and automotives areas.

We are looking forward to setting up business relationship with you and hope to provide you with the best service and solution. Let us make a better world for our industry!



Contact us

Tel: +86-755-8981 8866 Fax: +86-755-8427 6832

Email & Skype: info@chipsmall.com Web: www.chipsmall.com

Address: A1208, Overseas Decoration Building, #122 Zhenhua RD., Futian, Shenzhen, China



附表

COMAX ITEM NO.	SONY PART NO.	KNOB COLOR	PAGE
SK-23H11-G 9 S	1-762-356-__	BLACK	2 of 6

1. Scope 适用范围

This specification applies to the signal selector switch(slide type)used in electronic equipment
本规格适用于一般电子设备的信号选择开关(滑动类)

2. Construction 构造

2.1 Circuit arrangement 回路构成

Line(s) 2 列 Pole(s) 2 回路 Position(s) 3 接点 stroke 4 行程

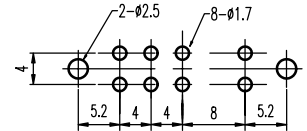
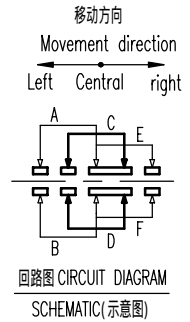
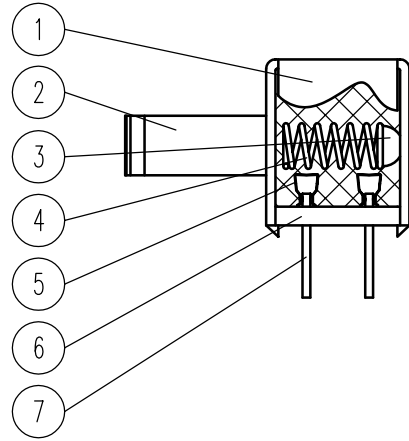
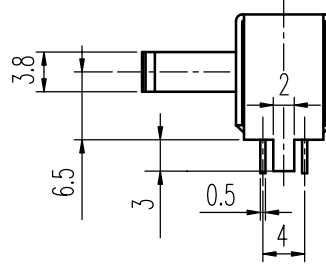
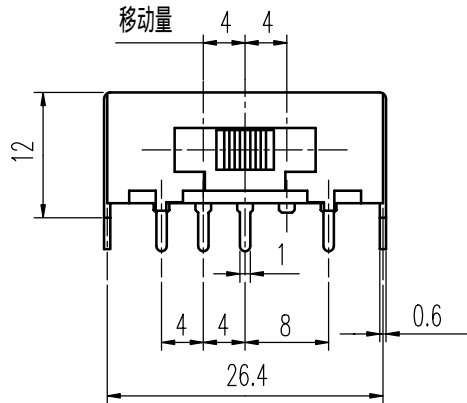
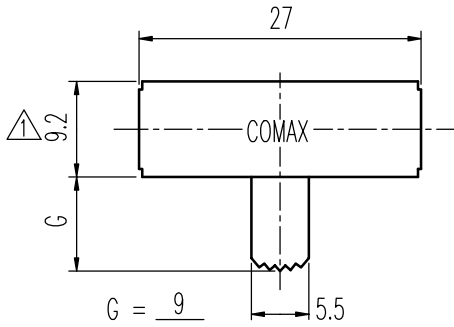
2.2 Changeover timing 切换类型

Shorting 先导通后断开 Non-shorting 先断开后导通 Not specified 无要求

2.3 Click 响声

Required 有 Unrequired 无

2.4 Dimensions and materials 寸法·材料



基板孔参考图 (指定外公差±0.05)

7	端子 TERMINAL	C2680R-H	8	WHITE	镀银0.5um 最小, Ag 0.5um Min
6	基板 TERMINAL BASE	PHENOLIC RESIN SD-168C	1	BLACK	_____
5	接触片 CONTACT	C5210R-EH/Ag	2	YELLOW/WHITE	_____
4	弹簧 SPRING	STEEL	1	BLACK	NATURAL
3	钢珠 STEEL BALL	STEEL	1	SILVERY	NATURAL
2	胶柄 KNOB	POM F30-03 [ⓑ]	1	BLACK	_____
1	铁壳 FRAME	SPCC	1	SILVERY	铜底1.0um 最小, 镀镍 2.0um 最小 MB: Cu 1.0um Min, Ni 2.0um Min
序NO.	零件 PART	材料 MATERIAL	数量 QTY	颜色 COLOR	表面处理 SURF FINISH

A03	POM F30-02 → POM F30-03, 见ⓐ	张渠江	2007-10-27
A02	修改材料表栏, 见ⓐ	杨蝶	2007-08-01
A01		曹文斌	2006-08-10
标号REV	内容 DESCRIPTION	签名 SIGN.	日期 DATE

TOLERANCES UNLESS OTHERWISE SPEC.		TITLE SIDE KNOB SLIDE SWITCH	ITEM NO SK-23H11-G 9 S	DWG NO. ITEM2703		
L ≤ 4	± 0.20			DRAWN 张渠江	VERSION A03	PAGE 1 OF 1
4 < L ≤ 16	± 0.30					
16 < L ≤ 63	± 0.40			REVIEWED 张念明	SCALE	UNIT mm
63 < L ≤ 250	± 0.50					
250 < L	± 0.70	APPROVED 程先金	PROJECTION			

COMAX ELECTRONICS (HUIZHOU) CO.,LTD.