



Chipsmall Limited consists of a professional team with an average of over 10 year of expertise in the distribution of electronic components. Based in Hongkong, we have already established firm and mutual-benefit business relationships with customers from,Europe,America and south Asia,supplying obsolete and hard-to-find components to meet their specific needs.

With the principle of “Quality Parts,Customers Priority,Honest Operation,and Considerate Service”,our business mainly focus on the distribution of electronic components. Line cards we deal with include Microchip,ALPS,ROHM,Xilinx,Pulse,ON,Everlight and Freescale. Main products comprise IC,Modules,Potentiometer,IC Socket,Relay,Connector.Our parts cover such applications as commercial,industrial, and automotives areas.

We are looking forward to setting up business relationship with you and hope to provide you with the best service and solution. Let us make a better world for our industry!



Contact us

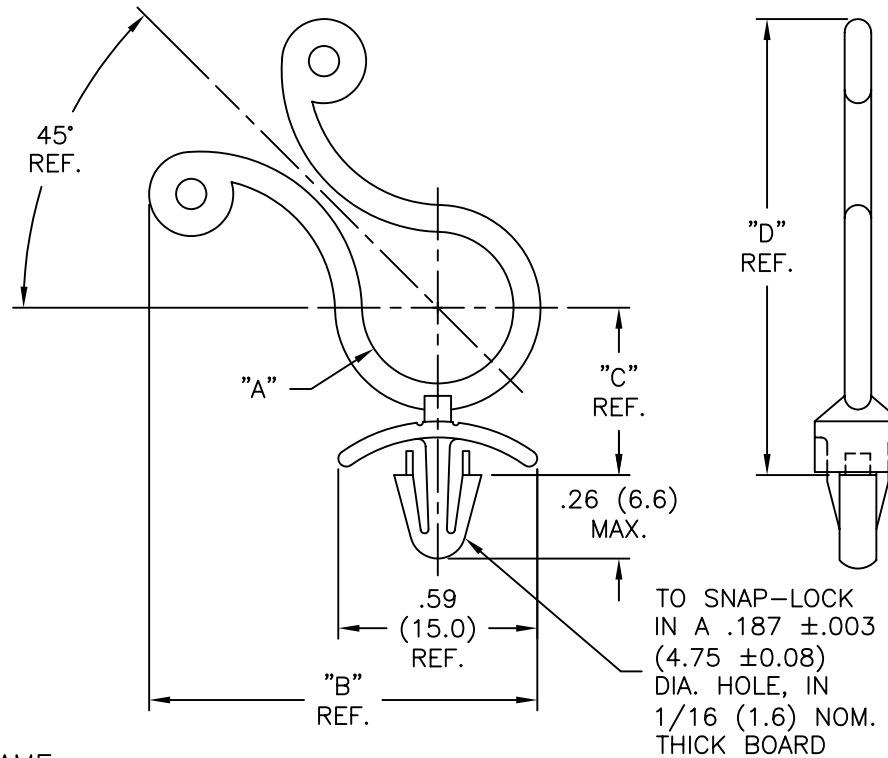
Tel: +86-755-8981 8866 Fax: +86-755-8427 6832

Email & Skype: info@chipsmall.com Web: www.chipsmall.com

Address: A1208, Overseas Decoration Building, #122 Zhenhua RD., Futian, Shenzhen, China



PART NO.	"A" BUNDLE DIA. RANGE	"B"	"C" REF.	"D" REF.
SKL45-250	.15-.25 (3.8-6.35)	.98 (24.9)	.33 (8.5)	1.05 (26.7)
SKL45-350	.30-.40 (7.6-10.0)	1.07 (27.2)	.43 (11.0)	1.20 (30.5)
SKL45-450	.40-.47 (10.0-12.0)	1.12 (28.4)	.47 (12.0)	1.30 (33.0)



NOTES:

1. MAT'L: NYLON 66 (RMS-01), FLAME RETARDANT NYLON (RMS-19) BY SPECIAL ORDER ONLY.

COLOR: NATURAL

TITLE: STAND-OFF KURLY-LOK, 45° ANGLE			DWG IN IN (MM)		FINAL	
D	SEE ECN #1081 FOR CHANGES	SK 10.14.05	TOLERANCES UNLESS NOTED	FILE # SKL45	DWN: P.B.	DT: 04-04-95
C	CHANGED FILE NO.	SM 10.25.02	.XX=±.010	MAT'L: SEE NOTES	CHKD:	ENGR:
B	ADD FLAME RETARDANT NYLON RMS-19	AM 04.12.99	.XXX=±.005	RE: RICHCO, INC.	RICHCO INC. PO BOX 804238, CHICAGO, 60680 (773) 539-4060	
A	FILE NO. 05246 WAS 05150; CONV. TO ACAD; .15-.25 WAS .20-.30; .40-.47 WAS .40-.50	PB 04.04.95	FRAC=±1/64	PART # SEE TABLE		PRINT TYPE CA
REV	DESCRIPTION	ENGR DATE	ANG=±1°			