



Chipsmall Limited consists of a professional team with an average of over 10 year of expertise in the distribution of electronic components. Based in Hongkong, we have already established firm and mutual-benefit business relationships with customers from,Europe,America and south Asia,supplying obsolete and hard-to-find components to meet their specific needs.

With the principle of “Quality Parts,Customers Priority,Honest Operation,and Considerate Service”,our business mainly focus on the distribution of electronic components. Line cards we deal with include Microchip,ALPS,ROHM,Xilinx,Pulse,ON,Everlight and Freescale. Main products comprise IC,Modules,Potentiometer,IC Socket,Relay,Connector.Our parts cover such applications as commercial,industrial, and automotives areas.

We are looking forward to setting up business relationship with you and hope to provide you with the best service and solution. Let us make a better world for our industry!



Contact us

Tel: +86-755-8981 8866 Fax: +86-755-8427 6832

Email & Skype: info@chipsmall.com Web: www.chipsmall.com

Address: A1208, Overseas Decoration Building, #122 Zhenhua RD., Futian, Shenzhen, China



Thermostats *SKT Series*



Features

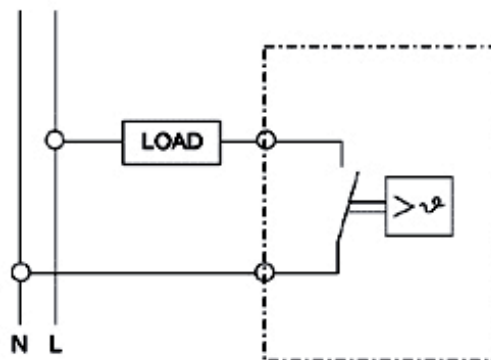
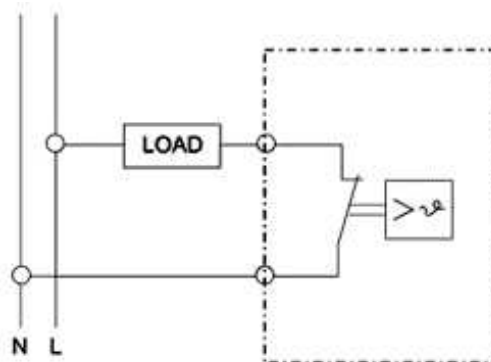
- Designed to provide air temperature control and monitoring in cabinets.
- Thermostat NC (Normally Closed) for the control of heaters and heater fans
- Thermostat NO (Normally Open) for the control of cooling units, or for switching signal transmitters in case of overheating.
- Available in Fahrenheit or Celsius.

NC - Normally Closed (Red)

- Used in conjunction with heaters.
- Contact opens when rising temperatures reach the set point temperature, shutting heater off.

NO - Normally open (Blue)

- Used in conjunction with fans.
- Contact closes when rising temperatures reach the set point temperature, turning fan on.



Part No.	Scale	Contact Type	Dimensions		Switching Capacity	Ship Wt. lbs
			Height x Width x Depth			
SKT011409NC	F°	Normally Closed	2.8 x 1.5 x 1.4		15 A (1) AC 120 V, 10 A (1) AC 250 V	1

Part No.	Scale	Contact Type	Dimensions		Switching Capacity	Ship Wt. lbs
			Height x Width x Depth			
SKT011409NC-C	C°	Normally Closed	2.8 x 1.5 x 1.4		15 A (1) AC 120 V, 10 A (1) AC 250 V	1
SKT011419NO	F°	Normally Open	2.8 x 1.5 x 1.4		15 A (1) AC 120 V, 10 A (1) AC 250 V	1
SKT011419NO-C	C°	Normally Open	2.8 x 1.5 x 1.4		15 A (1) AC 120 V, 10 A (1) AC 250 V	1

Sensor Element:	Thermostatic bi-metal
Switching difference (hysteresis):	+ or - 4°F (+or- 3°K)
Adjustment Range:	30 - 140°F
Noise Suppression:	N (according to VDE 0875)
Connection:	2 pole terminal for AWG 14 (2.5 mm ²)
Mounting:	Easily installed by clip mounting on 35 or 38mm DIN rail (included)
Housing:	Flame retardant plastic UL94VO
Color:	Gray (SB)
Protection:	IP20
Approval:	UL Recognized Component, cUL Recognized Component, CE

Data subject to change without notice