



Chipsmall Limited consists of a professional team with an average of over 10 year of expertise in the distribution of electronic components. Based in Hongkong, we have already established firm and mutual-benefit business relationships with customers from,Europe,America and south Asia,supplying obsolete and hard-to-find components to meet their specific needs.

With the principle of "Quality Parts,Customers Priority,Honest Operation,and Considerate Service",our business mainly focus on the distribution of electronic components. Line cards we deal with include Microchip,ALPS,ROHM,Xilinx,Pulse,ON,Everlight and Freescale. Main products comprise IC,Modules,Potentiometer,IC Socket,Relay,Connector.Our parts cover such applications as commercial,industrial, and automotives areas.

We are looking forward to setting up business relationship with you and hope to provide you with the best service and solution. Let us make a better world for our industry!



Contact us

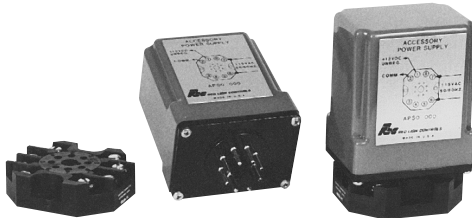
Tel: +86-755-8981 8866 Fax: +86-755-8427 6832

Email & Skype: info@chipsmall.com Web: www.chipsmall.com

Address: A1208, Overseas Decoration Building, #122 Zhenhua RD., Futian, Shenzhen, China



MODEL APS - OCTAL PLUG-IN ACCESSORY POWER SUPPLY



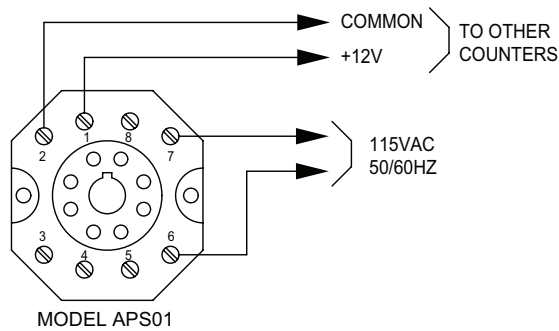
PROVIDES . . .

- +12 VDC "HELPER" SUPPLY FOR LOAD SHARING WITH UNREGULATED COUNTER SYSTEMS WITH UNUSUAL SENSOR AND ACCESSORY LOADS, OR . . .
- "STAND-ALONE" APPLICATIONS FOR POWERING SENSORS AND ACCESSORIES

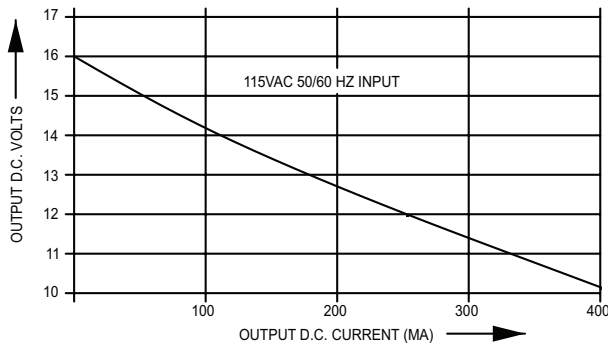
DESCRIPTION

The Model APS is an unregulated +12 VDC supply designed to load share when connected in parallel with internal power supplies of many Red Lion Controls Counters and Rate Indicators. It can also be used as a general purpose "Stand-alone" power supply to power other control circuits, sensors and accessories. The APS is designed for 115 VAC $\pm 10\%$, 50/60 Hz primary supply. Operating temperature range is -20° to $+50^{\circ}\text{C}$. Output current is per regulation curve.

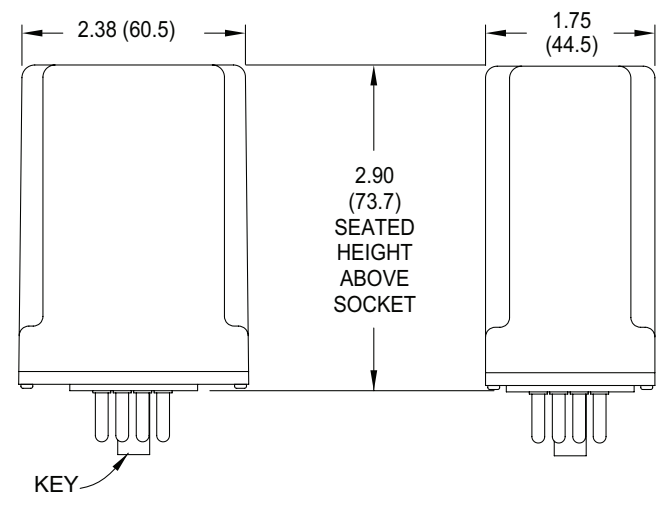
TYPICAL CONNECTION DIAGRAM



OUTPUT VOLTS/CURRENT REGULATION CURVE



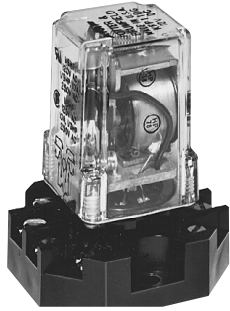
DIMENSIONS In inches (mm)



ORDERING INFORMATION

MODEL NO.	DESCRIPTION	PART NUMBER
APS01	115 VAC Accessory Power Supply	APS01000
SKT1	Base Mount 8-pin Octal Socket	SKT10000
--	DIN Rail 8-pin Socket	SKTDIN00

ACCESSORY PLUG-IN RELAY



PLUG-IN RELAYS PROVIDED FOR EASY SERVICING & MAINTENANCE

ORDERING INFORMATION

DESCRIPTION	COIL VOLTAGE	PART NUMBER
DPDT Plug-in Relay	12 VDC	RLY10000
	115 VAC	RLY30000
Base Mount 8-pin Octal Socket		SKT10000
DIN Rail 8-pin Socket		SKTDIN00

These industrial relays have a mechanical life expectancy in excess of 10 million cycles, and are both UL and CSA recognized.

RELAY SPECIFICATIONS

COIL: 12 VDC Coil - $120 \Omega \pm 10\%$,

Rated +12 VDC @ 100 mA.

115 VAC Coil - $2250 \Omega \pm 10\%$,

Rated 115 VAC @ 52 mA.

CONTACTS: 10 A @ 115 and 230 VAC

(1/6 HP @ 115 V, 1/3 HP @ 230 VAC)

OPERATING TIMES:

Energize - 30 msec max.

De-energize - 30 msec max.

Operating times do not include bounce time

(approx. 3 msec).

OPERATING TEMPERATURE RANGE:

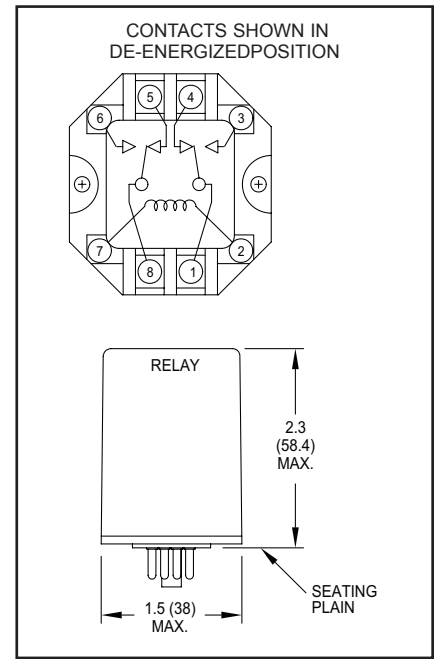
-45° to +60°C

ELECTRICAL LIFE: In excess of 100,000 operations

@ rated load.

WEIGHT: 3 oz (85.1 g)

Mating sockets sold separately. See Ordering Information.



LIMITED WARRANTY

The Company warrants the products it manufactures against defects in materials and workmanship for a period limited to two years from the date of shipment, provided the products have been stored, handled, installed, and used under proper conditions. The Company's liability under this limited warranty shall extend only to the repair or replacement of a defective product, at The Company's option. The Company disclaims all liability for any affirmation, promise or representation with respect to the products.

The customer agrees to hold Red Lion Controls harmless from, defend, and indemnify RLC against damages, claims, and expenses arising out of subsequent sales of RLC products or products containing components manufactured by RLC and based upon personal injuries, deaths, property damage, lost profits, and other matters which Buyer, its employees, or sub-contractors are or may be to any extent liable, including without limitation penalties imposed by the Consumer Product Safety Act (P.L. 92-573) and liability imposed upon any person pursuant to the Magnuson-Moss Warranty Act (P.L. 93-637), as now in effect or as amended hereafter.

No warranties expressed or implied are created with respect to The Company's products except those expressly contained herein. The Customer acknowledges the disclaimers and limitations contained herein and relies on no other warranties or affirmations.

Red Lion Controls
Headquarters
20 Willow Springs Circle
York PA 17406
Tel +1 (717) 767-6511
Fax +1 (717) 764-0839

Red Lion Controls
Europe
Softwareweg 9
NL - 3821 BN Amersfoort
Tel +31 (0) 334 723 225
Fax +31 (0) 334 893 793

Red Lion Controls
India
201-B, 2nd Floor, Park Centra
Opp 32 Mile Stone, Sector-30
Gurgaon-122002 Haryana, India
Tel +91 984 487 0503

Red Lion Controls
China
Unit 302, XinAn Plaza
Building 13, No.99 Tianzhou Road
ShangHai, P.R. China 200223
Tel +86 21 6113 3688
Fax +86 21 6113 3683