



Chipsmall Limited consists of a professional team with an average of over 10 year of expertise in the distribution of electronic components. Based in Hongkong, we have already established firm and mutual-benefit business relationships with customers from,Europe,America and south Asia,supplying obsolete and hard-to-find components to meet their specific needs.

With the principle of “Quality Parts,Customers Priority,Honest Operation,and Considerate Service”,our business mainly focus on the distribution of electronic components. Line cards we deal with include Microchip,ALPS,ROHM,Xilinx,Pulse,ON,Everlight and Freescale. Main products comprise IC,Modules,Potentiometer,IC Socket,Relay,Connector.Our parts cover such applications as commercial,industrial, and automotives areas.

We are looking forward to setting up business relationship with you and hope to provide you with the best service and solution. Let us make a better world for our industry!



## Contact us

Tel: +86-755-8981 8866 Fax: +86-755-8427 6832

Email & Skype: info@chipsmall.com Web: www.chipsmall.com

Address: A1208, Overseas Decoration Building, #122 Zhenhua RD., Futian, Shenzhen, China



**DATA SHEET**

# SKY13270-92LF: 20 MHz-2.7 GHz GaAs SPDT Switch

## Applications

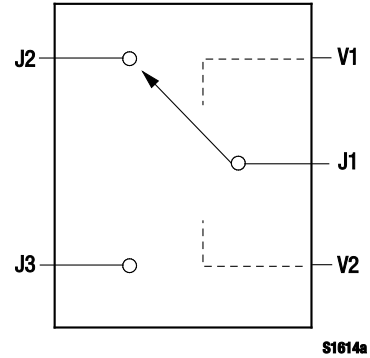
- Transmit/receive and diversity switching over 3 W
- Analog and digital wireless communication systems including cellular, GSM, and UMTS

## Features

- Broadband frequency range: 20 MHz to 2.7 GHz
- Very low insertion loss, 0.4 dB typical @ 1.0 GHz
- High isolation: 24 dB typical @ 1.0 GHz
- I<sub>PO</sub> 1dB = +37 dBm typical @ 3 V
- Low current consumption: <100 μA @ 3 V
- Ultra-miniature, SC-70 (6-pin, 2.00 x 1.25 mm) package (MSL1, 260 °C per JEDEC J-STD-020)



**Skyworks Green™ products are compliant with all applicable legislation and are halogen-free. For additional information, refer to Skyworks Definition of Green™, document number SQ04-0074.**



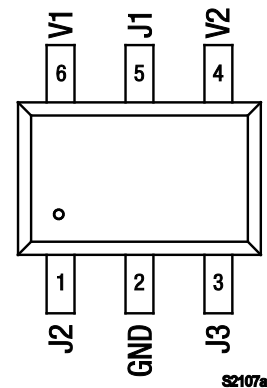
**Figure 1. SKY13270-92LF Block Diagram**

## Description

The SKY13270-92LF is a pHEMT GaAs FET Single Pole Double Throw (SPDT) high linearity switch. This wideband switch is designed for use in systems operating from 20 MHz to 2.7 GHz for which extremely high linearity, low control voltage, high isolation, low insertion loss, and ultra-miniature package size are required.

The device is controlled with positive, negative, or a combination of both voltages. The RF signal paths within the device are fully bilateral.

The SKY13270-92LF is manufactured in a compact, low-cost 2.00 x 1.25 mm, 6-pin SC-70 package. A functional block diagram is shown in Figure 1. The pin configuration and package are shown in Figure 2. Signal pin assignments and functional pin descriptions are provided in Table 1.



**Figure 2. SKY13270-92LF Pinout –6-Pin SC-70 (Top View)**

**Table 1. SKY13270-92LF Signal Descriptions**

Pin #	Name	Description	Pin #	Name	Description
1	J2	RF input/output. According to the logic voltage levels applied to the V1 and V2 pins, this port is either connected to J1 using a low insertion loss path or isolated from J1 (Note 1).	4	V2	DC control voltage input #2. The logic voltage applied to this pin, along with the voltage level applied to the V1 pin, determines the states of the RF paths between J1/J2 and J1/J3.
2	GND	Ground. Equipotential port, internal circuit common, which must connected to the PCB ground or common using the lowest possible impedance.	5	J1	RF input/output. According to the logic voltage levels applied to the V1 and V2 pins, this port is either connected to J2 or to J3 using a low insertion loss path and isolated from the other RF port (Note 1).
3	J3	RF input/output. According to the logic voltage levels applied to the V1 and V2 pins, this port is either connected to J1 using a low insertion loss path or isolated from J1 (Note 1).	6	V1	DC control voltage input #1. The logic voltage applied to this pin, along with the voltage level applied to the V2 pin, determines the states of the RF paths between J1/J2 and J1/J3.

**Note 1:** A 100 pF blocking capacitor is required for >500 MHz operation. Use larger value capacitors for lower frequency operation.

**Table 2. SKY13270-92LF Absolute Maximum Ratings**

Parameter	Symbol	Minimum	Maximum	Units
Control voltage	V <sub>CTL</sub>	-0.2	+8.0	V
RF input power (V <sub>CTL</sub> = 0-5 V @ 0.9 GHz)	P <sub>IN</sub>		+37.8	dBm
Operating temperature	T <sub>OP</sub>	-40	+85	°C
Storage temperature	T <sub>STG</sub>	-65	+150	°C

**Note:** Exposure to maximum rating conditions for extended periods may reduce device reliability. There is no damage to device with only one parameter set at the limit and all other parameters set at or below their nominal value.

**CAUTION:** Although this device is designed to be as robust as possible, Electrostatic Discharge (ESD) can damage this device. This device must be protected at all times from ESD. Static charges may easily produce potentials of several kilovolts on the human body or equipment, which can discharge without detection. Industry-standard ESD precautions should be used at all times.

## Technical Description

The SKY13270-92LF is controlled using two voltage inputs, V1 and V2 (pins 6 and 4, respectively). Depending on the voltage level applied to these pins, the common RF port (J1) is connected to one of two RF ports (J2 or J3) using a low insertion loss path, while the path between J1 and the other RF port is in its isolation state.

When the control voltages are toggled, the states between J1 and J2, as well as J1 and J3, are also toggled.

## Electrical and Mechanical Specifications

The absolute maximum ratings of the SKY13270-92LF are provided in Table 2. Electrical specifications are provided in Table 3 and the operating characteristics are specified in Table 4. Typical performance characteristics of the SKYA13270-92LF are illustrated in Figures 3 through 6.

The state of the SKY13270-92LF is determined by the logic provided in Table 5.

**Table 3. SKY13270-92LF Electrical Specifications (Note 1)**  
**(V<sub>CTL</sub> = 0-3 V, T<sub>OP</sub> = +25 °C, P<sub>IN</sub> = 0 dBm, Characteristic Impedance = 50 Ω, Unless Otherwise Noted)**

Parameter	Symbol	Test Condition	Min	Typical	Max	Units
Insertion loss	IL	0.02 to 0.5 GHz		0.40	0.50	dB
		0.5 to 1.0 GHz		0.45	0.50	dB
		1.0 to 2.0 GHz		0.50	0.60	dB
		2.0 to 2.7 GHz		0.60	0.70	dB
Isolation	Iso	0.02 to 0.5 GHz	28	30		dB
		0.5 to 1.0 GHz	22	24		dB
		1.0 to 2.0 GHz	17	22		dB
		2.0 to 2.7 GHz	15	19		dB
Return loss (insertion loss state)	IS111	0.02 to 2.7 GHz		18		dB
Switching characteristics:		0/90% or 90/10% RF		60		ns
		50% control to 90/10% RF		100		ns
		T <sub>RISE</sub> = 1 ns, bandwidth = 500 MHz		50		mV
0.1 dB Input Compression Point	IPO.1dB	@ 48 MHz @ 900 MHz		+33.9 +37.0		dBm dBm
2 <sup>nd</sup> and 3 <sup>rd</sup> harmonics	2fo, 3fo	P <sub>IN</sub> = +34.5 dBm @ 900 MHz		-65		dBc
Thermal resistance				25		°C/W
Control voltage:	V <sub>CTL_L</sub> V <sub>CTL_H</sub> V <sub>CTL_H</sub>		0		2.5 5.0	V
						V
						V

Note 1: Performance is guaranteed only under the conditions listed in this Table.

### Typical Performance Characteristics

**(V<sub>CTL</sub> = 0-3 V, T<sub>OP</sub> = +25 °C, P<sub>IN</sub> = 0 dBm, Characteristic Impedance [Z<sub>0</sub>] = 50 Ω, C<sub>BL</sub> = 100 pF, Unless Otherwise Noted)**

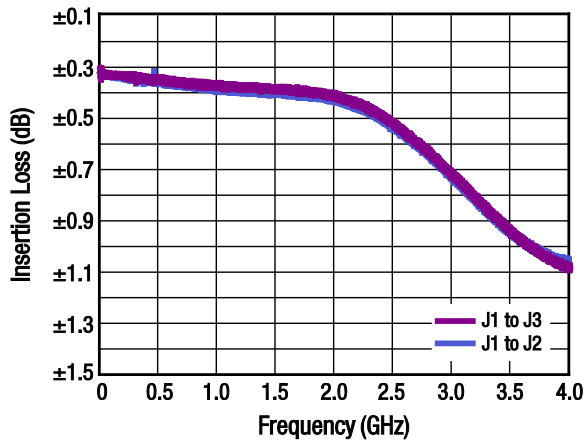


Figure 3. Insertion Loss vs Frequency

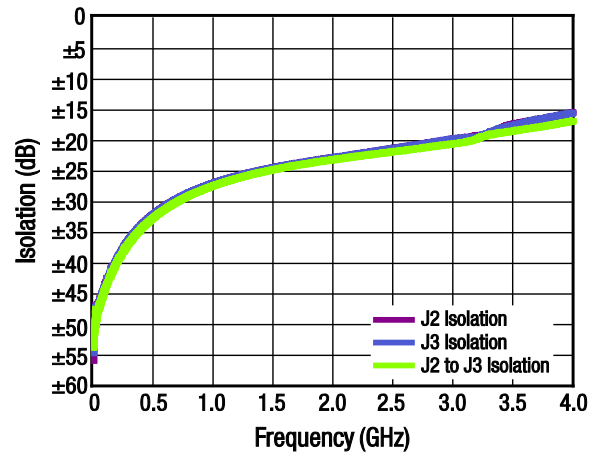


Figure 4. Isolation vs Frequency

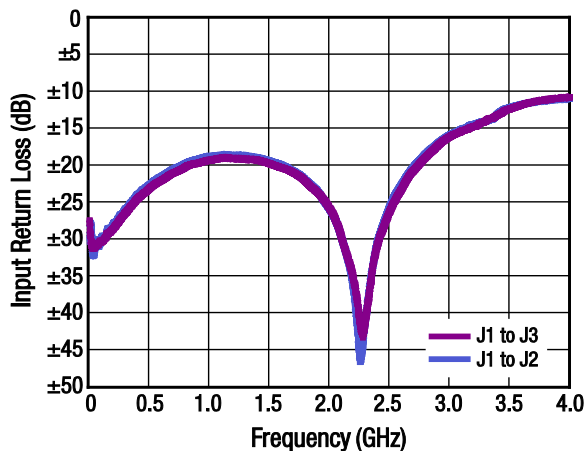


Figure 5. Input Return Loss (Insertion Loss State) vs Frequency

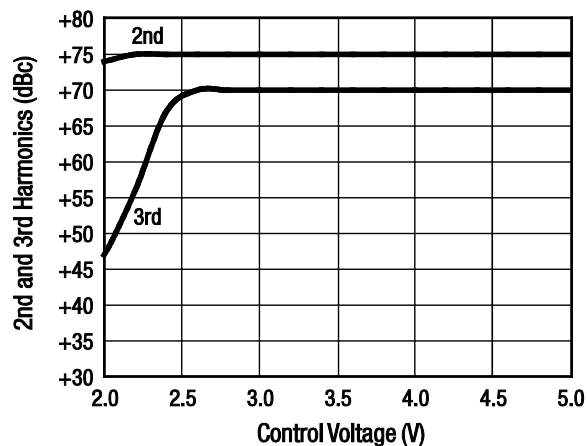


Figure 6. Second and Third Harmonics vs Control Voltage (Pin = +34.5 @ 900 MHz, GSM Signal)

Table 4. Truth Table (V<sub>HIGH</sub> = 2 to 5 V)

V1	V2	J1-J2	J1-J3
V <sub>LOW</sub>	V <sub>HIGH</sub>	Isolation	Insertion loss
V <sub>HIGH</sub>	V <sub>LOW</sub>	Insertion loss	Isolation

Note: V<sub>LOW</sub> = 0 to 0.2 V, V<sub>HIGH</sub> = 2.5 to 5.0 V. Any state other than described in this Table places the device in an undefined state. An undefined state does not damage the device.

### Evaluation Board Description

The SKY13270-92LF Evaluation Board is used to test the performance of the SKY13270-92LF SPDT switch. An Evaluation Board schematic diagram is provided in Figure 7. An assembly drawing for the Evaluation Board is shown in Figure 8.

### Package Dimensions

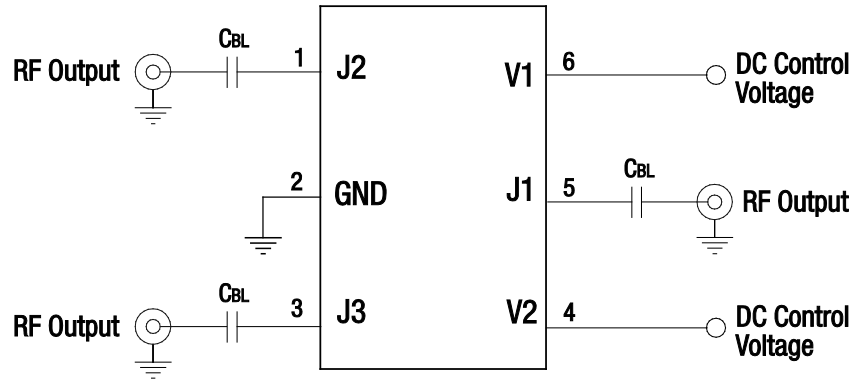
Typical case markings are shown in Figure 9. Package dimensions for the 6-pin SC-70 are shown in Figure 10, and tape and reel dimensions are provided in Figure 11.

### Package and Handling Information

Instructions on the shipping container label regarding exposure to moisture after the container seal is broken must be followed. Otherwise, problems related to moisture absorption may occur when the part is subjected to high temperature during solder assembly.

The SKY13270-92LF is rated to Moisture Sensitivity Level 1 (MSL1) at 260 °C. It can be used for lead or lead-free soldering.

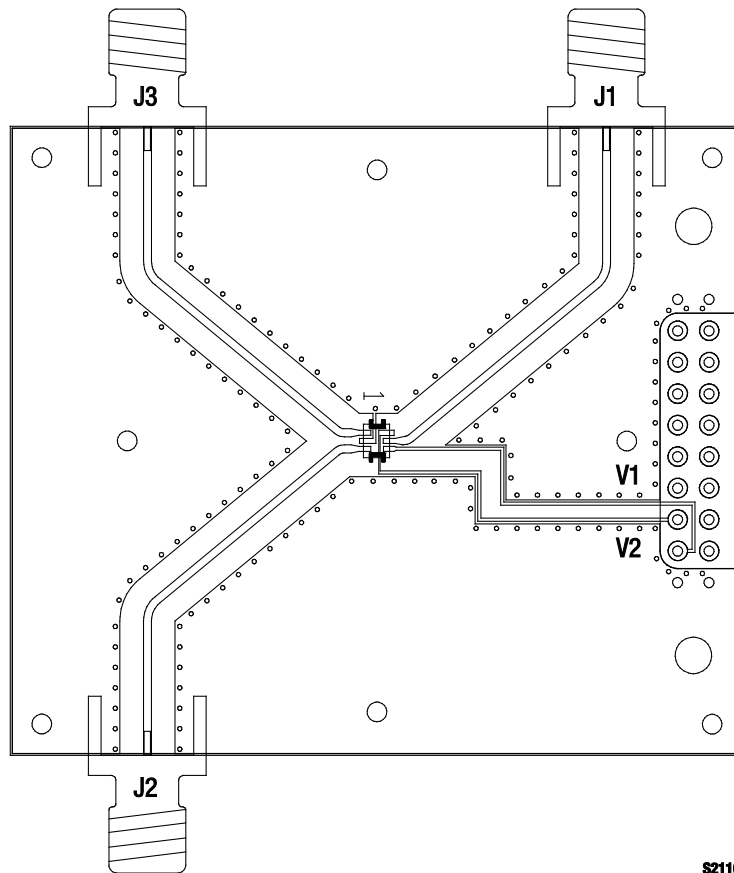
Care must be taken when attaching this product, whether it is done manually or in a production solder reflow environment. Production quantities of this product are shipped in a standard tape and reel format.



*Note: Use 100 pF blocking capacitors (CBL) for >500 MHz operation. Higher values recommended for lower frequency operation. Exposed paddle must be grounded.  
Use 10 nF blocking capacitors (CBL) for <50 MHz operation.*

S2108a

**Figure 7. SKY13270-92LF Evaluation Board Schematic**



S2110

**Figure 8. SKY13270-92LF Evaluation Board Assembly Diagram**

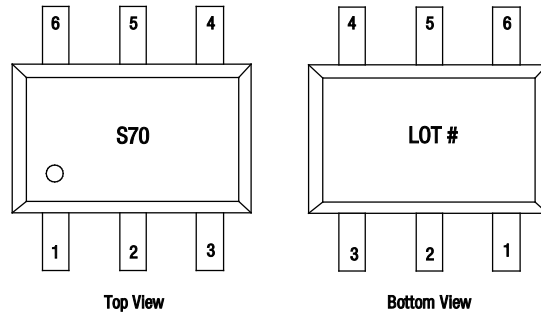
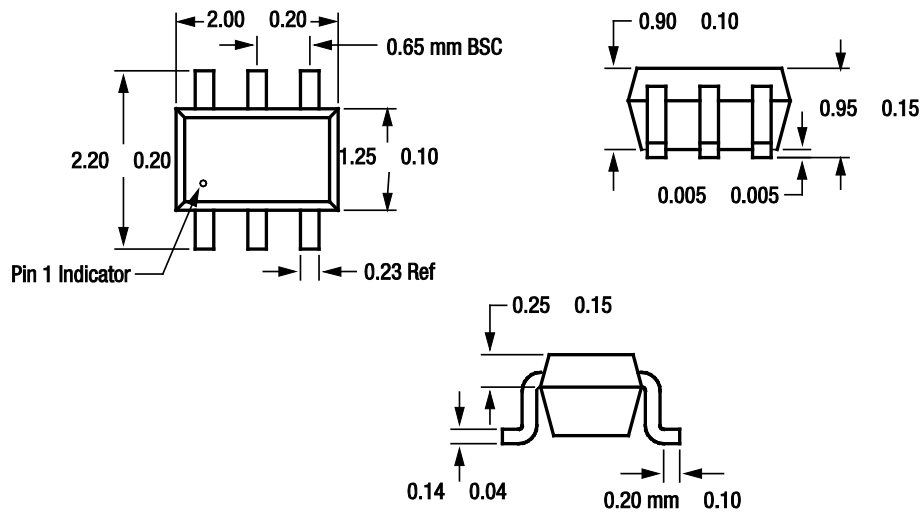


Figure 9. Typical Case Markings

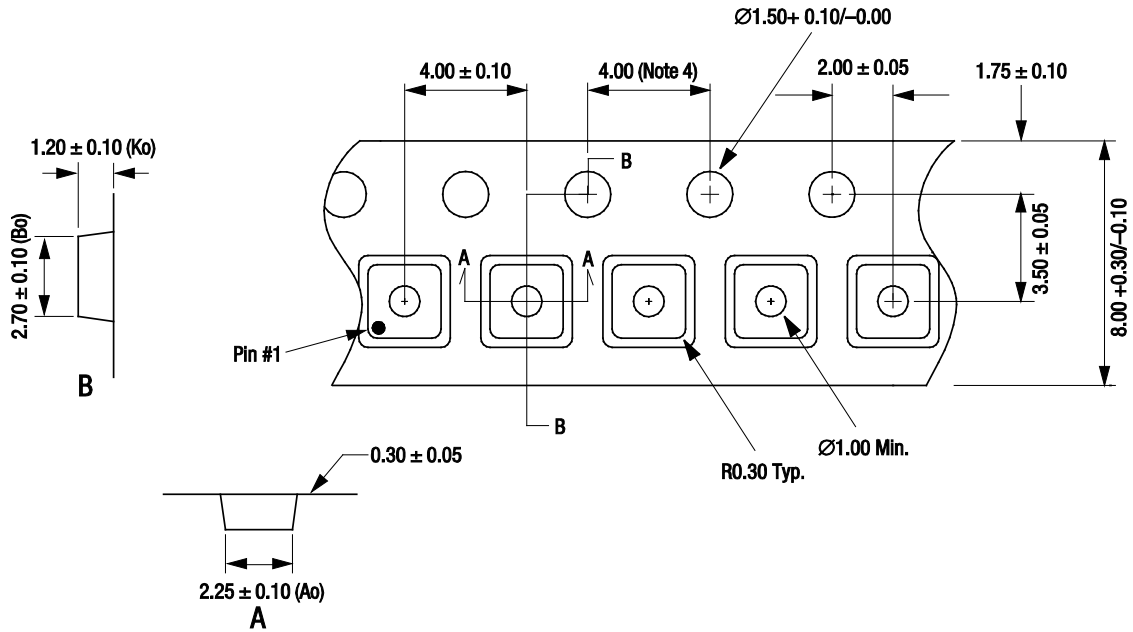


All measurements are in millimeters

Dimensioning and tolerancing according to ASME Y14.5M-1994

S1479

Figure 10. SKY13270-92LF 6-Pin SC-70 Package Dimensions



- Notes:**
1. Carrier tape: black conductive polystyrene.
  2. Cover tape material: transparent conductive HSA.
  3. Cover tape size: 5.40 mm width.
  4. Ten sprocket hole pitch cumulative tolerance  $\pm 0.20$  mm.
  5. All measurements are in millimeters.

S1581

Figure 11. SKY13270-92LF Tape and Reel Dimensions



## Ordering Information

Model Name	Manufacturing Part Number	Evaluation Board Part Number
SKY13270-92LF SPDT Switch	SKY13270-92LF	SKY13270-92LF-EVB

Copyright © 2002-2008, 2010, 2011, 2013 Skyworks Solutions, Inc. All Rights Reserved.

Information in this document is provided in connection with Skyworks Solutions, Inc. (“Skyworks”) products or services. These materials, including the information contained herein, are provided by Skyworks as a service to its customers and may be used for informational purposes only by the customer. Skyworks assumes no responsibility for errors or omissions in these materials or the information contained herein. Skyworks may change its documentation, products, services, specifications or product descriptions at any time, without notice. Skyworks makes no commitment to update the materials or information and shall have no responsibility whatsoever for conflicts, incompatibilities, or other difficulties arising from any future changes.

No license, whether express, implied, by estoppel or otherwise, is granted to any intellectual property rights by this document. Skyworks assumes no liability for any materials, products or information provided hereunder, including the sale, distribution, reproduction or use of Skyworks products, information or materials, except as may be provided in Skyworks Terms and Conditions of Sale.

THE MATERIALS, PRODUCTS AND INFORMATION ARE PROVIDED “AS IS” WITHOUT WARRANTY OF ANY KIND, WHETHER EXPRESS, IMPLIED, STATUTORY, OR OTHERWISE, INCLUDING FITNESS FOR A PARTICULAR PURPOSE OR USE, MERCHANTABILITY, PERFORMANCE, QUALITY OR NON-INFRINGEMENT OF ANY INTELLECTUAL PROPERTY RIGHT; ALL SUCH WARRANTIES ARE HEREBY EXPRESSLY DISCLAIMED. SKYWORKS DOES NOT WARRANT THE ACCURACY OR COMPLETENESS OF THE INFORMATION, TEXT, GRAPHICS OR OTHER ITEMS CONTAINED WITHIN THESE MATERIALS. SKYWORKS SHALL NOT BE LIABLE FOR ANY DAMAGES, INCLUDING BUT NOT LIMITED TO ANY SPECIAL, INDIRECT, INCIDENTAL, STATUTORY, OR CONSEQUENTIAL DAMAGES, INCLUDING WITHOUT LIMITATION, LOST REVENUES OR LOST PROFITS THAT MAY RESULT FROM THE USE OF THE MATERIALS OR INFORMATION, WHETHER OR NOT THE RECIPIENT OF MATERIALS HAS BEEN ADVISED OF THE POSSIBILITY OF SUCH DAMAGE.

Skyworks products are not intended for use in medical, lifesaving or life-sustaining applications, or other equipment in which the failure of the Skyworks products could lead to personal injury, death, physical or environmental damage. Skyworks customers using or selling Skyworks products for use in such applications do so at their own risk and agree to fully indemnify Skyworks for any damages resulting from such improper use or sale.

Customers are responsible for their products and applications using Skyworks products, which may deviate from published specifications as a result of design defects, errors, or operation of products outside of published parameters or design specifications. Customers should include design and operating safeguards to minimize these and other risks. Skyworks assumes no liability for applications assistance, customer product design, or damage to any equipment resulting from the use of Skyworks products outside of stated published specifications or parameters.

Skyworks, the Skyworks symbol, and “Breakthrough Simplicity” are trademarks or registered trademarks of Skyworks Solutions, Inc., in the United States and other countries. Third-party brands and names are for identification purposes only, and are the property of their respective owners. Additional information, including relevant terms and conditions, posted at [www.skyworksinc.com](http://www.skyworksinc.com), are incorporated by reference.