



Chipsmall Limited consists of a professional team with an average of over 10 year of expertise in the distribution of electronic components. Based in Hongkong, we have already established firm and mutual-benefit business relationships with customers from,Europe,America and south Asia,supplying obsolete and hard-to-find components to meet their specific needs.

With the principle of “Quality Parts,Customers Priority,Honest Operation,and Considerate Service”,our business mainly focus on the distribution of electronic components. Line cards we deal with include Microchip,ALPS,ROHM,Xilinx,Pulse,ON,Everlight and Freescale. Main products comprise IC,Modules,Potentiometer,IC Socket,Relay,Connector.Our parts cover such applications as commercial,industrial, and automotives areas.

We are looking forward to setting up business relationship with you and hope to provide you with the best service and solution. Let us make a better world for our industry!



## Contact us

Tel: +86-755-8981 8866 Fax: +86-755-8427 6832

Email & Skype: info@chipsmall.com Web: www.chipsmall.com

Address: A1208, Overseas Decoration Building, #122 Zhenhua RD., Futian, Shenzhen, China



**DATA SHEET**

# SKY13397-388LF: 0.1 – 3.0 GHz DP5T Switch

## Applications

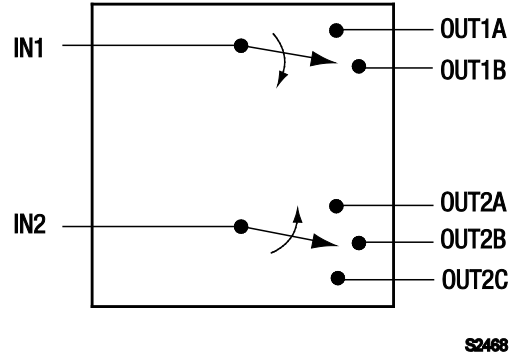
- WCDMA distribution band switches
- Broadband, high power switches
- Antenna tuning switches

## Features

- Broadband frequency range: 0.1 to 3.0 GHz
- High IP0.1dB: +38 dBm
- Low insertion loss: 0.35 dB @ 1.0 GHz and 0.4 dB @ 2.0 GHz
- High isolation: >30 dB @ 1.0 GHz and 2.0 GHz
- Operating battery voltage range: 2.5 to 5.0 V
- Small, QFN (16-pin, 2.3 x 2.3 mm) package (MSL1, 260 °C per JEDEC J-STD-020)



**Skyworks Green™ products are compliant with all applicable legislation and are halogen-free.**  
 For additional information, refer to *Skyworks Definition of Green™*, document number SQ04-0074.



**Figure 1. SKY13397-388LF Block Diagram**

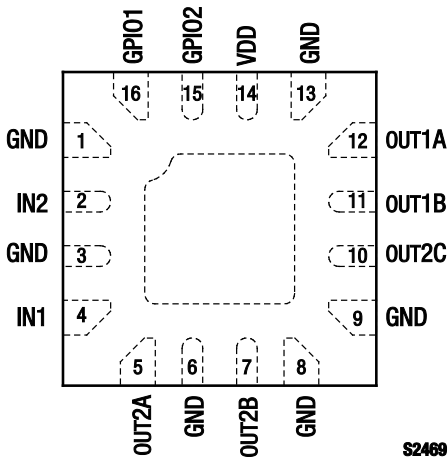
## Description

The SKY13397-388LF is a double-pole, five-throw (DP5T) switch designed for broadband, high-power switching applications that demand low harmonics and low insertion loss. The switch is optimized for 3G WCDMA applications.

The SKY13397-388LF features integrated logic that uses only two control lines for switch operation. The low current consumption of the device makes it very suitable for battery-operated applications.

The switch is manufactured using a state of the art Silicon on Insulator (SOI) process, and is provided in a compact Quad Flat No-Lead (QFN) 2.3 x 2.3 mm package.

A functional block diagram is shown in Figure 1. The pin configuration and package are shown in Figure 2. Signal pin assignments and functional pin descriptions are provided in Table 1.



**Figure 2. SKY13397-388LF Pinout – 16-Pin QFN (Top View)**

**Table 1. SKY13397-388LF Signal Descriptions**

Pin #	Name	Description	Pin #	Name	Description
1	GND	Ground	9	GND	Ground
2	IN2	RF input 2. This pin connected to pins 5, 7, or 10 depending on the control voltage applied to pins 15 and 16.	10	OUT2C	RF input 2C, connected to RF input 2
3	GND	Ground	11	OUT1B	RF output 1B, connected to RF input 1
4	IN1	RF input 1. This pin connected to pins pins 11 or 12 depending on the control voltage applied to pins 15 and 16.	12	OUT1A	RF output 1A, connected to RF input 1
5	OUT2A	RF output 2A, connected to RF input 2	13	GND	Ground
6	GND	Ground	14	VDD	Supply voltage input.
7	OUT2B	RF output 2B, connected to RF input 2	15	GPIO2	Control signal 2. Logic level applied to this pin and to pin 16, controls the state of the switch.
8	GND	Ground	16	GPIO1	Control signal 1. Logic level applied to this pin and to pin 15, controls the state of the switch.

**Table 2. SKY13397-388LF Absolute Maximum Ratings**

Parameter	Symbol	Minimum	Maximum	Units
Supply voltage	V <sub>DD</sub>	2.5	5.5	V
Control voltage	V <sub>CTL</sub>	1.65	3.30	V
Input power	P <sub>IN</sub>		+40	dBm
Storage temperature	T <sub>STG</sub>	-50	+100	°C
Operating temperature	T <sub>OP</sub>	-30	+85	°C

**Note:** Exposure to maximum rating conditions for extended periods may reduce device reliability. There is no damage to device with only one parameter set at the limit and all other parameters set at or below their nominal value. Exceeding any of the limits listed here may result in permanent damage to the device.

**CAUTION:** Although this device is designed to be as robust as possible, Electrostatic Discharge (ESD) can damage this device. This device must be protected at all times from ESD. Static charges may easily produce potentials of several kilovolts on the human body or equipment, which can discharge without detection. Industry-standard ESD precautions should be used at all times.

### Functional Description

The SKY13397-388LF includes an internal negative voltage generator and decoder that eliminate the need for external DC blocking capacitors on the RF ports. No external components are required for proper operation. DC decoupling capacitors may be added on the VDD and control lines if necessary.

Switching is controlled by two control voltage inputs, GPIO1 and GPIO2. Depending on the logic voltage level applied to the control pins, the OUT1 signal (pin 4) is connected to one of two switched RF inputs (IN1A or IN1B) through a low insertion loss path, while the OUT2 signal (pin 2) is simultaneously switched to one of three RF inputs (IN2A, IN2B, IN2C).

For proper switching operation, the SKY13397-388LF must be set to a state for a minimum of 10 μs before changing to a different state.

Shutdown mode is enabled by connecting both control pins to logic low. This mode reduces the overall current consumption of the device to 5 μA, typical. To prevent the switch from accidentally entering shutdown mode during switching, caution must be taken to avoid having both control signals (GPIO1 and GPIO2) set to logic low for more than 500 ns. When exiting shutdown mode, the switch has a 25 μs startup time before switching occurs.

## Electrical and Mechanical Specifications

The absolute maximum ratings of the SKY13397-388LF are provided in Table 2. Electrical specifications are provided in Table 3.

The SKY13397-388LF may be used in one of two modes: active and standby. These modes are controlled by the General Purpose

I/O (GPIO) pins 15 and 16 with  $V_{DD} = \text{high}$ . When  $V_{DD}$  is high, the switch is active and its state is controlled as described in Table 4. When the switch is in standby mode, all paths are not operating.

**Table 3. SKY13397-388LF Electrical Specifications (Note 1)**

**( $V_{DD} = 2.5 \text{ V to } 5.0 \text{ V}$ ,  $T_{OP} = +25 \text{ }^\circ\text{C}$ ,  $V_{HIGH} > 1.8 \text{ V}$ , All Unused RF Ports Terminated in a  $50 \text{ } \Omega$  Load, Unless Otherwise Noted)**

Parameter	Symbol	Test Condition	Min	Typical	Max	Units
Insertion loss		0.1 to 1.0 GHz		0.35	0.45	dB
		1.0 to 2.0 GHz		0.40	0.50	dB
		2.0 to 2.5 GHz		0.45	0.60	dB
Isolation		0.1 to 1.0 GHz	40	51		dB
		1.0 to 2.0 GHz	28	31		dB
		2.0 to 2.5 GHz	27	29		dB
Return loss		0.1 to 2.2 GHz	14	17		dB
2 <sup>nd</sup> harmonic	2fo	f <sub>FUNDAMENTAL</sub> = 900 MHz, P <sub>IN</sub> = +28 dBm		-56		dBm
		f <sub>FUNDAMENTAL</sub> = 1800 MHz, P <sub>IN</sub> = +28 dBm		-51		dBm
3 <sup>rd</sup> harmonic	3fo	f <sub>FUNDAMENTAL</sub> = 900 MHz, P <sub>IN</sub> = +28 dBm		-52		dBm
		f <sub>FUNDAMENTAL</sub> = 1800 MHz, P <sub>IN</sub> = +28 dBm		-45		dBm
Input 0.1 dB compression point	IP0.1dB	f = 900 MHz	+37	+38		dBm
		f = 1800 MHz	+37	+38		dBm
Supply voltage	$V_{DD}$		2.5		5.0	V
Control voltage (Note 2)		$V_{HIGH}$	1.65	2.00	3.30	V
		$V_{LOW}$		0	0.30	V
Supply Current		Control current in active & isolation		27		$\mu\text{A}$
		Control current in standby @ $V_{DD} = 2.5 \text{ V}$		0.8	5.0	$\mu\text{A}$
		Control current in standby @ $V_{DD} = 4.5 \text{ V}$		4.7		$\mu\text{A}$
		Control current in standby @ $V_{DD} = 5.5 \text{ V}$		6.0		$\mu\text{A}$
Switching rise time		10/90% RF		0.40	0.75	$\mu\text{s}$
Switching fall time		90/10% RF		1.0	1.5	$\mu\text{s}$
Switching on time		50% $V_{CTL}$ to 10/90% RF		2.2	2.5	$\mu\text{s}$
Switching off time		50% $V_{CTL}$ to 90/10% RF		2.2	2.5	$\mu\text{s}$
Logic dwell time (Note 3)		$T_{OP} = -40 \text{ }^\circ\text{C to } +85 \text{ }^\circ\text{C}$	10	12		$\mu\text{s}$
Startup time (Note 4)		Shutdown state to any RF switch state		20	25	$\mu\text{s}$

**Note 1:** Performance is guaranteed only under the conditions listed in this Table.

**Note 2:** Control voltage must be less than or equal to  $V_{DD}$  at all times.

**Note 3:** Dwell time refers to the amount of time the switch is required to stay in any one state before switching to another state. Refer to the Functional Description section for more information.

**Note 4:** Startup time refers to the amount of time it takes for the switch to be fully operational when coming out of shutdown mode.

**Table 4. SKY13397-388LF Truth Table**

State	GPI01	GPI02	RF Path
1	0	0	Standby
2	0	1	OUT1B, OUT2B
3	1	0	OUT1A, OUT2A
4	1	1	OUT2C

**Note:** "1" = +1.65 to +3.30 V (for GPI01 and GPI02 pins), "0" = 0 V to +0.2 V. Any state other than described in this Table places the switch into an undefined state. An undefined state will not damage the device.

**Evaluation Board**

The SKY13397-388LF Evaluation Board is used to test the performance of the SKY13397-388LF DP6T Switch. An Evaluation Board schematic diagram is provided in Figure 3. An assembly drawing for the Evaluation Board is shown in Figure 4.

**Package Dimensions**

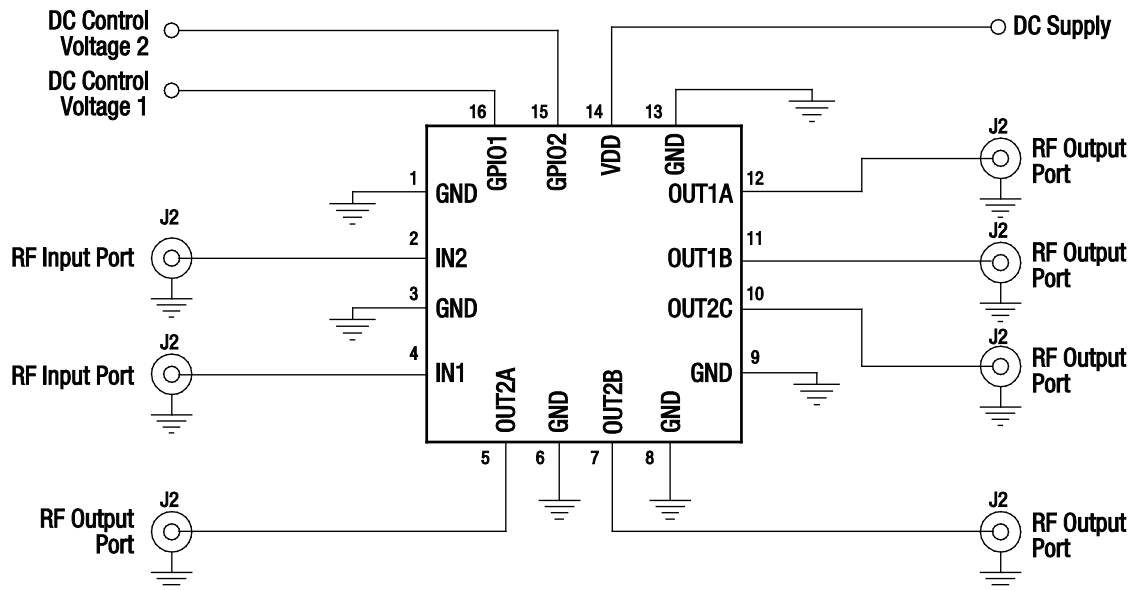
The PCB layout footprint for the SKY13397-388LF is provided in Figure 5. Typical case markings are shown in Figure 6. Package dimensions for the 16-pin QFN are shown in Figure 7, and tape and reel dimensions are provided in Figure 8.

**Package and Handling Information**

Instructions on the shipping container label regarding exposure to moisture after the container seal is broken must be followed. Otherwise, problems related to moisture absorption may occur when the part is subjected to high temperature during solder assembly.

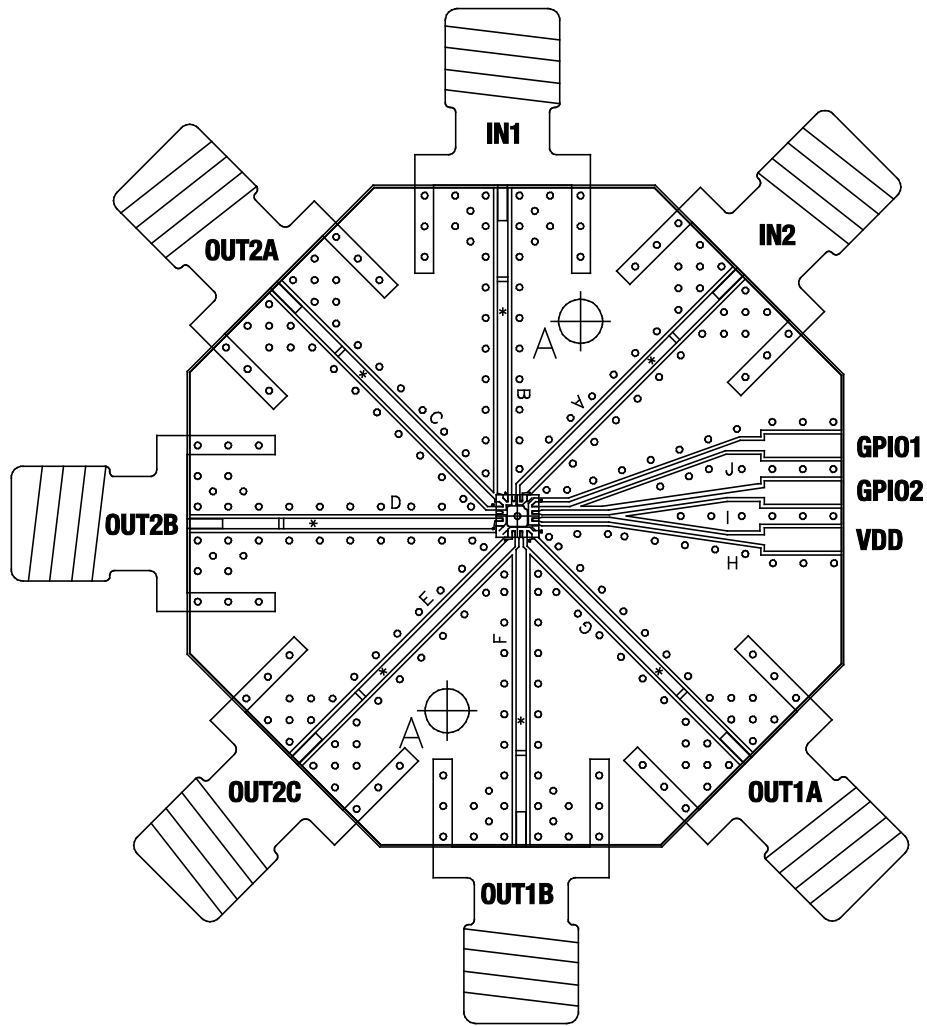
THE SKY13397-388LF is rated to Moisture Sensitivity Level 1 (MSL1) at 260 °C. It can be used for lead or lead-free soldering. For additional information, refer to the Skyworks Application Note, *Solder Reflow Information*, document number 200164.

Care must be taken when attaching this product, whether it is done manually or in a production solder reflow environment. Production quantities of this product are shipped in a standard tape and reel format.



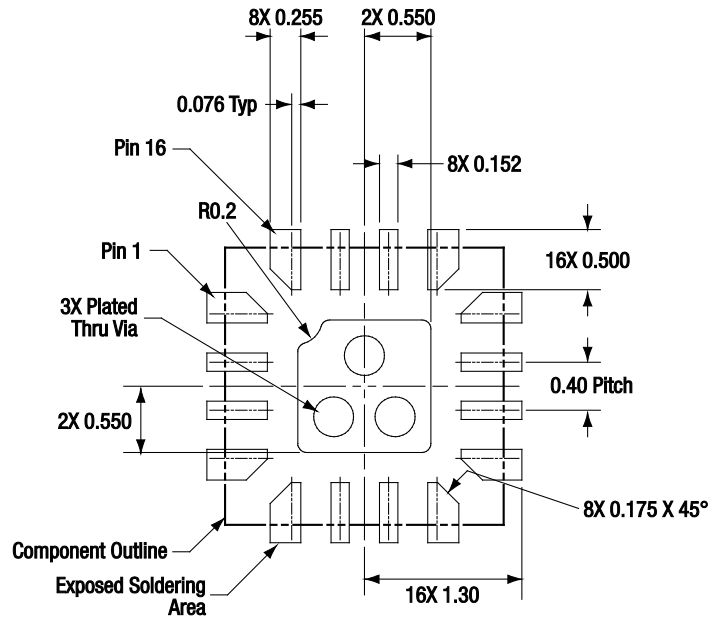
S2470

**Figure 3. SKY13397-388LF Evaluation Board Schematic**



S2471

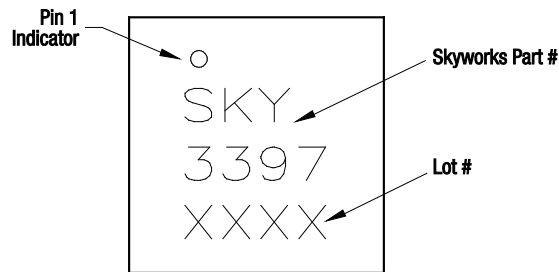
Figure 4. SKY13397-388LF Evaluation Board Assembly Diagram



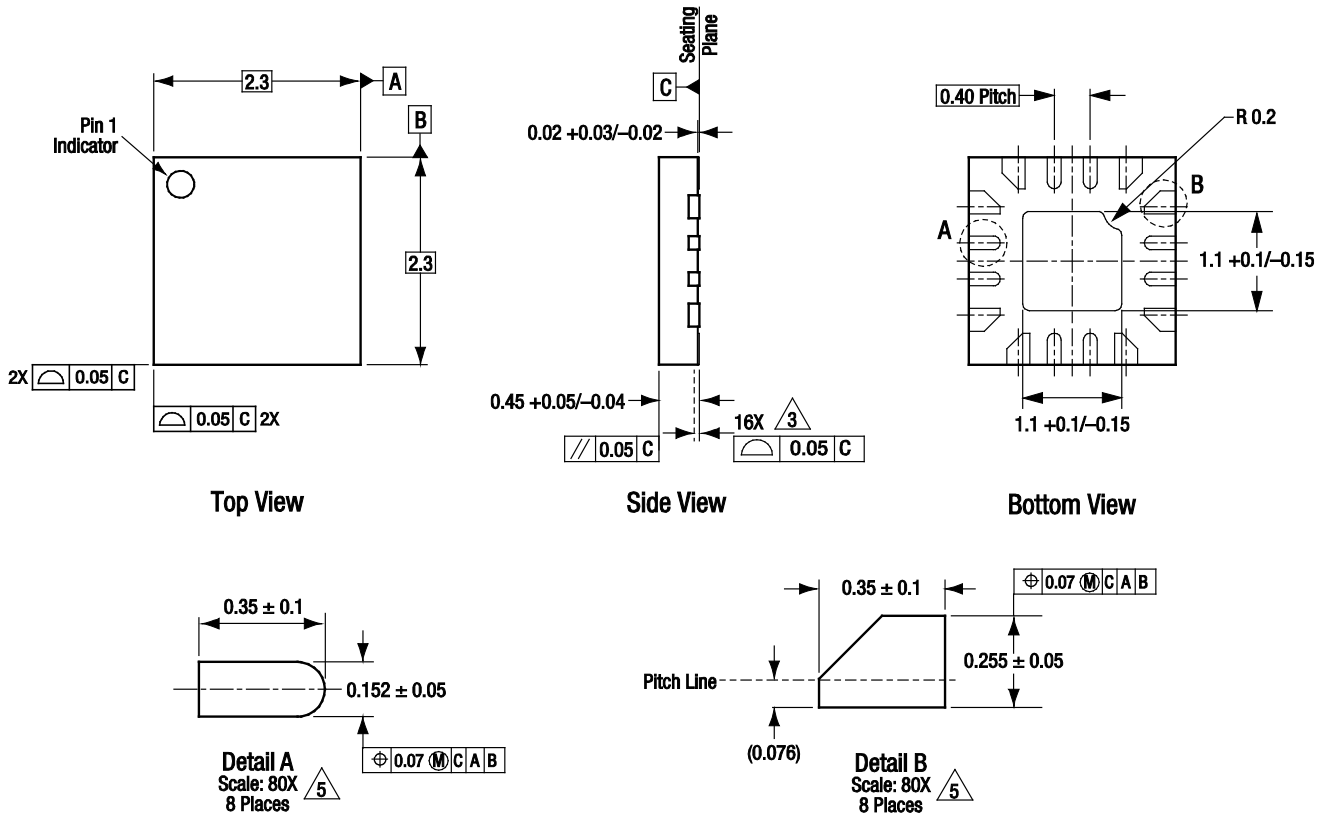
All measurements in millimeters

S2309

**Figure 5. SKY13397-388LF PCB Layout Footprint (Top View)**



**Figure 6. Typical Case Markings (Top View)**



All measurements are in millimeters

Dimensioning and tolerancing according to ASME Y14.5M-1994

S2307

Figure 7. SKY13397-388LF 16-Pin QFN Package Dimensions





**Ordering Information**

Model Name	Manufacturing Part Number	Evaluation Board Part Number
SKY13397-388LF DP5T Switch	SKY13397-388LF	SK41602-1

Copyright © 2011, 2013 Skyworks Solutions, Inc. All Rights Reserved.

Information in this document is provided in connection with Skyworks Solutions, Inc. ("Skyworks") products or services. These materials, including the information contained herein, are provided by Skyworks as a service to its customers and may be used for informational purposes only by the customer. Skyworks assumes no responsibility for errors or omissions in these materials or the information contained herein. Skyworks may change its documentation, products, services, specifications or product descriptions at any time, without notice. Skyworks makes no commitment to update the materials or information and shall have no responsibility whatsoever for conflicts, incompatibilities, or other difficulties arising from any future changes.

No license, whether express, implied, by estoppel or otherwise, is granted to any intellectual property rights by this document. Skyworks assumes no liability for any materials, products or information provided hereunder, including the sale, distribution, reproduction or use of Skyworks products, information or materials, except as may be provided in Skyworks Terms and Conditions of Sale.

THE MATERIALS, PRODUCTS AND INFORMATION ARE PROVIDED "AS IS" WITHOUT WARRANTY OF ANY KIND, WHETHER EXPRESS, IMPLIED, STATUTORY, OR OTHERWISE, INCLUDING FITNESS FOR A PARTICULAR PURPOSE OR USE, MERCHANTABILITY, PERFORMANCE, QUALITY OR NON-INFRINGEMENT OF ANY INTELLECTUAL PROPERTY RIGHT; ALL SUCH WARRANTIES ARE HEREBY EXPRESSLY DISCLAIMED. SKYWORKS DOES NOT WARRANT THE ACCURACY OR COMPLETENESS OF THE INFORMATION, TEXT, GRAPHICS OR OTHER ITEMS CONTAINED WITHIN THESE MATERIALS. SKYWORKS SHALL NOT BE LIABLE FOR ANY DAMAGES, INCLUDING BUT NOT LIMITED TO ANY SPECIAL, INDIRECT, INCIDENTAL, STATUTORY, OR CONSEQUENTIAL DAMAGES, INCLUDING WITHOUT LIMITATION, LOST REVENUES OR LOST PROFITS THAT MAY RESULT FROM THE USE OF THE MATERIALS OR INFORMATION, WHETHER OR NOT THE RECIPIENT OF MATERIALS HAS BEEN ADVISED OF THE POSSIBILITY OF SUCH DAMAGE.

Skyworks products are not intended for use in medical, lifesaving or life-sustaining applications, or other equipment in which the failure of the Skyworks products could lead to personal injury, death, physical or environmental damage. Skyworks customers using or selling Skyworks products for use in such applications do so at their own risk and agree to fully indemnify Skyworks for any damages resulting from such improper use or sale.

Customers are responsible for their products and applications using Skyworks products, which may deviate from published specifications as a result of design defects, errors, or operation of products outside of published parameters or design specifications. Customers should include design and operating safeguards to minimize these and other risks. Skyworks assumes no liability for applications assistance, customer product design, or damage to any equipment resulting from the use of Skyworks products outside of stated published specifications or parameters.

Skyworks, the Skyworks symbol, and "Breakthrough Simplicity" are trademarks or registered trademarks of Skyworks Solutions, Inc., in the United States and other countries. Third-party brands and names are for identification purposes only, and are the property of their respective owners. Additional information, including relevant terms and conditions, posted at [www.skyworksinc.com](http://www.skyworksinc.com), are incorporated by reference.