



Chipsmall Limited consists of a professional team with an average of over 10 year of expertise in the distribution of electronic components. Based in Hongkong, we have already established firm and mutual-benefit business relationships with customers from,Europe,America and south Asia,supplying obsolete and hard-to-find components to meet their specific needs.

With the principle of “Quality Parts,Customers Priority,Honest Operation,and Considerate Service”,our business mainly focus on the distribution of electronic components. Line cards we deal with include Microchip,ALPS,ROHM,Xilinx,Pulse,ON,Everlight and Freescale. Main products comprise IC,Modules,Potentiometer,IC Socket,Relay,Connector.Our parts cover such applications as commercial,industrial, and automotives areas.

We are looking forward to setting up business relationship with you and hope to provide you with the best service and solution. Let us make a better world for our industry!



Contact us

Tel: +86-755-8981 8866 Fax: +86-755-8427 6832

Email & Skype: info@chipsmall.com Web: www.chipsmall.com

Address: A1208, Overseas Decoration Building, #122 Zhenhua RD., Futian, Shenzhen, China



DATA SHEET

SKY67105-306LF: 0.6-1.1 GHz Two-Stage, High Linearity and High Gain Low-Noise Amplifier

Applications

- GSM, CDMA, WCDMA, cellular infrastructure systems
- Ultra low-noise, high gain and high linearity systems

Features

- Ultra-low NF: 0.69 dB @ 850 MHz
- High gain: 37 dB @ 850 MHz
- +4 or +5 V operation for improved efficiency
- Stage 1 adjustable gain and current
- Wideband performance, useable to 1.1 GHz
- Small, QFN (16-pin, 4 x 4 mm) Pb-free package (MSL1, 260 °C per JEDEC J-STD-020)



Skyworks Green™ products are compliant with all applicable legislation and are halogen-free. For additional information, refer to *Skyworks Definition of Green™*, document number SQ04-0074.

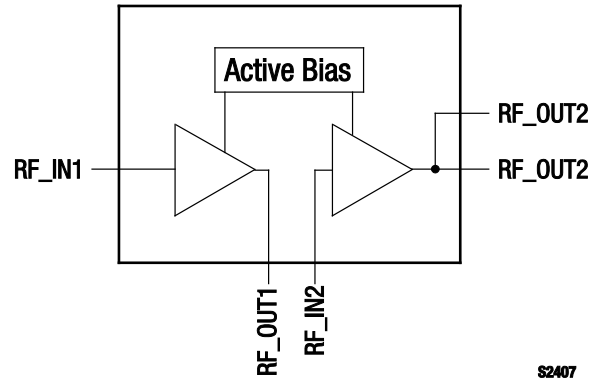


Figure 1. SKY67105-306LF Block Diagram

Description

The SKY67105-306LF is a GaAs pHEMT and HBT two-stage, Low-Noise Amplifier (LNA) with active bias and high linearity performance. The pHEMT front end of the device provides an ultra-low Noise Figure (NF) while the HBT output stage provides high gain, linearity, and efficiency.

The SKY67105-306LF operates in the frequency range of 0.6 to 1.1 GHz. For higher frequency operation, the pin and layout-compatible SKY67106-306LF (Data Sheet document # 201521) should be used.

The SKY67105-306LF is provided in a 4 x 4 mm, 16-pin Quad Flat No-Lead (QFN) package. A functional block diagram is shown in Figure 1. The pin configuration and package are shown in Figure 2. Signal pin assignments and functional pin descriptions are provided in Table 1.

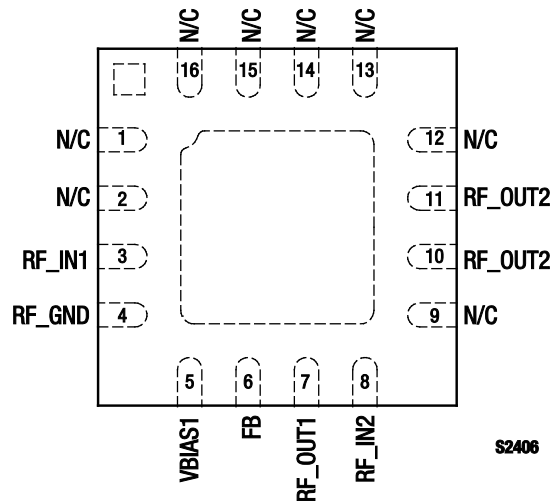


Figure 2. SKY67105-306LF Pinout – 16-Pin QFN (Top View)

Table 1. SKY67105-306LF Signal Descriptions

Pin #	Name	Description	Pin #	Name	Description
1	N/C	No connection. May be grounded with no change in performance.	9	N/C	No connection. May be grounded with no change in performance.
2	N/C	No connection. May be grounded with no change in performance.	10	RF_OUT2	RF output of second stage amplifier. Bias to the output of stage 2 is supplied through pins 10 and 11.
3	RF_IN1	RF input to first stage amplifier	11	RF_OUT2	RF output of second stage amplifier. Bias to the output of stage 2 is supplied through pins 10 and 11.
4	RF_GND	RF ground for first stage amplifier	12	N/C	No connection. May be grounded with no change in performance.
5	VBIAS1	Bias for first stage amplifier. External resistor sets current consumption.	13	N/C	No connection. May be grounded with no change in performance.
6	FB	Feedback pin for first stage amplifier.	14	N/C	No connection. May be grounded with no change in performance.
7	RF_OUT1	RF output of first stage amplifier	15	N/C	No connection. May be grounded with no change in performance.
8	RF_IN2	RF input to second stage amplifier	16	N/C	No connection. May be grounded with no change in performance.

Electrical and Mechanical Specifications

The absolute maximum ratings of the SKY67105-306LF are provided in Table 2. Electrical specifications are provided in Tables 3 ($V_{DD} = +5\text{ V}$) and 4 ($V_{DD} = +4\text{ V}$).

Typical performance characteristics of the SKY67105-306LF are illustrated in Figures 3 through 15.

Table 2. SKY67105-306LF Absolute Maximum Ratings

Parameter	Symbol	Minimum	Maximum	Units
Supply voltage	V _{DD}		5.5	V
RF input power	P _{IN}		+15	dBm
Operating temperature	T _{OP}	-40	+85	°C
Storage temperature	T _{STG}	-40	+125	°C
Junction temperature	T _J		+150	°C
Thermal resistance	Θ _{JC}		89	°C/W

Note: Exposure to maximum rating conditions for extended periods may reduce device reliability. There is no damage to device with only one parameter set at the limit and all other parameters set at or below their nominal value. Exceeding any of the limits listed here may result in permanent damage to the device.

CAUTION: Although this device is designed to be as robust as possible, Electrostatic Discharge (ESD) can damage this device. This device must be protected at all times from ESD. Static charges may easily produce potentials of several kilovolts on the human body or equipment, which can discharge without detection. Industry-standard ESD precautions should be used at all times. The SKY67105-306LF is a Class 1B ESD device.

Table 3. SKY67105-306LF Electrical Specifications: V_{DD} = +5 V (Note 1)

(T_{OP} = +25 °C, P_{IN} = -30 dBm, Characteristic Impedance [Z₀] = 50 Ω, Optimized for 850 MHz Operation, Unless Otherwise Noted)

Parameter	Symbol	Test Condition	Min	Typical	Max	Units
RF Specifications						
Noise Figure	NF	@ 850 MHz		0.69	0.89	dB
Small signal gain	IS21I	@ 850 MHz	35	37	39	dB
Input return loss	IS11I	@ 850 MHz	9	12		dB
Output return loss	IS22I	@ 850 MHz	9	12		dB
Reverse isolation	IS12I	@ 850 MHz	53	57		dB
3 rd Order Input Intercept Point	IIP3	@ 850 MHz, Δf = 1 MHz, P _{IN} = -30 dBm/tone	+1	+4		dBm
3 rd Order Output Intercept Point	OIP3	@ 850 MHz, Δf = 1 MHz, P _{IN} = -30 dBm/tone	+38	+41		dBm
1 dB Input Compression Point	IP1dB	@ 850 MHz	-12	-10		dBm
1 dB Output Compression Point	OP1dB	@ 850 MHz	+24	+26		dBm
DC Specifications						
Supply voltage	V _{DD}		3.5	5.0	5.5	V
Quiescent current	I _{DD}	Set with external resistor	120	138	155	mA
Supply current @ IP1dB	I _{DD_P1DB}	Set with external resistor		240	280	mA

Note 1: Performance is guaranteed only under the conditions listed in this Table.

Table 4. SKY67105-306LF Electrical Specifications: $V_{DD} = +4\text{ V}$ (Note 1)
($T_{OP} = +25\text{ }^{\circ}\text{C}$, $P_{IN} = -30\text{ dBm}$, Characteristic Impedance [Z_0] = $50\ \Omega$, Optimized for 850 MHz Operation, Unless Otherwise Noted)

Parameter	Symbol	Test Condition	Min	Typical	Max	Units
RF Specifications						
Noise Figure	NF	@ 850 MHz		0.69		dB
Small signal gain	IS21I	@ 850 MHz		37		dB
Input return loss	IS11I	@ 850 MHz		12		dB
Output return loss	IS22I	@ 850 MHz		12		dB
Reverse isolation	IS12I	@ 850 MHz		57		dB
3 rd Order Input Intercept Point	IIP3	@ 850 MHz, $\Delta f = 1\text{ MHz}$, $P_{IN} = -30\text{ dBm/ tone}$		+2		dBm
3 rd Order Output Intercept Point	OIP3	@ 850 MHz, $\Delta f = 1\text{ MHz}$, $P_{IN} = -30\text{ dBm/ tone}$		+39		dBm
1 dB Input Compression Point	IP1dB	@ 850 MHz		-13		dBm
1 dB Output Compression Point	OP1dB	@ 850 MHz		+24		dBm
DC Specifications						
Supply voltage	V_{DD}			4		V
Quiescent current	I_{DD}	Set with external resistor		115		mA
Supply current @ IP1dB	I_{DD_IP1DB}	Set with external resistor		190		mA

Typical Performance Characteristics

($V_{DD} = +5\text{ V}$, $T_{OP} = +25\text{ }^{\circ}\text{C}$, $P_{IN} = -30\text{ dBm}$, Characteristic Impedance [Z_0] = $50\text{ }\Omega$, Optimized for 850 MHz Operation, Unless Otherwise Noted)

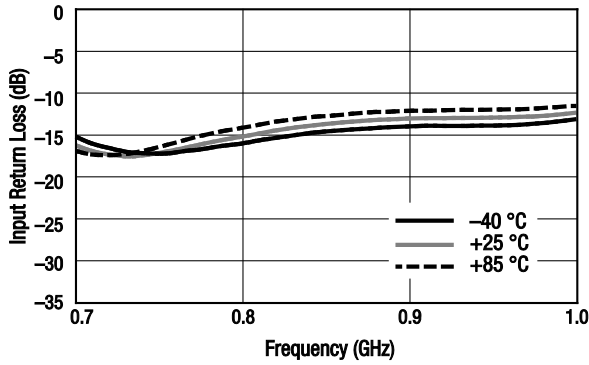


Figure 3. Input Return Loss vs Frequency Over Temperature, Narrow Band

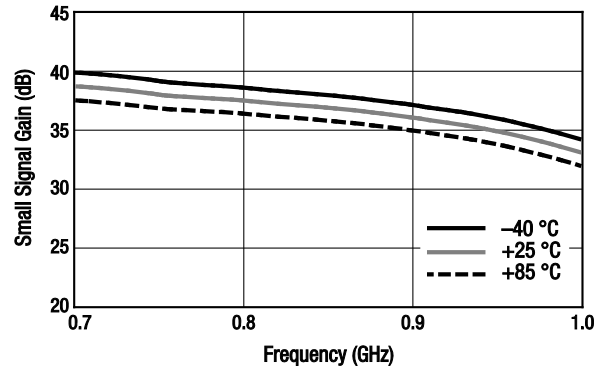


Figure 4. Small Signal Gain vs Frequency Over Temperature, Narrow Band

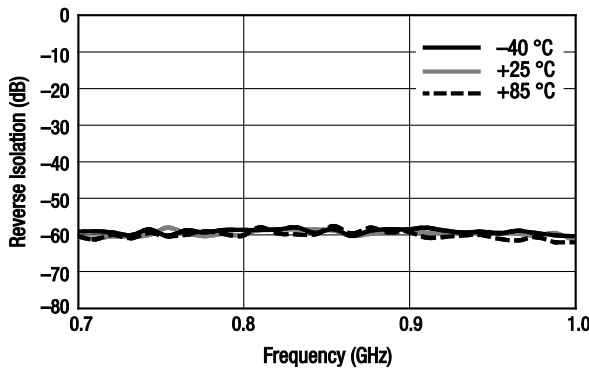


Figure 5. Reverse Isolation vs Frequency Over Temperature, Narrow Band

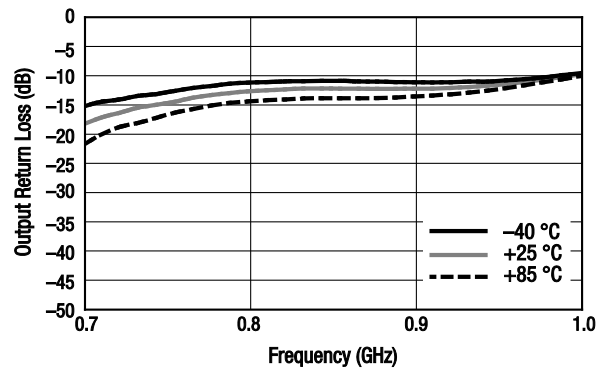


Figure 6. Output Return Loss vs Frequency Over Temperature, Narrow Band

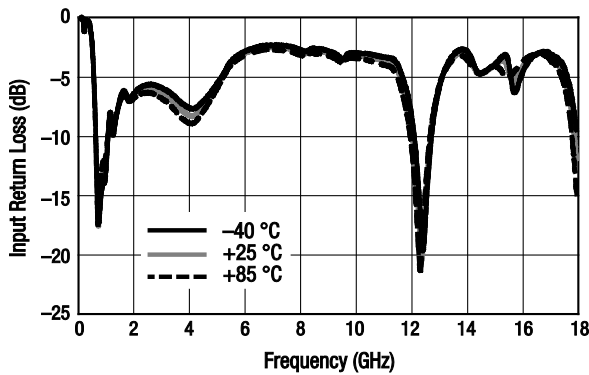


Figure 7. Input Return Loss vs Frequency Over Temperature, Wide Band

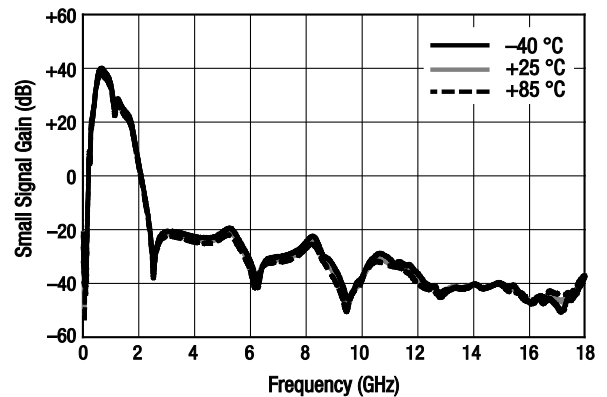


Figure 8. Small Signal Gain vs Frequency Over Temperature, Wide Band

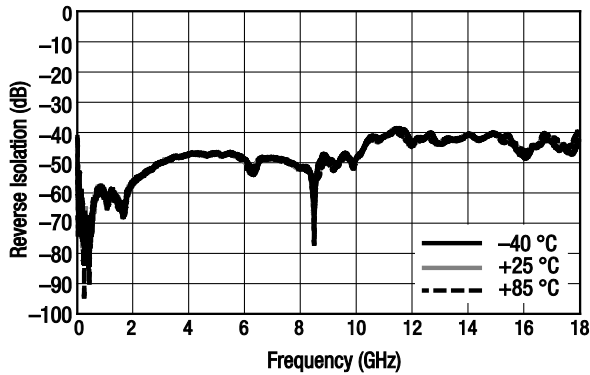


Figure 9. Reverse Isolation vs Frequency Over Temperature, Wide Band

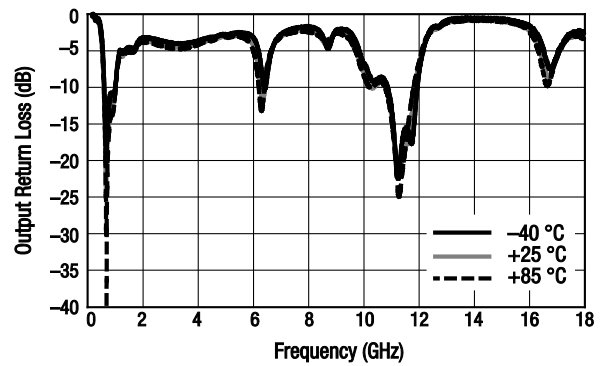


Figure 10. Output Return Loss vs Frequency Over Temperature, Wide Band

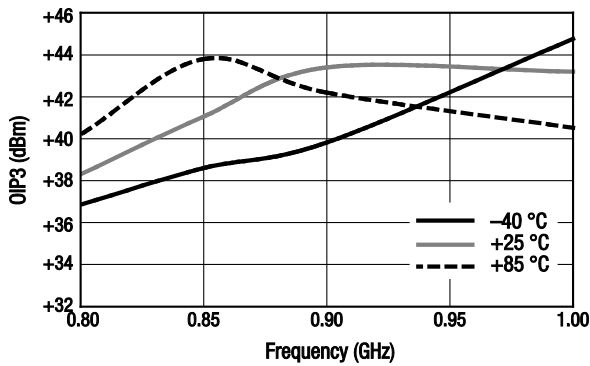


Figure 11. OIP3 vs Frequency Over Temperature

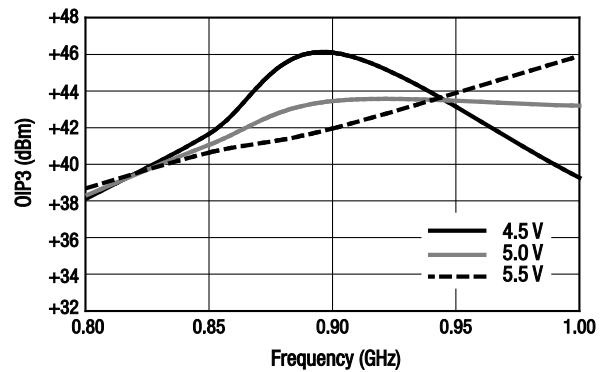


Figure 12. OIP3 vs Frequency Over Voltage

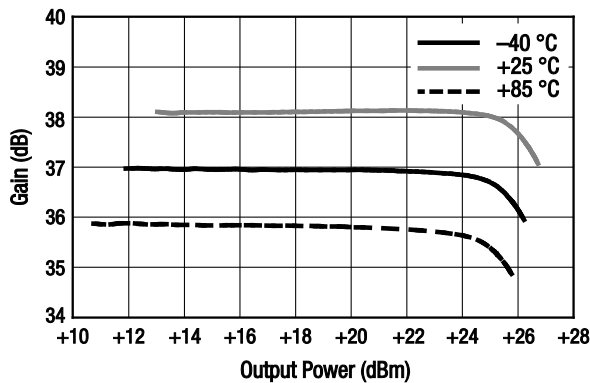


Figure 13. Gain vs Output Power Over Temperature

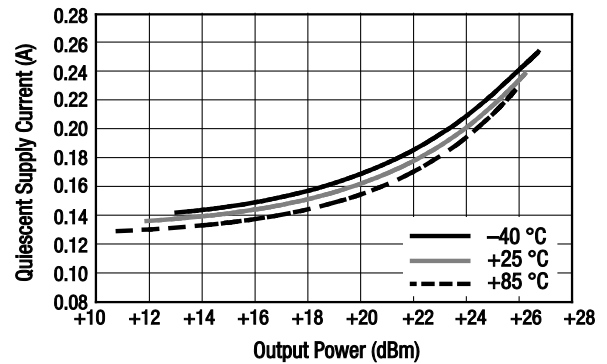


Figure 14. Quiescent Supply Current vs Output Power Over Temperature

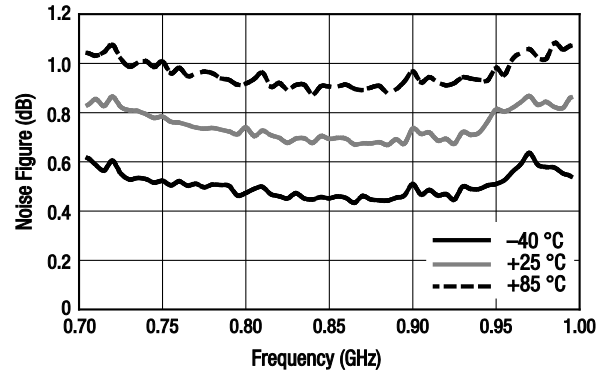


Figure 15. Noise Figure vs Frequency Over Temperature

Evaluation Board Description

The SKY67105-306LF Evaluation Board is used to test the performance of the SKY67105-306LF two-stage LNA. An Evaluation Board schematic diagram is provided in Figure 16. Table 5 provides the Evaluation Board Bill of Materials. An assembly drawing for the Evaluation Board is shown in Figure 17.

Package Dimensions

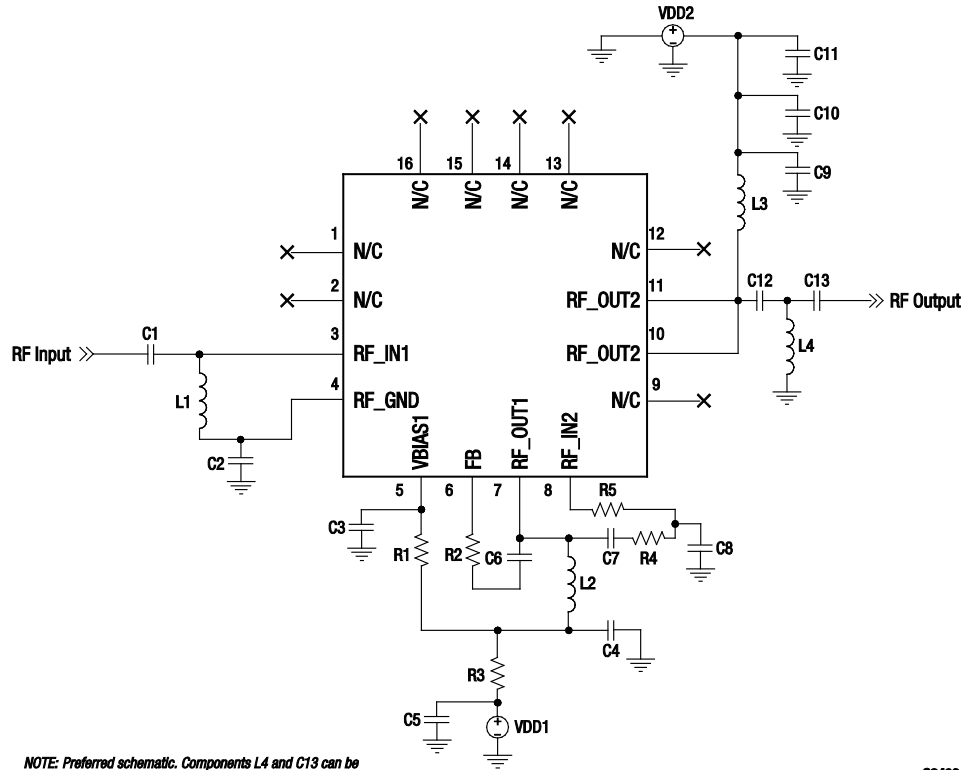
The PCB layout footprint for the SKY67105-306LF is shown in Figure 18. Typical case markings are noted in Figure 19. Package dimensions for the 16-pin QFN are shown in Figure 20, and tape and reel dimensions are provided in Figure 21.

Package and Handling Information

Instructions on the shipping container label regarding exposure to moisture after the container seal is broken must be followed. Otherwise, problems related to moisture absorption may occur when the part is subjected to high temperature during solder assembly.

THE SKY67105-306LF is rated to Moisture Sensitivity Level 1 (MSL1) at 260 °C. It can be used for lead or lead-free soldering. For additional information, refer to the Skyworks Application Note, *Solder Reflow Information*, document number 200164.

Care must be taken when attaching this product, whether it is done manually or in a production solder reflow environment. Production quantities of this product are shipped in a standard tape and reel format.

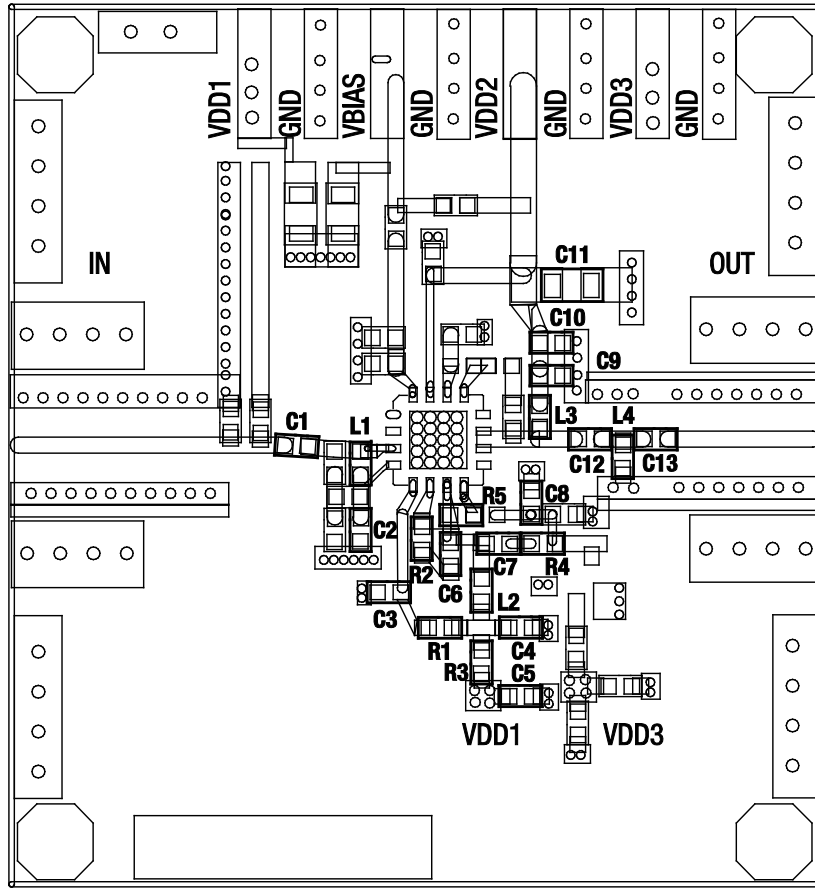


S2409

Figure 16. SKY67105-306LF Evaluation Board Schematic (For 850 MHz and VDD = +5 V)

Table 5. SKY67105-306LF Evaluation Board Bill of Materials (For 850 MHz and VDD = +5 V)

Component	Value	Size	Manufacturer	Manufacturer Part Number
C1	4.7 pF	0402	Murata GJM	
C2	100 pF	0402	Murata GRM	
C3	0.1 μF	0402	Murata GRM	
C4	10 pF	0402	Murata GRM	
C5, C10	1000 pF	0402	Murata GRM	
C6	3.3 pF	0402	Murata GRM	
C7, C13	27 pF	0402	Murata GRM	
C8	5.1 pF	0402	Murata GRM	
C9	68 pF	0402	Murata GRM	
C11	1 μF	0402	Murata GRM	
C12	6.8 pF	0402	Murata GRM	
L1	9 nH	0402	Coilcraft CS	
L2	3.3 nH	0402	TDK MLG	
L3	47 nH	0402	TDK MLG	
L4	6.8 nH	0402	TDK MLG	
R1	3.6 kΩ	0402	Panasonic 1%	
R2	51 Ω	0402	Panasonic 1%	
R3, R4, R5	0 Ω	0402	Panasonic	



S2408

Figure 17. SKY67105-306LF Evaluation Board Assembly Diagram

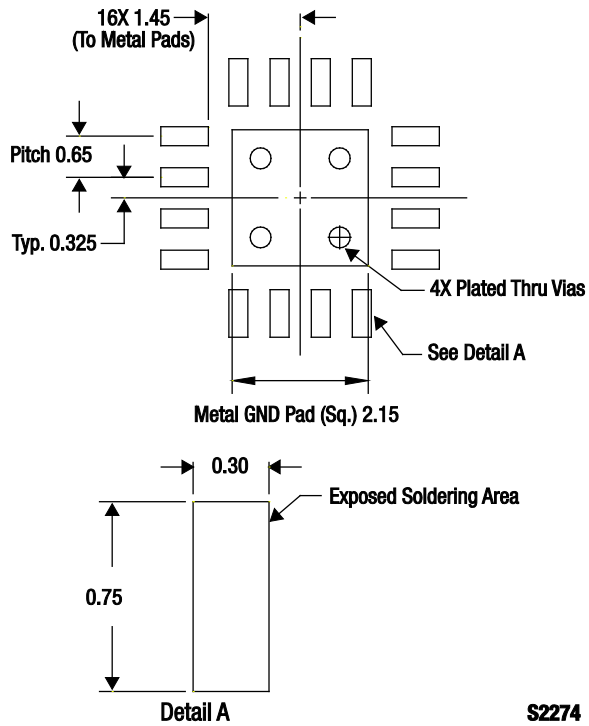


Figure 18. SKY67105-306LF PCB Layout Footprint

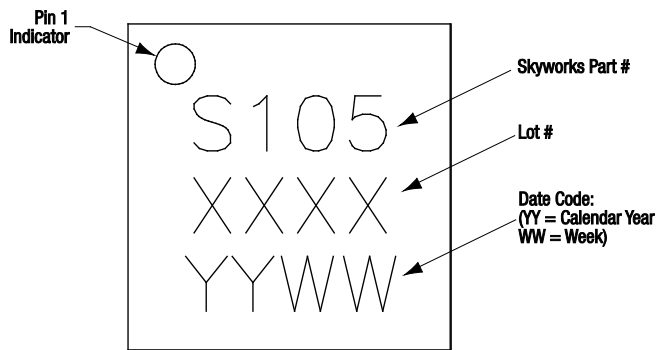
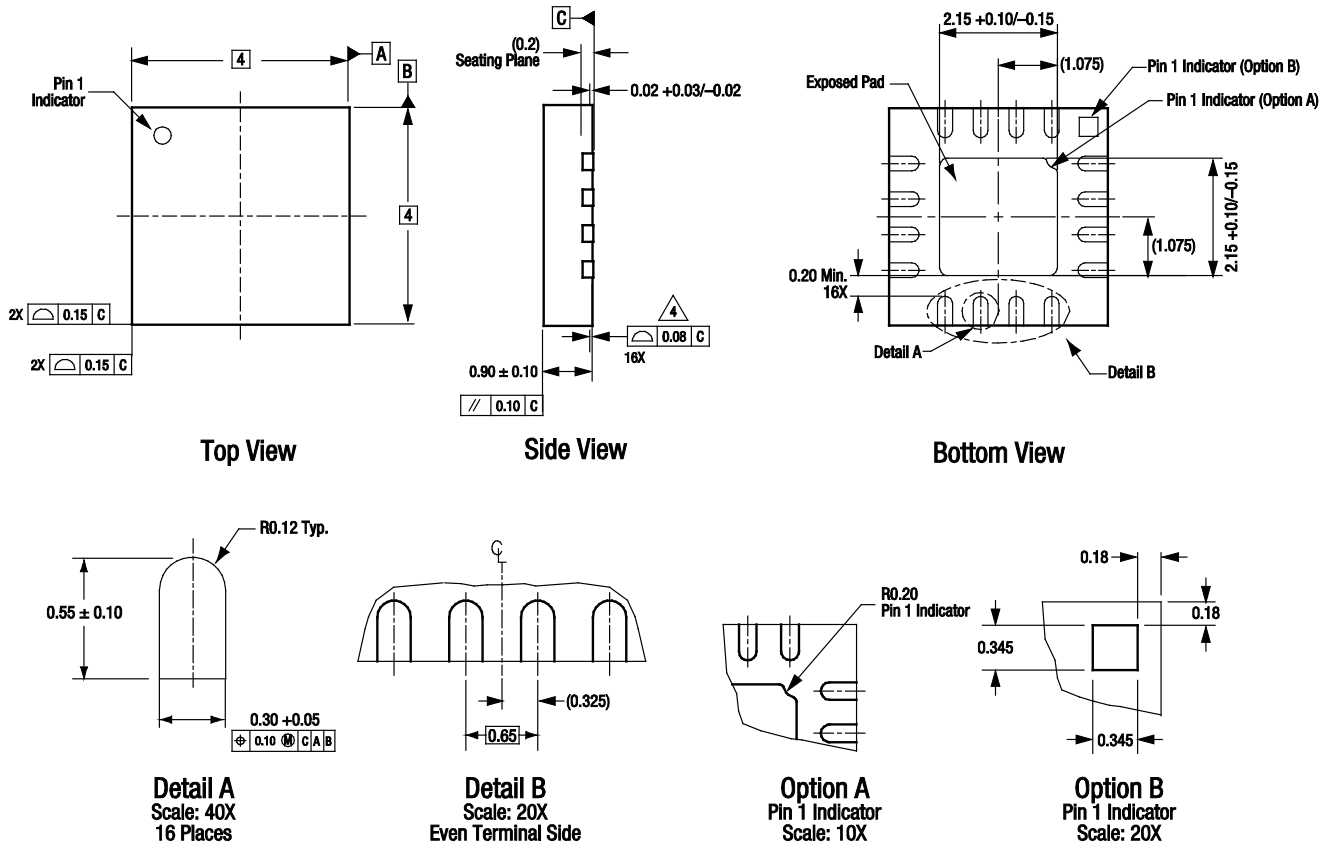


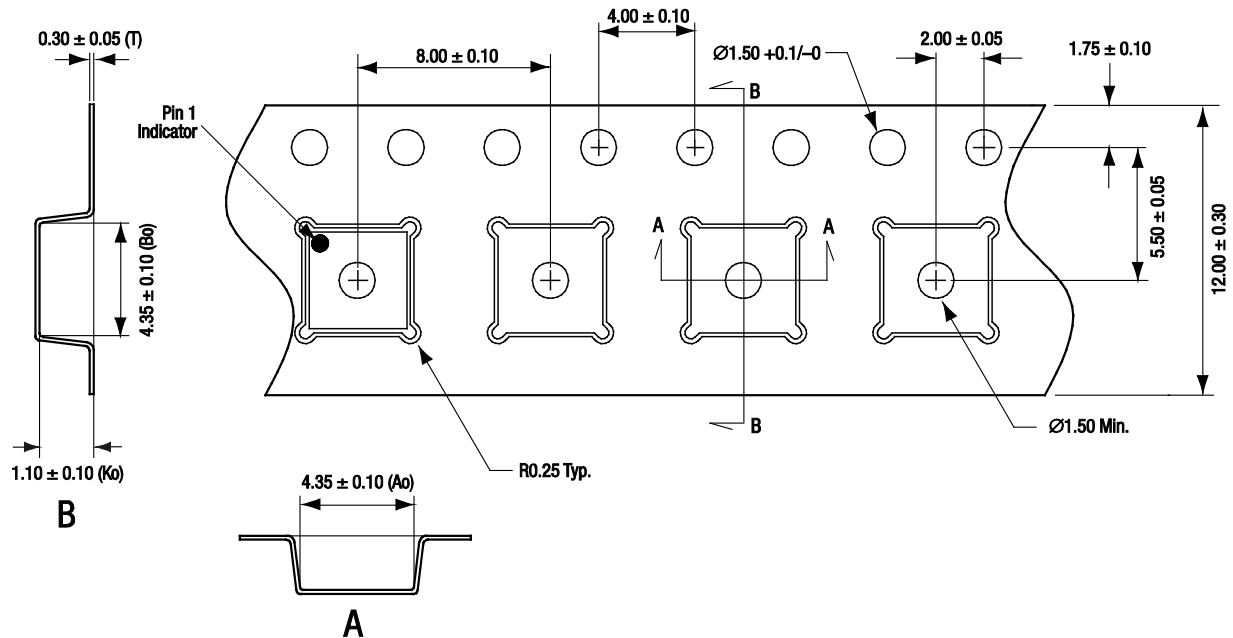
Figure 19. Typical Case Markings



All measurements are in millimeters.
 Dimensioning and tolerancing according to ASME Y14.5M-1994.
 Coplanarity applies to the exposed heat sink slug as well as the terminals.
 Package may have option A or option B pin 1 indicator.

S2400

Figure 20. SKY67105-306LF 16-Pin QFN Package Dimensions



- Notes:**
1. Carrier tape material: black conductive polystyrene, non-bakeable
 2. Cover tape material: transparent conductive HSA
 3. Cover tape size: 9.2 mm width
 4. ESD surface resistivity is $\geq 1 \times 10^8 \sim \leq 1 \times 10^{10}$ Ohms/square per EIA, JEDEC TNR Specification.
 5. All measurements are in millimeters

S1846

Figure 21. SKY67105-306LF Tape and Reel Dimensions

Ordering Information

Model Name	Manufacturing Part Number	Evaluation Board Part Number
SKY67105-306LF Two-Stage LNA	SKY67105-306LF	SKY67105-306LF-EVB

Copyright © 2011 Skyworks Solutions, Inc. All Rights Reserved.

Information in this document is provided in connection with Skyworks Solutions, Inc. ("Skyworks") products or services. These materials, including the information contained herein, are provided by Skyworks as a service to its customers and may be used for informational purposes only by the customer. Skyworks assumes no responsibility for errors or omissions in these materials or the information contained herein. Skyworks may change its documentation, products, services, specifications or product descriptions at any time, without notice. Skyworks makes no commitment to update the materials or information and shall have no responsibility whatsoever for conflicts, incompatibilities, or other difficulties arising from any future changes.

No license, whether express, implied, by estoppel or otherwise, is granted to any intellectual property rights by this document. Skyworks assumes no liability for any materials, products or information provided hereunder, including the sale, distribution, reproduction or use of Skyworks products, information or materials, except as may be provided in Skyworks Terms and Conditions of Sale.

THE MATERIALS, PRODUCTS AND INFORMATION ARE PROVIDED "AS IS" WITHOUT WARRANTY OF ANY KIND, WHETHER EXPRESS, IMPLIED, STATUTORY, OR OTHERWISE, INCLUDING FITNESS FOR A PARTICULAR PURPOSE OR USE, MERCHANTABILITY, PERFORMANCE, QUALITY OR NON-INFRINGEMENT OF ANY INTELLECTUAL PROPERTY RIGHT; ALL SUCH WARRANTIES ARE HEREBY EXPRESSLY DISCLAIMED. SKYWORKS DOES NOT WARRANT THE ACCURACY OR COMPLETENESS OF THE INFORMATION, TEXT, GRAPHICS OR OTHER ITEMS CONTAINED WITHIN THESE MATERIALS. SKYWORKS SHALL NOT BE LIABLE FOR ANY DAMAGES, INCLUDING BUT NOT LIMITED TO ANY SPECIAL, INDIRECT, INCIDENTAL, STATUTORY, OR CONSEQUENTIAL DAMAGES, INCLUDING WITHOUT LIMITATION, LOST REVENUES OR LOST PROFITS THAT MAY RESULT FROM THE USE OF THE MATERIALS OR INFORMATION, WHETHER OR NOT THE RECIPIENT OF MATERIALS HAS BEEN ADVISED OF THE POSSIBILITY OF SUCH DAMAGE.

Skyworks products are not intended for use in medical, lifesaving or life-sustaining applications, or other equipment in which the failure of the Skyworks products could lead to personal injury, death, physical or environmental damage. Skyworks customers using or selling Skyworks products for use in such applications do so at their own risk and agree to fully indemnify Skyworks for any damages resulting from such improper use or sale.

Customers are responsible for their products and applications using Skyworks products, which may deviate from published specifications as a result of design defects, errors, or operation of products outside of published parameters or design specifications. Customers should include design and operating safeguards to minimize these and other risks. Skyworks assumes no liability for applications assistance, customer product design, or damage to any equipment resulting from the use of Skyworks products outside of stated published specifications or parameters.

Skyworks, the Skyworks symbol, and "Breakthrough Simplicity" are trademarks or registered trademarks of Skyworks Solutions, Inc., in the United States and other countries. Third-party brands and names are for identification purposes only, and are the property of their respective owners. Additional information, including relevant terms and conditions, posted at www.skyworksinc.com, are incorporated by reference.