



Chipsmall Limited consists of a professional team with an average of over 10 year of expertise in the distribution of electronic components. Based in Hongkong, we have already established firm and mutual-benefit business relationships with customers from,Europe,America and south Asia,supplying obsolete and hard-to-find components to meet their specific needs.

With the principle of "Quality Parts,Customers Priority,Honest Operation,and Considerate Service",our business mainly focus on the distribution of electronic components. Line cards we deal with include Microchip,ALPS,ROHM,Xilinx,Pulse,ON,Everlight and Freescale. Main products comprise IC,Modules,Potentiometer,IC Socket,Relay,Connector.Our parts cover such applications as commercial,industrial, and automotives areas.

We are looking forward to setting up business relationship with you and hope to provide you with the best service and solution. Let us make a better world for our industry!



## Contact us

Tel: +86-755-8981 8866 Fax: +86-755-8427 6832

Email & Skype: info@chipsmall.com Web: www.chipsmall.com

Address: A1208, Overseas Decoration Building, #122 Zhenhua RD., Futian, Shenzhen, China



## ▶▶▶ Industrial Ethernet Media Converter

The SL-2ES is an industrial Ethernet copper to fiber media converter that provides fast performance allowing for real-time operation. These ruggedized converters are industrial hardened to provide superior reliability. They require no user setup and immediately start operating as soon as you power them up.

### PRODUCT HIGHLIGHTS

- Slim packaging fits on your DIN rail
- High performance and value
- Truly industrial hardened design
- Dual power inputs keeps you running
- Plug & play saves you time and money
- UL/CSA, CE, Hazardous Locations (Zone 2) and Maritime rated
- Ultra-reliable 1,000,000+ hours MTBF

### ETHERNET COMPLIANCE

- IEEE 802.3 (10Mbps Ethernet supports legacy devices)
- IEEE 802.3u (Fast Ethernet 100Mbps for newer devices)
- IEEE 802.3x (Full-Duplex with Flow Control)

### ETHERNET PERFORMANCE

- 2 Ethernet ports: 1 copper and 1 fiber
- Ethernet protocols supported: all IEEE 802.3
- RJ45 port (shielded): 10/100BaseTX
- RJ45 speed (10 or 100 Mbps): auto-negotiation
- RJ45 MDI/MDIX: auto-crossover and TD/RD auto-polarity
- Fiber optic port speed: 100BaseFX (100 Mbps)
- Fiber optic port wavelength typical: 1300 nm center typ.
- Fiber multimode (mm) typical: 50 or 62.5/125 um (SC or ST)
- Fiber singlemode (sm) typical: 9 or 10/125 um (SC or ST)
- Fiber max. distance: (full duplex) 4 km (mm), 20 (sm) or 40 km (long haul) or more
- Typ. latency for 100 Mbps ports: 5 us + frame time; varies on load
- Fiber duplex operation: Full
- MAC addresses supported: 1024
- Memory bandwidth: 3.2 Gbps
- Ethernet isolation: 1500 VRMS 1 minute



### POWER INPUT

- Input power (typical): 2.0 W (all ports active)
- Redundant power inputs: 10-30 VDC
- Transient protection: 15,000 watts peak
- Spike Protection: 5,000 watts (10 times for 10 uS)

### ENVIRONMENTAL

- Operating temperature range: -10 to +60 °C
- Storage temperature range: -40 to +85 °C
- Humidity (non-condensing): 5 to 95% RH
- Vibration: IEC60068-2-6

### STANDARDS COMPLIANCE

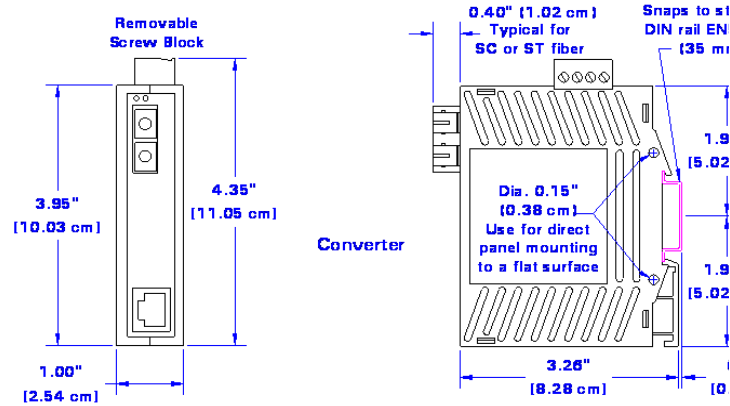
- Electrical safety: UL508/CSA C22.2/14, EN61010-1, CE
- EMI emissions: FCC part 15, ICES-003; EN61000-6-4, CE
- EMC immunity: EN61000-6-2, CE
- Hazardous locations: UL1604/CSA C22.2/213 (Class I, Div. 2); EN60079-15 (Zone 2, Category 3), CE (ATEX)
- Maritime: Rated for marine & offshore per ABS
- Eye safety (fiber models): IEC60825-1, Class 1; FDA 21 CFR 1040.10 and 1040.11

### PHYSICAL

- DIN rail or direct panel mounting
- Case: UL94V0 Lexan with IP30 protection
- Dimensions: see mechanical drawing
- Weight (typical): 0.11Kg (4oz.)

All specifications are subject to change. Consult factory for latest info.

## MECHANICAL DRAWING



### ORDERING GUIDE

<b>SL-2ES-2SC</b>	1 RJ45 port & 1 multimode fiber optic port with SC or ST style connector, 4 Km
<b>SL-2ES-2ST</b>	1 RJ45 port & 1 multimode fiber optic port with SC or ST style connector, 4 Km
<b>SL-2ES-3SC</b>	1 RJ45 port & 1 singlemode fiber optic port with SC or ST style connector, 20 Km
<b>SL-2ES-3ST</b>	1 RJ45 port & 1 singlemode fiber optic port with SC or ST style connector, 20 Km
<b>SL-2ES-3SCL</b>	1 RJ45 port & 1 singlemode fiber optic port with SC or ST style connector, 60 Km
<b>SL-2ES-3STL</b>	1 RJ45 port & 1 singlemode fiber optic port with SC or ST style connector, 60 Km

### ACCESSORIES

<b>SP-ETH-2</b>	Dual port 10/100 RJ45 lightning protector
<b>ET-PS-024-02</b>	AC to 24 VDC, 2A, power supply

Contact Sixnet for special or long haul fiber transceivers up to 120km



[www.redlion.net](http://www.redlion.net)

Connect. Monitor. Control.

**Americas**  
sales@redlion.net

**Asia-Pacific**  
asia@redlion.net

**Europe  
Middle East  
Africa**  
europe@redlion.net

+1 (717) 767-6511

As the global experts in communication, monitoring and control for industrial automation and networking, Red Lion has been delivering innovative solutions for over forty years. Our award-winning technology enables companies worldwide to gain real-time data visibility that drives productivity. Product brands include Red Lion, N-Tron and Sixnet. With headquarters in York, Pennsylvania, the company has offices across the Americas, Asia-Pacific and Europe. For more information, please visit [www.redlion.net](http://www.redlion.net). Red Lion is a Spectris company.