



Chipsmall Limited consists of a professional team with an average of over 10 year of expertise in the distribution of electronic components. Based in Hongkong, we have already established firm and mutual-benefit business relationships with customers from,Europe,America and south Asia,supplying obsolete and hard-to-find components to meet their specific needs.

With the principle of “Quality Parts,Customers Priority,Honest Operation,and Considerate Service”,our business mainly focus on the distribution of electronic components. Line cards we deal with include Microchip,ALPS,ROHM,Xilinx,Pulse,ON,Everlight and Freescale. Main products comprise IC,Modules,Potentiometer,IC Socket,Relay,Connector.Our parts cover such applications as commercial,industrial, and automotives areas.

We are looking forward to setting up business relationship with you and hope to provide you with the best service and solution. Let us make a better world for our industry!



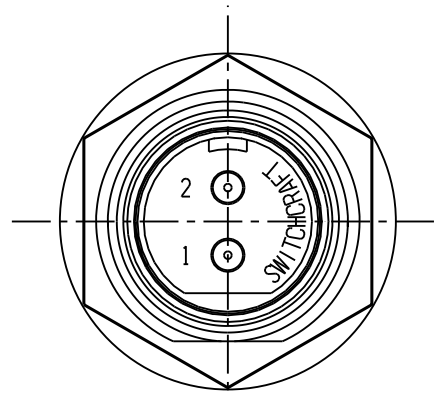
Contact us

Tel: +86-755-8981 8866 Fax: +86-755-8427 6832

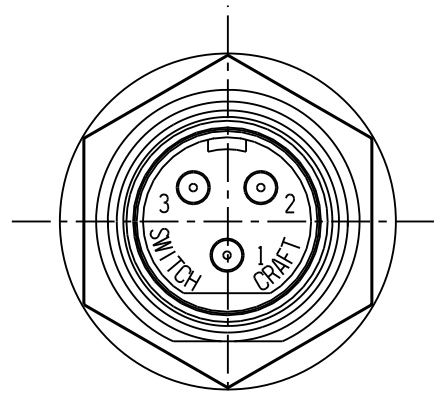
Email & Skype: info@chipsmall.com Web: www.chipsmall.com

Address: A1208, Overseas Decoration Building, #122 Zhenhua RD., Futian, Shenzhen, China

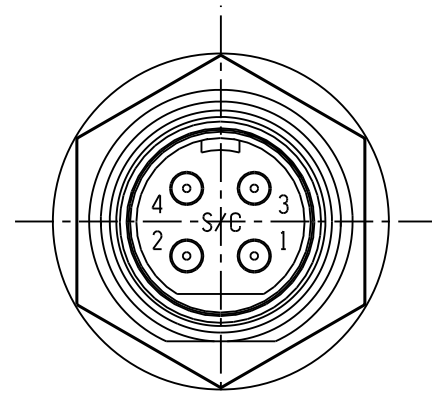




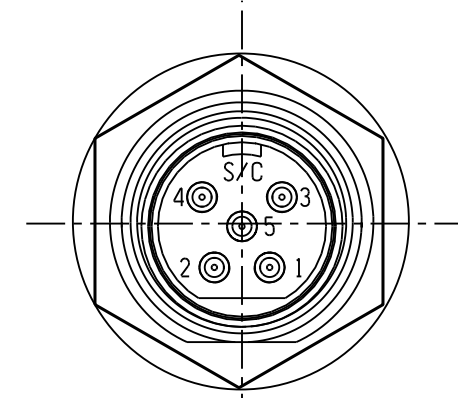
SL172MX
2PIN



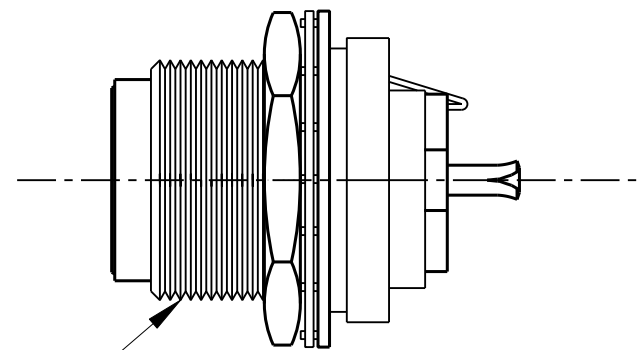
SL173MX
3PIN



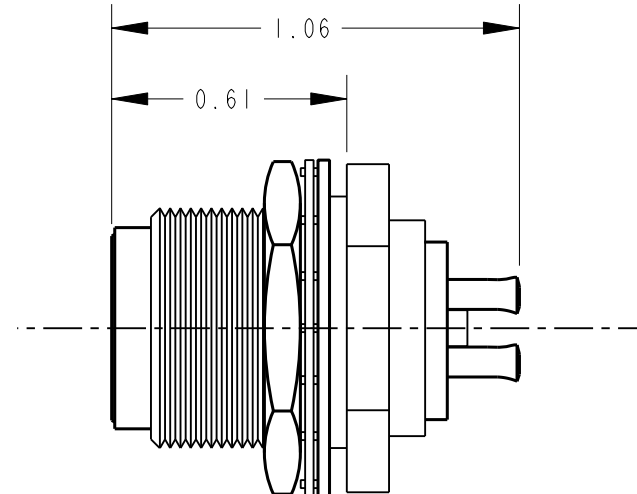
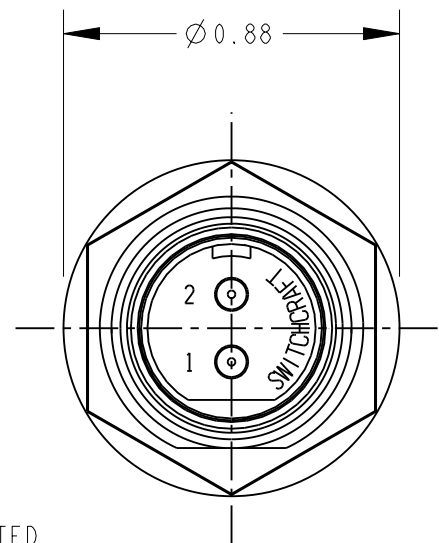
SL174MX
4PIN



SL175MX
5PIN



5/8-27 UNS-2A
THREAD



PART NUMBER	NUMBER OF CONTACT PINS
SL172MX	2
SL173MX	3
SL174MX	4
SL175MX	5

CUSTOMER DRAWING

NOTES:

- MATERIALS:
HOUSING - ZINC ALLOY, NICKEL PLATED
INSULATOR - THERMOPLASTIC, BLACK
CONTACT PINS - COPPER ALLOY, SILVER PLATED
LATCH - STEEL, NICKEL PLATED
HEX NUT - BRASS, NICKEL PLATED
LOCK WASHER - STEEL, NICKEL PLATED
FLAT WASHER - STEEL, NICKEL PLATED
- HOUSING, INSULATOR ASSEMBLY AND HARDWARE SHIPPED UNASSEMBLED.
- THESE PRODUCTS ARE RoHS COMPLIANT.

REV	ECO NUMBER	DATE	BY	APVD
A	26150	9-15-06	TO	TJK
REVISIONS				

- ★ STAR SYMBOL DENOTES CRITICAL DIMENSION
- UNLESS OTHERWISE SPECIFIED
- 1. ALL DIMENSIONS IN INCHES
- TWO PLACE DECIMALS ±0.01
- THREE PLACE DECIMALS ±0.005
- ANGLES ±1°
- ALL DIA. CONCENTRIC WITHIN 0.005 T.I.R.
- 2. FEATURES ON THE SAME CENTERLINE MUST BE ALIGNED WITHIN ±0.002
- 3. REMOVE ALL BURRS

DO NOT SCALE DRAWING

THIS DRAWING DESCRIBES A DESIGN CONSIDERED PROPRIETARY IN NATURE, DEVELOPED AND MANUFACTURED BY SWITCHCRAFT INC. AND IS RELEASED ON A CONFIDENTIAL BASIS FOR IDENTIFICATION PURPOSES ONLY.									
SIZE		WIDTH		MULT		LBS/M		TEMPER	
FINISH					MATERIAL				
SPEC No.					SPEC No.				
FIRST USED ON				SCALE					
				NONE					
DATE DRAWN	BY	CHKD	APVD	Switchcraft [®]					
06-Jan-11	TO	TO	TJK						
				SHEET		OF		REV	
				1		1		A	
NAME SLIM-LINE MALE REAR PANEL MOUNT CONNECTOR, RoHS								PART No. SL17_MX SERIES	