



Chipsmall Limited consists of a professional team with an average of over 10 year of expertise in the distribution of electronic components. Based in Hongkong, we have already established firm and mutual-benefit business relationships with customers from,Europe,America and south Asia,supplying obsolete and hard-to-find components to meet their specific needs.

With the principle of "Quality Parts,Customers Priority,Honest Operation,and Considerate Service",our business mainly focus on the distribution of electronic components. Line cards we deal with include Microchip,ALPS,ROHM,Xilinx,Pulse,ON,Everlight and Freescale. Main products comprise IC,Modules,Potentiometer,IC Socket,Relay,Connector.Our parts cover such applications as commercial,industrial, and automotives areas.

We are looking forward to setting up business relationship with you and hope to provide you with the best service and solution. Let us make a better world for our industry!



Contact us

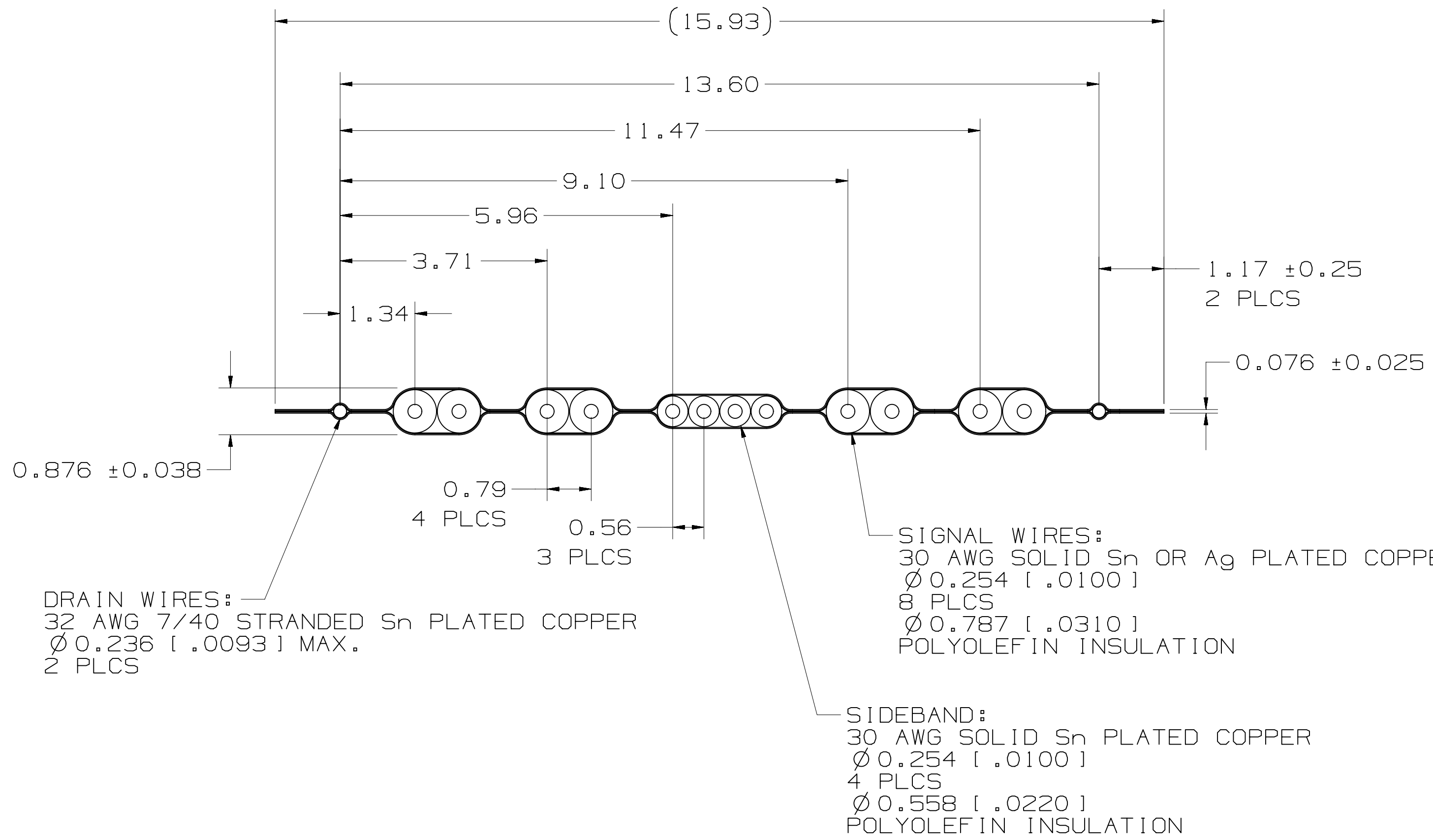
Tel: +86-755-8981 8866 Fax: +86-755-8427 6832

Email & Skype: info@chipsmall.com Web: www.chipsmall.com

Address: A1208, Overseas Decoration Building, #122 Zhenhua RD., Futian, Shenzhen, China



3M™ TWIN AXIAL CABLE, SL8800 SERIES



DRAIN WIRES:
 32 AWG 7/40 STRANDED Sn PLATED COPPER
 Ø 0.236 [.0093] MAX.
 2 PLCS

SIGNAL WIRES:
 30 AWG SOLID Sn OR Ag PLATED COPPER
 Ø 0.254 [.0100]
 8 PLCS
 Ø 0.787 [.0310]
 POLYOLEFIN INSULATION

SIDEBAND:
 30 AWG SOLID Sn PLATED COPPER
 Ø 0.254 [.0100]
 4 PLCS
 Ø 0.558 [.0220]
 POLYOLEFIN INSULATION

PLATING OPTION	PART NUMBER
Ag	SL8801/12-101A5-00
Sn	SL8801/12/111A5-00

- NOTES
- DIMENSIONS ARE IN MILLIMETERS.
 - PHYSICAL:
 INSULATION MATERIAL: POLYOLEFIN
 COLOR: SILVER
 MARKING: NONE
 - ELECTRICAL:
 IMPEDANCE: 100 ±5 OHMS
 - PRODUCT SPECIFICATION: # PS-0079
 - THIS UNIQUE CABLE CONSTRUCTION HAS A THIN ALUMINUM INNER LAYER EXPOSED AT EACH EDGE. USERS SHOULD ASSESS WHETHER THE EXPOSED EDGE PRESENTS A SHORTING RISK IN THEIR SPECIFIC APPLICATION. INSULATING TAPE MAY BE APPLIED AT THE CABLE ASSEMBLY LEVEL, AS NEEDED TO COVER THIS EXPOSED EDGE IN RISK AREAS.
 - REGULATORY INFORMATION:
 ROHS COMPLIANT. SEE THE REGULATORY INFORMATION APPENDIX (RIA) IN THE "ROHS COMPLIANCE" SECTION OF WWW.3MCONNECTOR.COM FOR COMPLIANCE INFORMATION (RIA E1 & C1 APPLY)

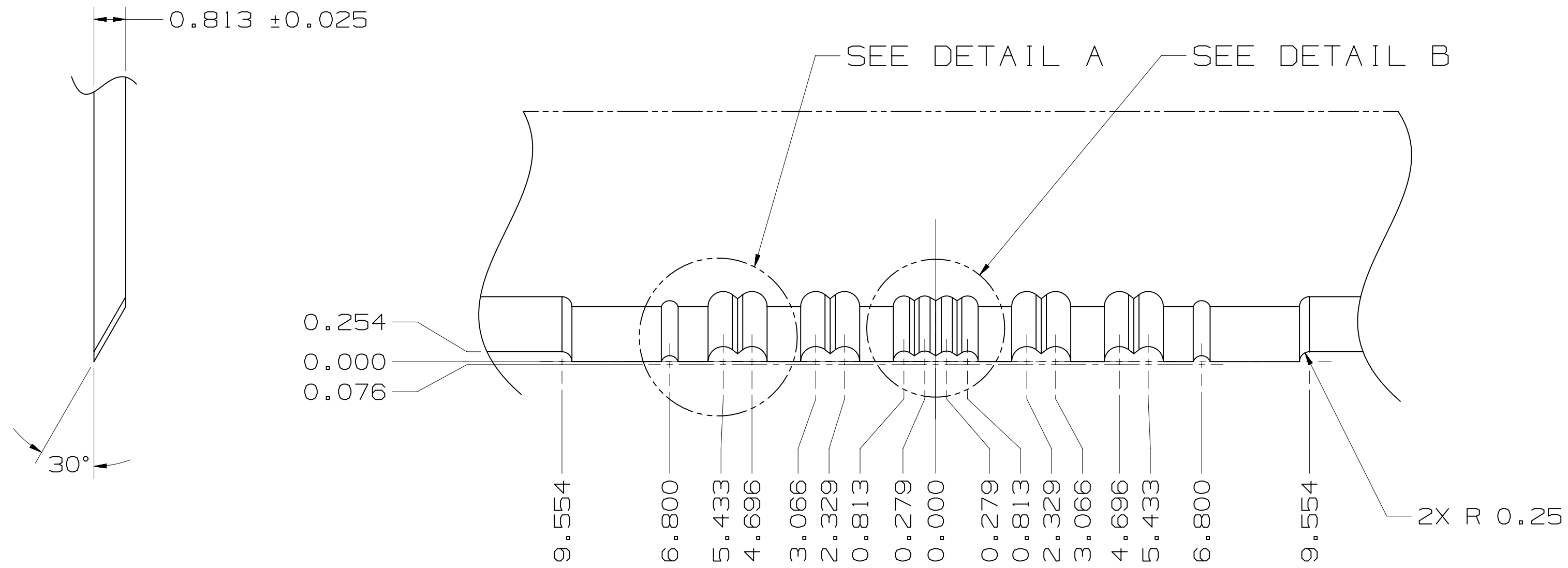
 UL FILE NUMBER: E42769
 - FOIL-STRIPPING PROFILED BLADE DESIGN
 DRAWING: 12-2678-5169-4

Visit <http://www.3mconnector.com>

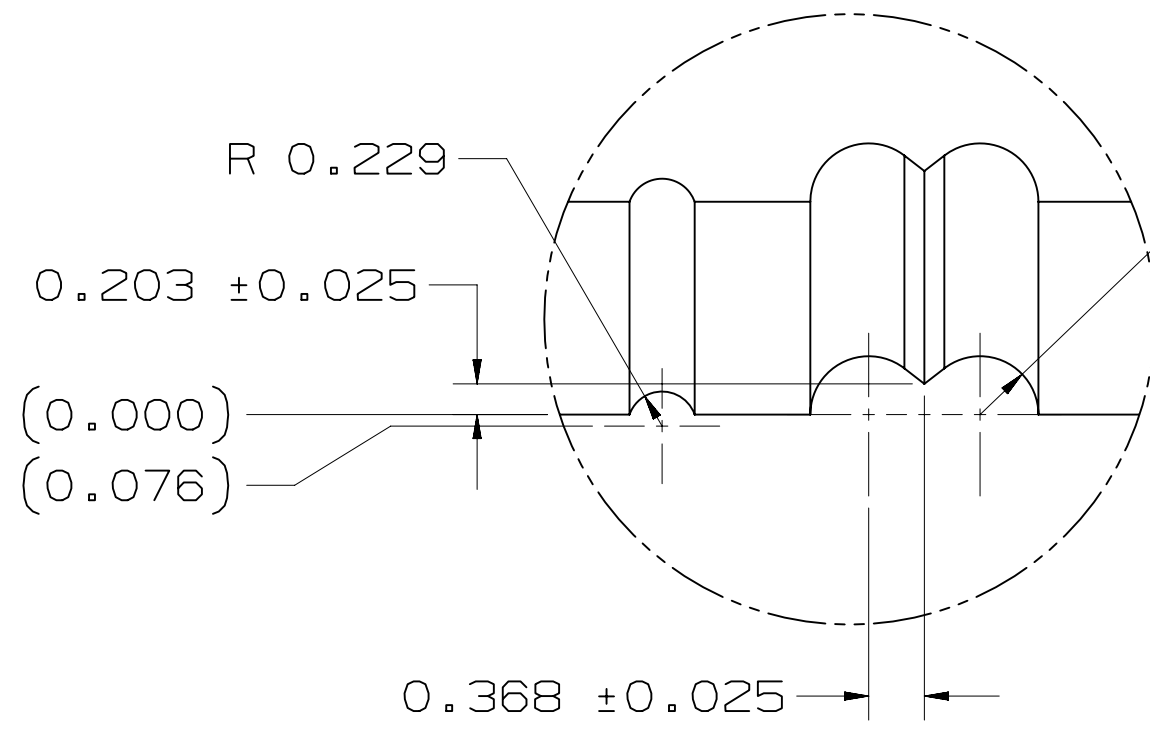
DESIGN REFERENCE	NEXT ASSEMBLY	B 32780 MAR 04,2011 LDS DD	
		A 30467 AUG 09,2010 ML ML	
		REV ECO ISSUE DATE AND DESCRIPTION DRFT CHKD	
		DRFT L SCHMIDT DATE MAR 04,2011 MFG DATE	
		CHKD DATE APPVL DATE	
DO NOT SCALE DRAWING SCALE NTS TOLERANCES EXCEPT AS NOTED INCHES .0 ± .00 ± .000 ± .0000 ± MILLIMETERS 0 ± .0 ± .00 ± .10 .000 ± ANGLES ±1°		3M 3M Center St. Paul, MN 55144 © 3M COPYRIGHT 2011 This document and the information it contains are 3M property and may not be reproduced or further distributed without 3M permission, or used or disclosed other than for 3M authorized purposes. All rights reserved.	
THIRD ANGLE PROJECTION INTERPRET PER ASME Y14.5 - 1994 MAX SURFACE ROUGHNESS 125 <input type="checkbox"/> ALL SURFACES <input checked="" type="checkbox"/> MARKED ONLY		TITLE 3M RIBBON TWIN AXIAL CABLE, SL8801/12, 4 PAIR, 4 SIDEBANDS IN MIDDLE, 2 DRAINS CAGE NUMBER SIZE DRAWING NO. REV. C 78-5100-2360-5 B	
		MODEL DET. SHT 1 OF 3 <input type="checkbox"/> YES <input checked="" type="checkbox"/> NO	

3M™ TWIN AXIAL CABLE, SL8800 SERIES
STRIPPING BLADE AND GUIDE DETAILS

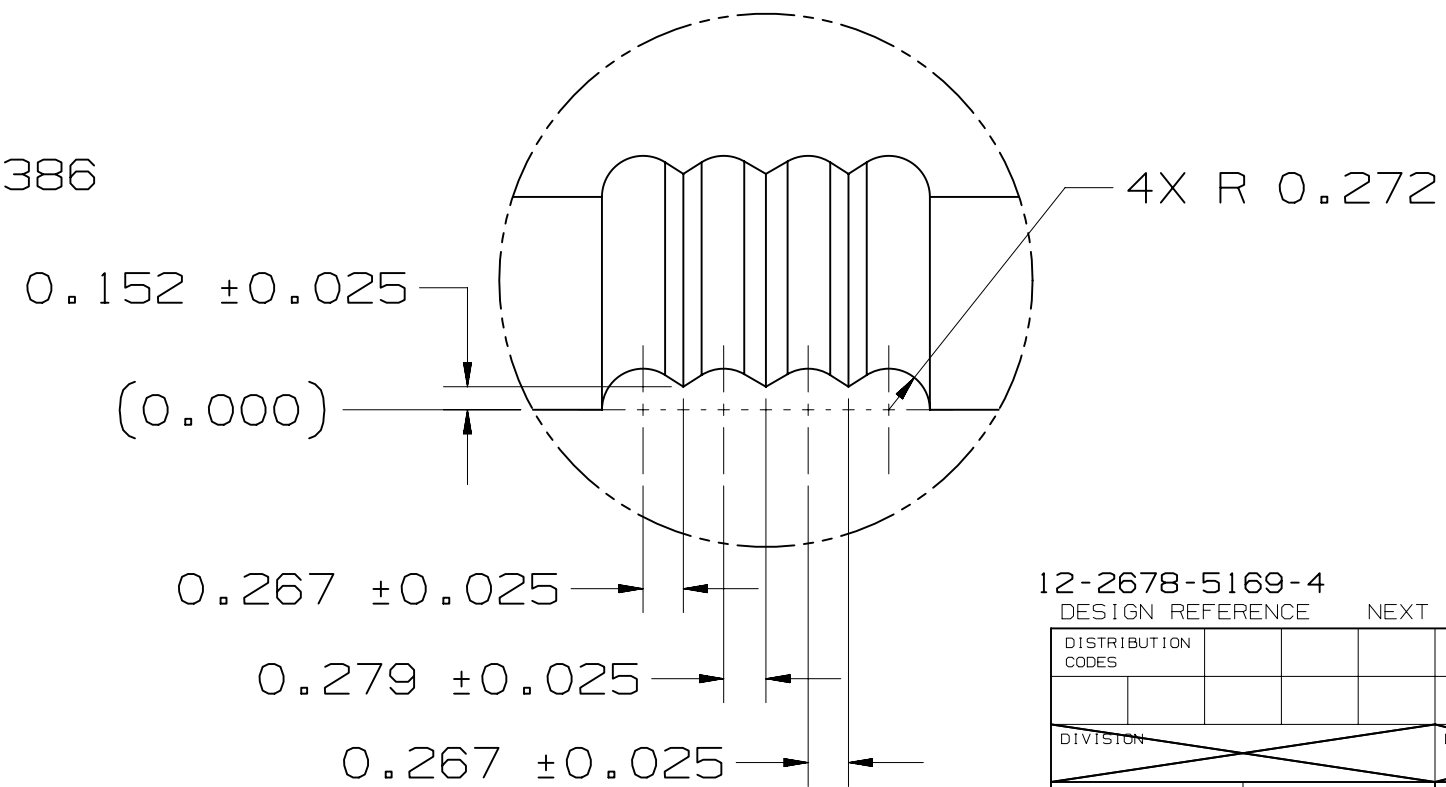
NOTES	
1.	MATERIAL: 1095 SPRING STEEL, BLUE TEMPERED AND POLISHED, ASTM 682



RECOMMENDED PROFILE
FOR FOIL STRIPPER BLADE



DETAIL A
SCALE 20:1
TYP



DETAIL B
SCALE 20:1

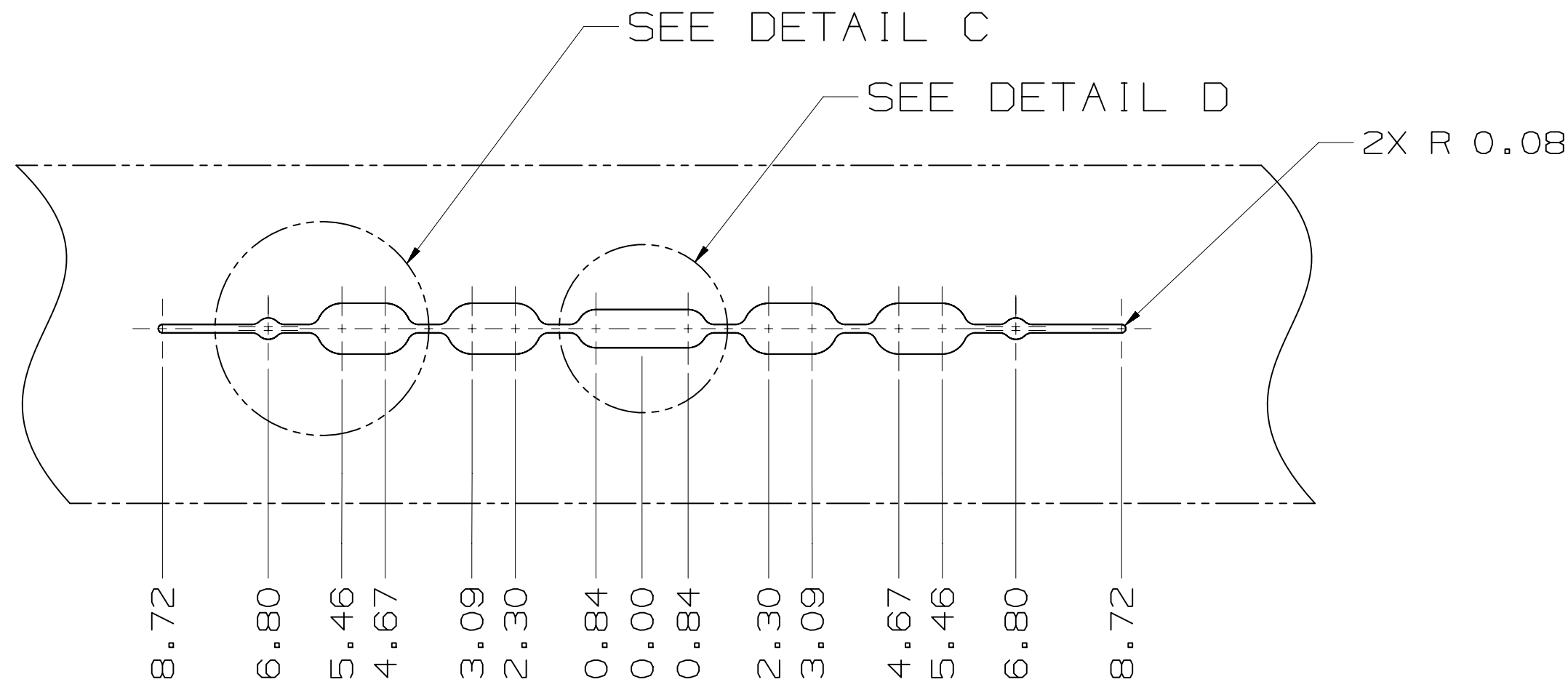
12-2678-5169-4
DESIGN REFERENCE NEXT ASSEMBLY

DISTRIBUTION CODES					
DIVISION	X		X		
DO NOT SCALE DRAWING	SCALE NTS	TOLERANCES EXCEPT AS NOTED			
THIRD ANGLE PROJECTION		INCHES			
INTERPRET PER ASME Y14.5 - 1994		MILLIMETERS			
MAX SURFACE ROUGHNESS		ANGLES ±1°			
125	<input type="checkbox"/> ALL SURFACES	.000 ± .005			
	<input checked="" type="checkbox"/> MARKED ONLY				

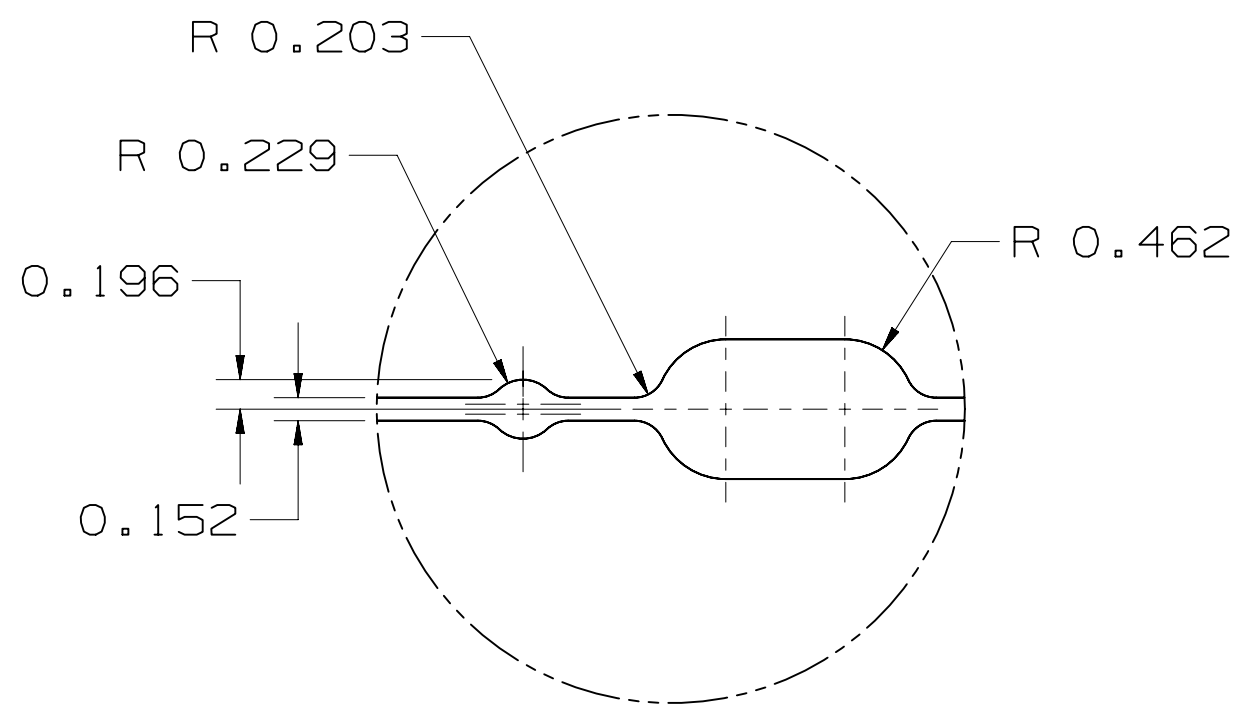
B	32780	MAR 04, 2011	LDS	DD
		REVISED & REDRAWN		
A	30467	AUG 09, 2010	ML	ML
REV ECO		ISSUE DATE AND DESCRIPTION	DRFT	CHKD
DRFT L SCHMIDT		DATE MAR 04, 2011	MFG DATE	
CHKD		DATE	APPVL DATE	
3M		© 3M COPYRIGHT 2011		
3M Center St. Paul, MN 55144		This document and the information it contains are 3M property and may not be reproduced or further distributed without 3M permission, or used or disclosed other than for 3M authorized purposes. All rights reserved.		
TITLE				
3M RIBBON TWIN AXIAL CABLE, SL8801/12, 4 PAIR, 4 SIDEBANDS IN MIDDLE, 2 DRAINS				
CAGE NUMBER	SIZE	DRAWING NO.	REV.	
C		78-5100-2360-5	B	
MODEL		DET. LISTS	<input type="checkbox"/> YES	<input checked="" type="checkbox"/> NO
		SHT 2 OF 3		

3M™ TWIN AXIAL CABLE, SL8800 SERIES
STRIPPING BLADE AND GUIDE DETAILS

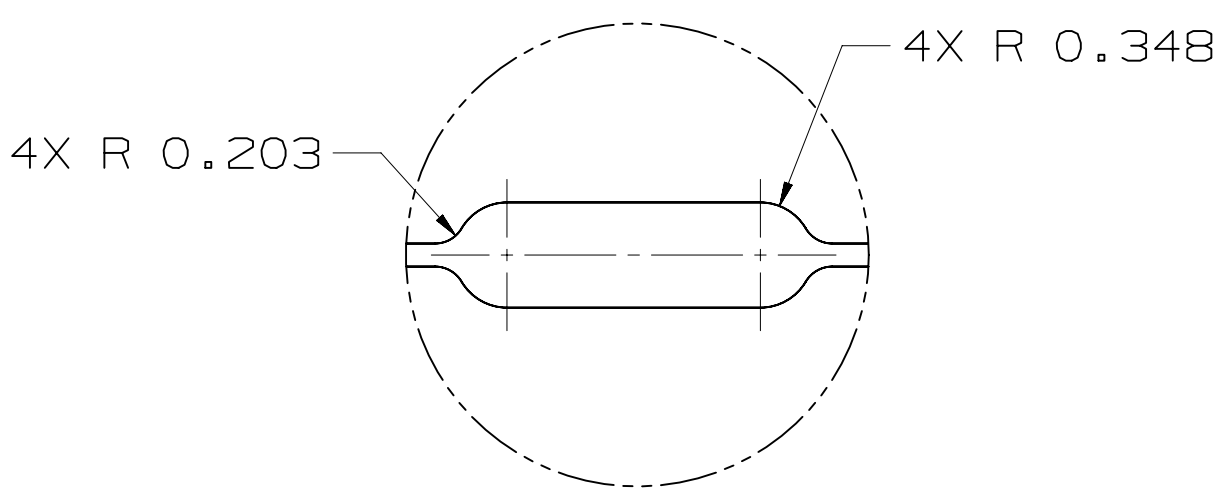
NOTES	
1.	MATERIAL: 420 STAINLESS STEEL



RECOMMENDED PROFILE
FOR CABLE GUIDE



DETAIL C
SCALE 20:1
TYP



DETAIL D
SCALE 20:1

B	32780	MAR 04, 2011	LDS	DD
A	30467	AUG 09, 2010	ML	ML
REV	ECO	ISSUE DATE AND DESCRIPTION	DRFT	CHKD
DRFT	L SCHMIDT	DATE MAR 04, 2011	MFG	DATE
CHKD		DATE	APPVL	DATE
DISTRIBUTION CODES		DATE		
DIVISION		DIVISION CODE		
DO NOT SCALE DRAWING		SCALE NTS		
THIRD ANGLE PROJECTION		TOLERANCES EXCEPT AS NOTED		
INTERPRET PER ASME Y14.5 - 1994		INCHES		
MAX SURFACE ROUGHNESS		MILLIMETERS		
125		.0 ±		
☐ ALL SURFACES		.00 ±		
☒ MARKED ONLY		.000 ±		
		.0000 ±		
		.0 ±		
		0 ±		
		.0 ±		
		.00 ± .12		
		.000 ± .005		
		ANGLES ± 1°		
TITLE		© 3M COPYRIGHT 2011		
3M		3M Center St. Paul, MN 55144		
3M RIBBON TWIN AXIAL CABLE, SL8801/12, 4 PAIR, 4 SIDEBANDS IN MIDDLE, 2 DRAINS		This document and the information it contains are 3M property and may not be reproduced or further distributed without 3M permission, or used or disclosed other than for 3M authorized purposes. All rights reserved.		
CAGE NUMBER	SIZE	DRAWING NO.	REV.	
C		78-5100-2360-5	B	
MODEL	DET. LISTS		YES	NO
			☐	☒
		SHT 3 OF 3		

78-5100-2360-5
DRAWING NUMBER
B
REVISION